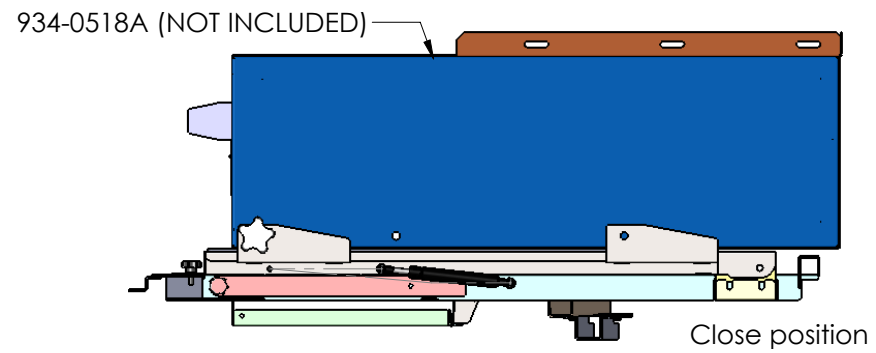
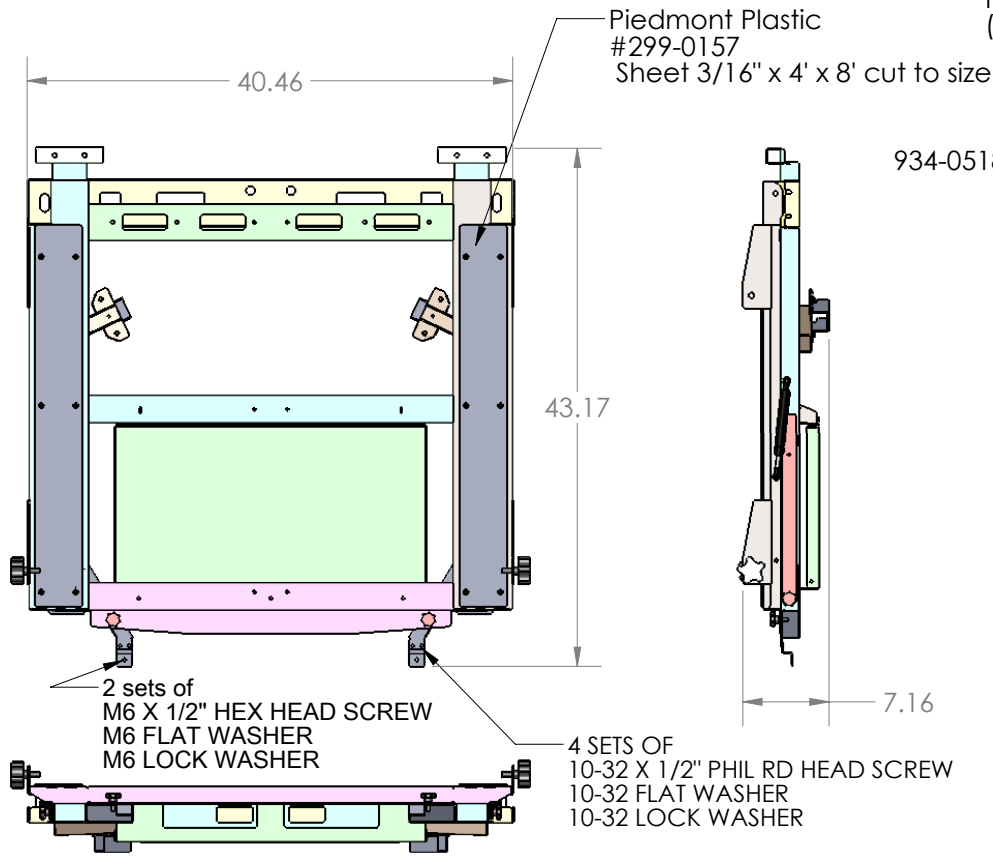
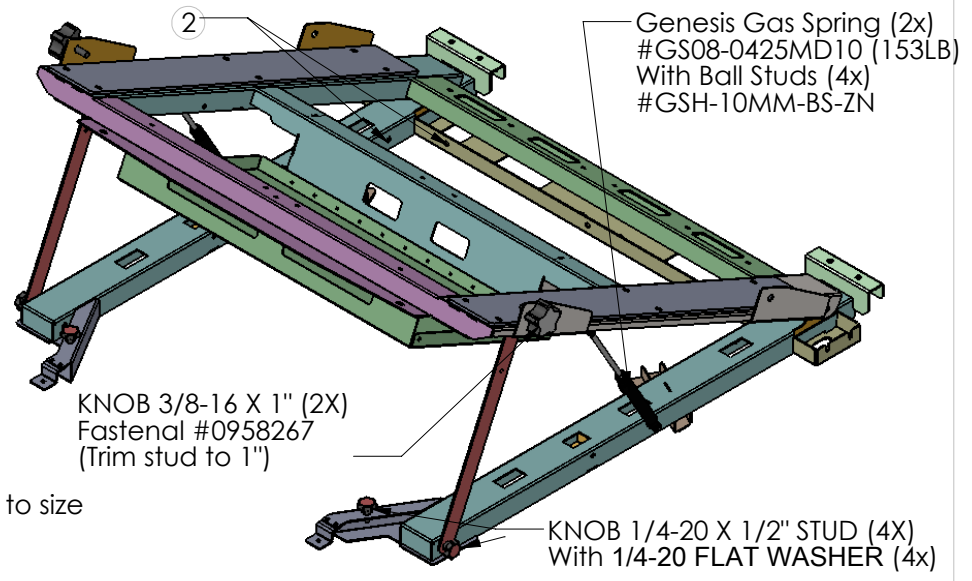
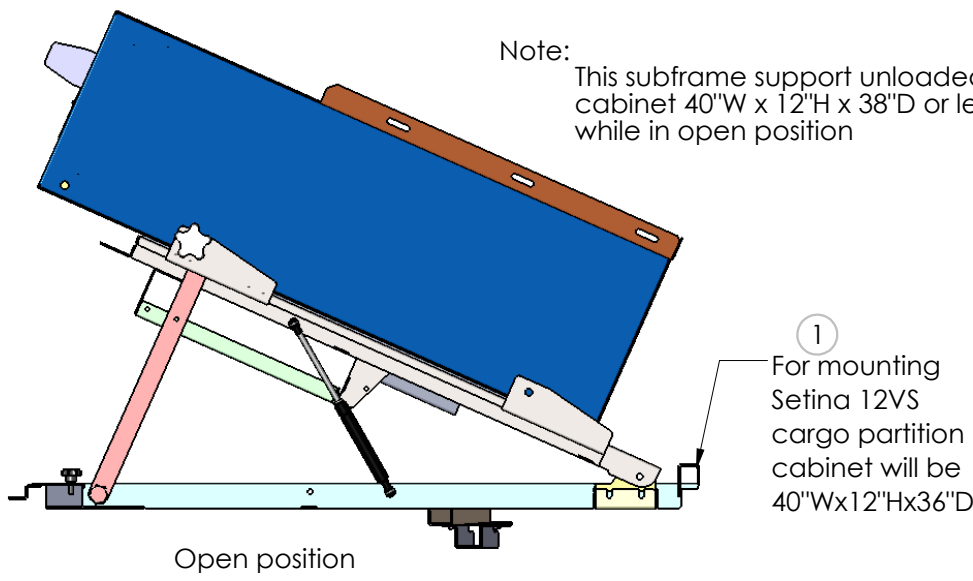


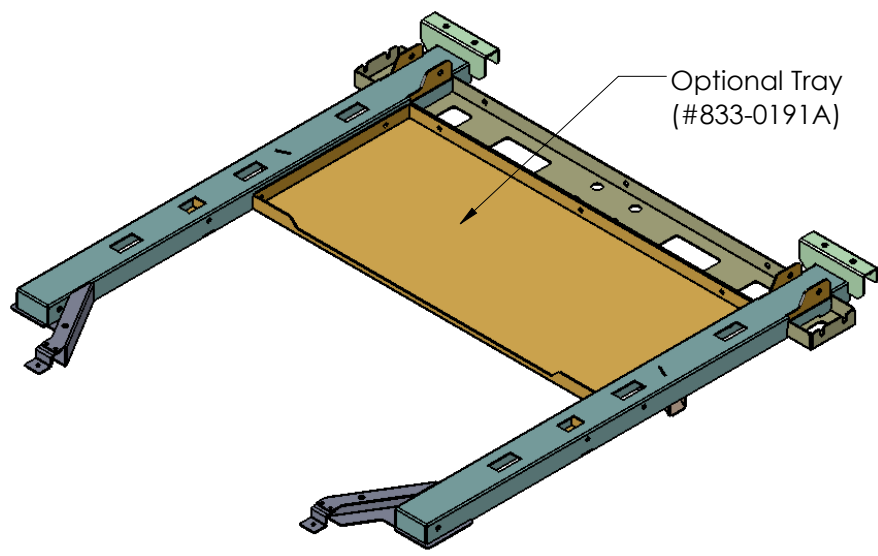
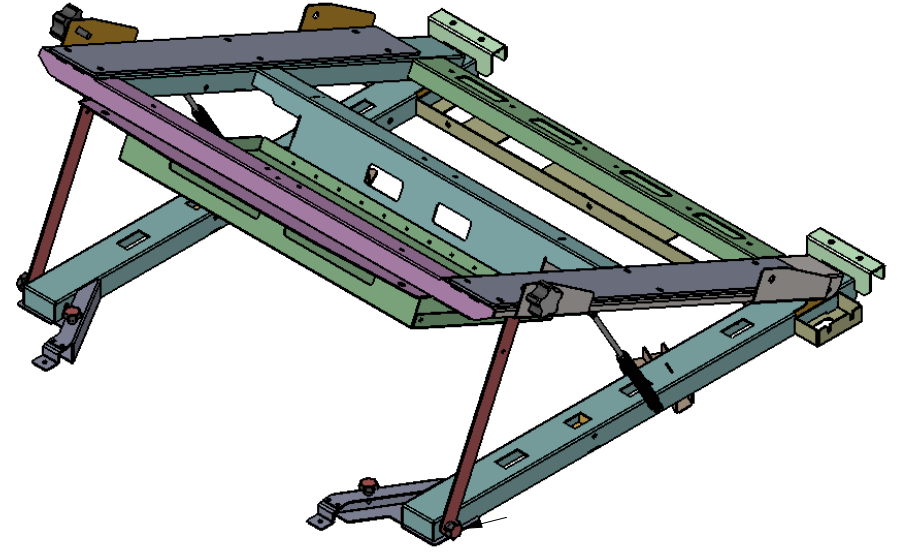
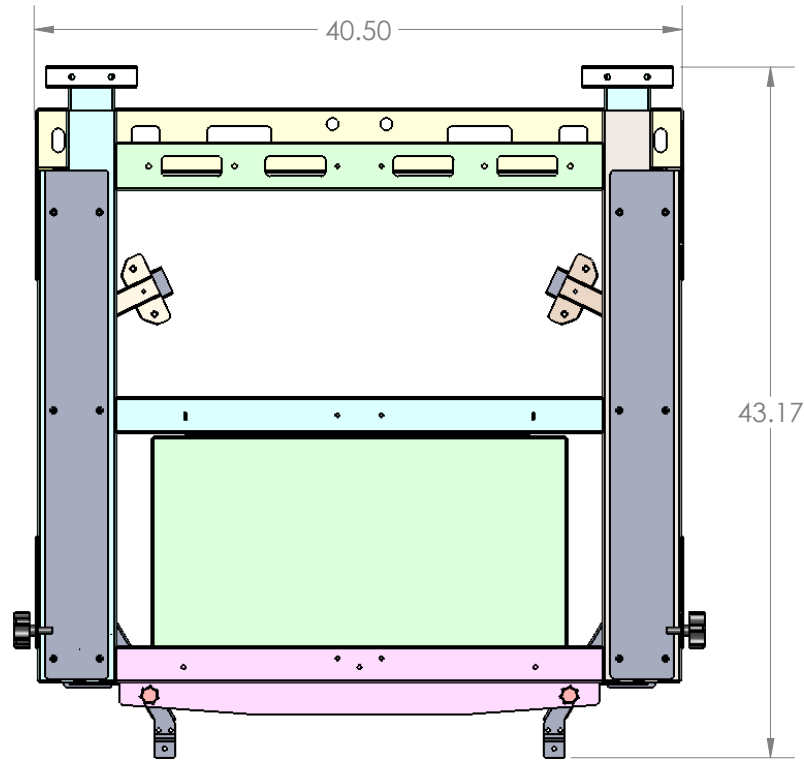
REV.	DESCRIPTION	BY	DATE	APPROVED
1	Modified to accommodate setina 12VS cargo partition	MQ	18JAN16	AD
2	Bottom ass'y added mtg holes for optional tray	MQ	27JAN17	AD

Note:
This subframe support unloaded cabinet 40"W x 12"H x 38"D or less weight while in open position



NAME	DATE	DandR ELECTRONICS CO., LTD.		DANDR-ANSI-A	SIZE
DRAWN: MQ	17FEB15	ELECTRONICS CO., LTD.		REV2	A
CHECKED: AD	17FEB15	Path: Y:\M\MECH_DATA\933 Storage Drawers\933-0113A Explorer2014 Lifiable Subframe\		APRIL 1, 2009	
		File: 933-0113A			
		Date: Tuesday, January 31, 2017 1:01:33 PM			
		DESCRIPTION:			
		Ford 2013 Explorer Lifiable Subframe			
		MFG. NO.	CATALOG. NO.		
		933-0113A	XXX		
		USED ON:			SHEET 1 OF 2
		MATERIAL			REV.
		Midnight Black Wrinkle	12 ga CRS		2

REV.	DESCRIPTION	BY	DATE	APPROVED



DRAWN	NAME MQ	DATE 17FEB15	ELECTRONICS CO.		DANDR-ANSI-A REV2 APRIL 1, 2009	SIZE A
CHECKED	AD	17FEB15	Path: Y:\M\MECH_DATA\933 Storage Drawers\933-0113A Explorer2014 Liftable Subframe\ File: 933-0113A Date: Tuesday, January 31, 2017 1:01:33 PM			
THE INFORMATION CONTAINED WITHIN THIS DRAWING IS PROPRIETARY AND CONFIDENTIAL. AND IS THE SOLE PROPERTY OF DandR ELECTRONICS CO. LTD. IT MAY NOT BE REPRODUCED AT WHOLE OR IN PART WITHOUT THE WRITTEN PERMISSION OF DandR ELECTRONICS CO. LTD.			DESCRIPTION: Ford 2013 Explorer Liftable Subframe			
FINISH		MATERIAL		MFG. NO.	CATALOG. NO.	REV.
Midnight Black Wrinkle		12 ga CRS		933-0113A	XXX	2

SHEET 2 OF 2