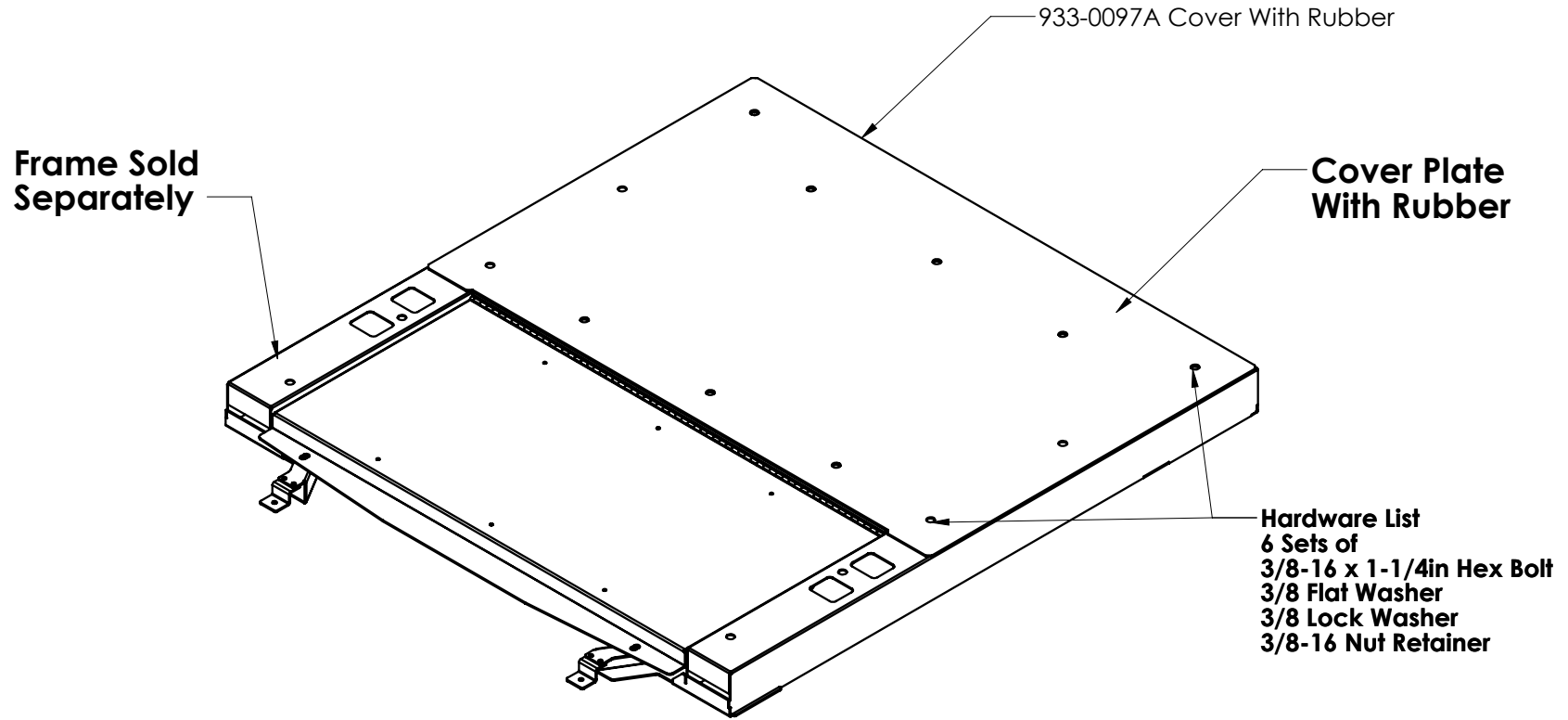



REV.	DESCRIPTION	BY	DATE	APPROVED

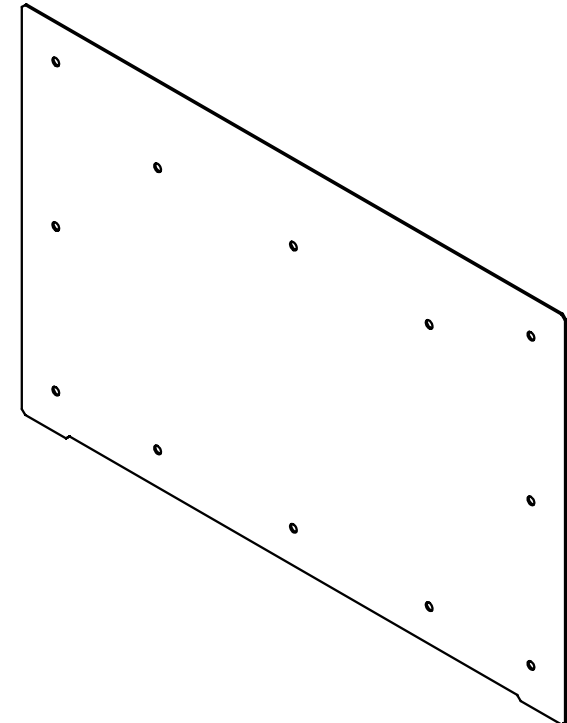
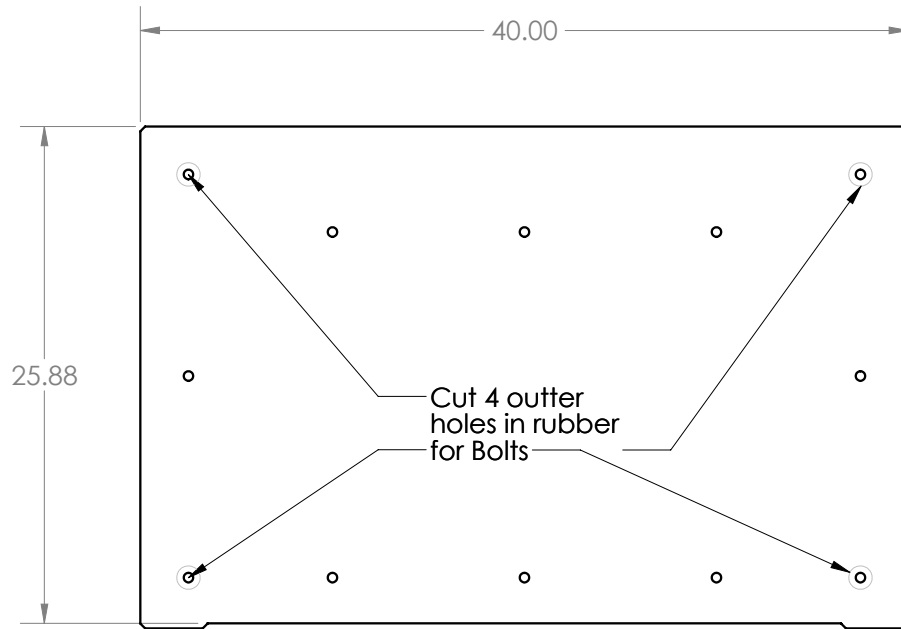


NOTE: Rubber Must be Cut to same size

FLAT PATTERN


	NAME	DATE	 ELECTRONICS CO.	DANDR-ANSI-A REV2 APRIL 1, 2009	SIZE A
DRAWN	BW	05MAY12		Path: \\server-file\data\MECH ENG\MECH_DATA\933 Storage Drawers\2013 Ford Expl Subfr File: 933-0097A Date: Wednesday, February 26, 2014 9:21:36 AM	
CHECKED				DESCRIPTION: 2013 Interceptor Utility(Explorer) Sub-Frame Cover Plate	
			THE INFORMATION CONTAINED WITHIN THIS DRAWING IS PROPRIETARY AND CONFIDENTIAL. AND IS THE SOLE PROPERTY OF DandR ELECTRONICS CO. LTD. IT MAY NOT BE REPRODUCED AT WHOLE OR IN PART WITHOUT THE WRITTEN PERMISSION OF DandR ELECTRONICS CO. LTD.	MFG. NO. 933-0097A	CATALOG. NO. XXX
				USED ON: 933-0092A	SHEET 1 OF 1
FINISH	BMW		MATERIAL	11ga ALU	REV. 0

REV.	DESCRIPTION	BY	DATE	APPROVED



NOTE: Rubber Must be Cut to same size

FLAT PATTERN

	NAME	DATE	 ELECTRONICS CO.	DANDR-ANSI-A REV2 APRIL 1, 2009	SIZE A
DRAWN	BW	05MAY12		Path: \\server-file\data\MECH ENG\MECH_DATA\933 Storage Drawers\2013 Ford Expl Sub-Frame Cover Plate.dwg File: 933-0097A Date: Wednesday, February 26, 2014 9:21:36 AM	
CHECKED				DESCRIPTION: 2013 Interceptor Utility (Explorer) Sub-Frame Cover Plate	
			THE INFORMATION CONTAINED WITHIN THIS DRAWING IS PROPRIETARY AND CONFIDENTIAL. AND IS THE SOLE PROPERTY OF DandR ELECTRONICS CO. LTD. IT MAY NOT BE REPRODUCED AT WHOLE OR IN PART WITHOUT THE WRITTEN PERMISSION OF DandR ELECTRONICS CO. LTD.	MFG. NO. 933-0097A	CATALOG. NO. XXX
				USED ON: 933-0092A	SHEET 1 OF 1
FINISH	BMW		MATERIAL	11ga ALU	REV. 0

