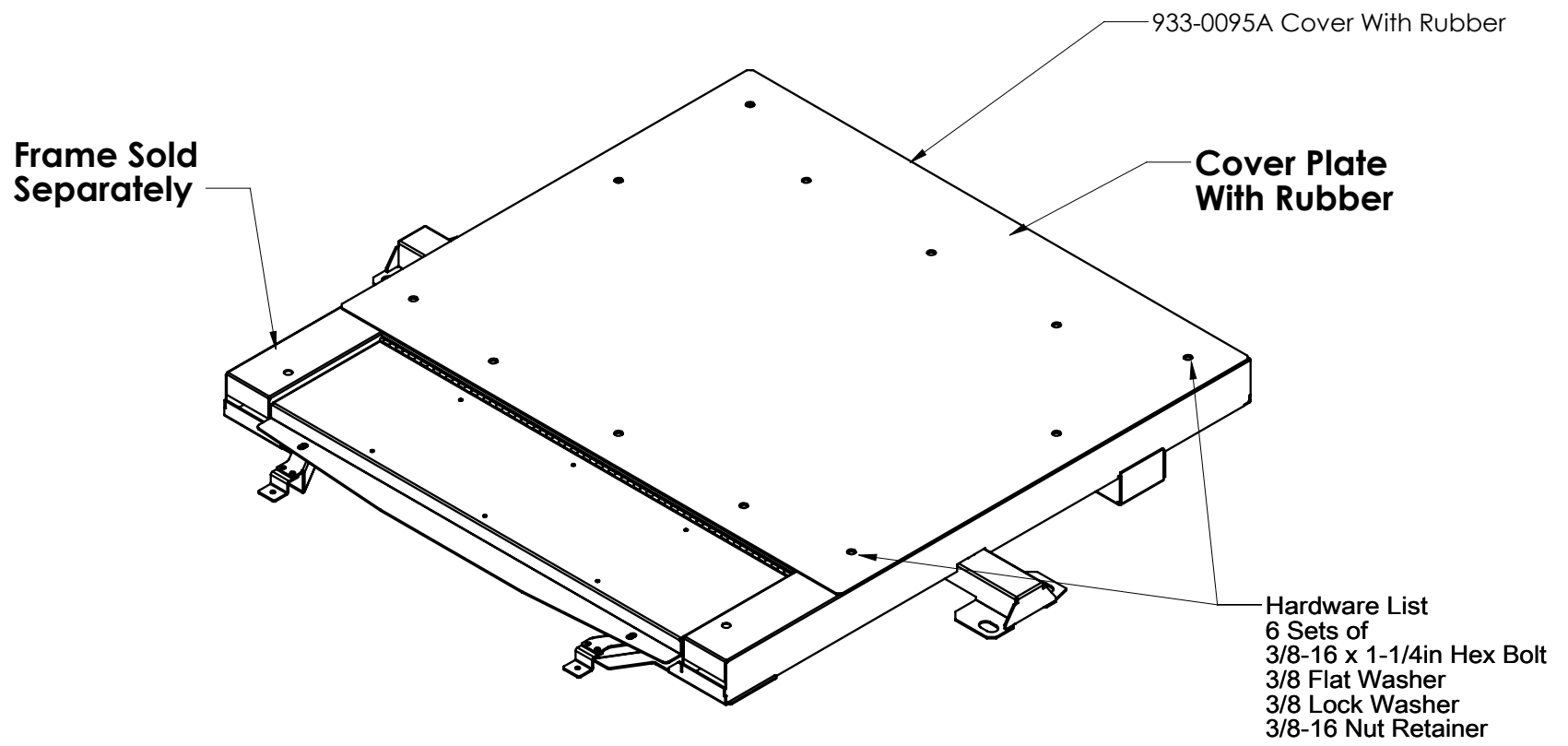


REV.	DESCRIPTION	BY	DATE	APPROVED

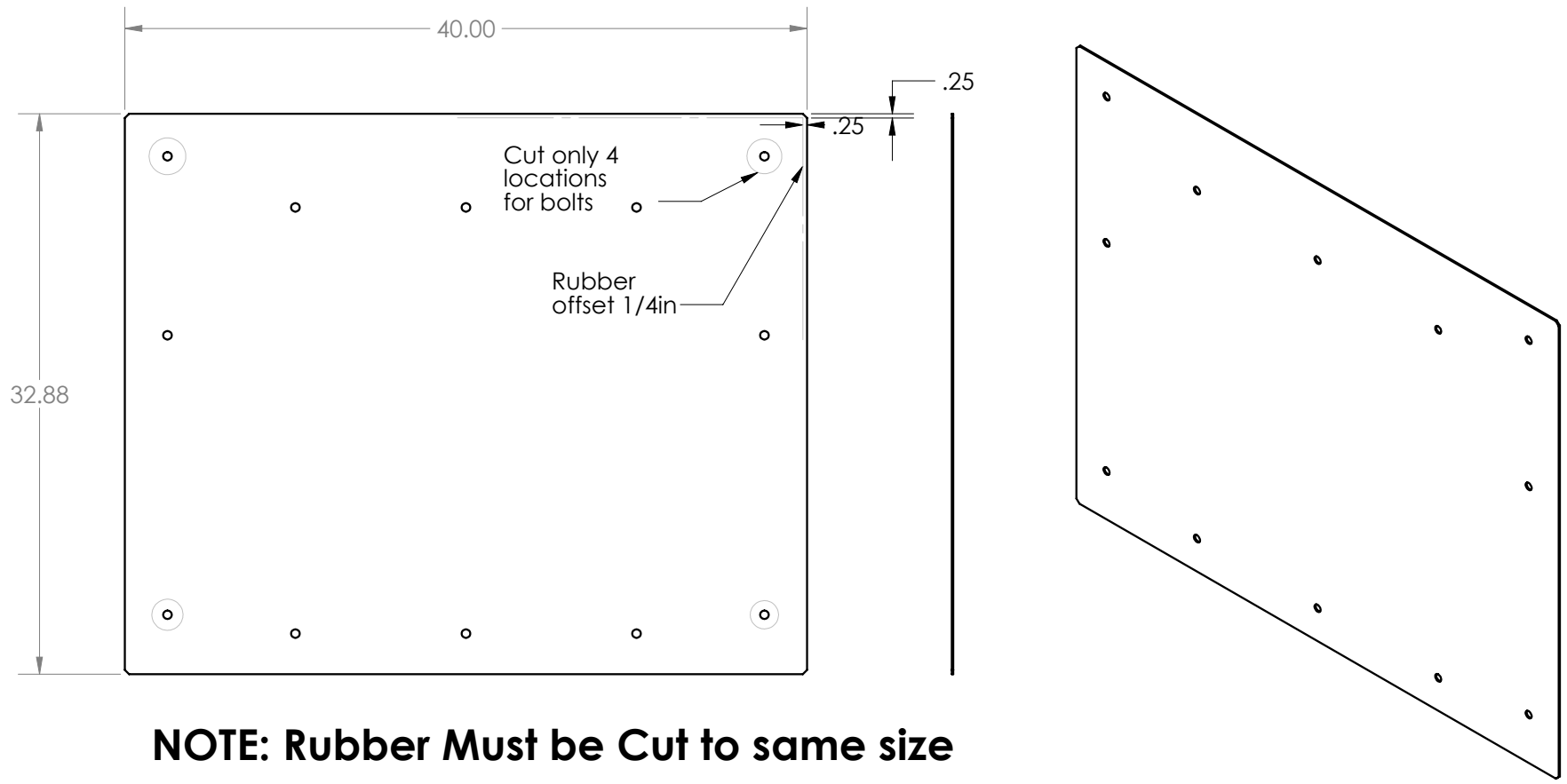


NOTE: Rubber Must be Cut to same size

FLAT PATTERN

	NAME	DATE	 DANDR-ANSI-A REV2 APRIL 1, 2009	SIZE
DRAWN	BW	05MAY12		A
CHECKED			Path: \\server-file\data\MECH ENG\MECH_DATA\933 Storage Drawers\2013 Ford Expl Subfr File: 933-0095A Date: Friday, February 28, 2014 9:21:34 AM	
THE INFORMATION CONTAINED WITHIN THIS DRAWING IS PROPRIETARY AND CONFIDENTIAL. AND IS THE SOLE PROPERTY OF DandR ELECTRONICS CO. LTD. IT MAY NOT BE REPRODUCED AT WHOLE OR IN PART WITHOUT THE WRITTEN PERMISSION OF DandR ELECTRONICS CO. LTD.			DESCRIPTION: 2013 Explorer Sub-Frame Cover Plate Civilian	
			MFG. NO. 933-0095A USED ON: 933-0094A	CATALOG. NO. XXX SHEET 1 OF 1
FINISH	BMW	MATERIAL	11ga ALU	REV. 0

REV.	DESCRIPTION	BY	DATE	APPROVED



NOTE: Rubber Must be Cut to same size

FLAT PATTERN

	NAME	DATE	ELECTRONICS CO., LTD.	DANDR-ANSI-A	SIZE
DRAWN	BW	05MAY12		REV2	APRIL 1, 2009
CHECKED			Path: \\server-file\data\MECH ENG\MECH_DATA\933 Storage Drawers\2013 Ford Expl Subfr File: 933-0095A Date: Friday, February 28, 2014 9:21:34 AM		
THE INFORMATION CONTAINED WITHIN THIS DRAWING IS PROPRIETARY AND CONFIDENTIAL. AND IS THE SOLE PROPERTY OF DandR ELECTRONICS CO. LTD. IT MAY NOT BE REPRODUCED AT WHOLE OR IN PART WITHOUT THE WRITTEN PERMISSION OF DandR ELECTRONICS CO. LTD.			DESCRIPTION: 2013 Explorer Sub-Frame Cover Plate		
			MFG. NO.	CATALOG. NO.	
			933-0095A	XXX	
			USED ON:		SHEET 1 OF 1
			933-0094A		
FINISH	BMW		MATERIAL		REV.
			11ga ALU		0

