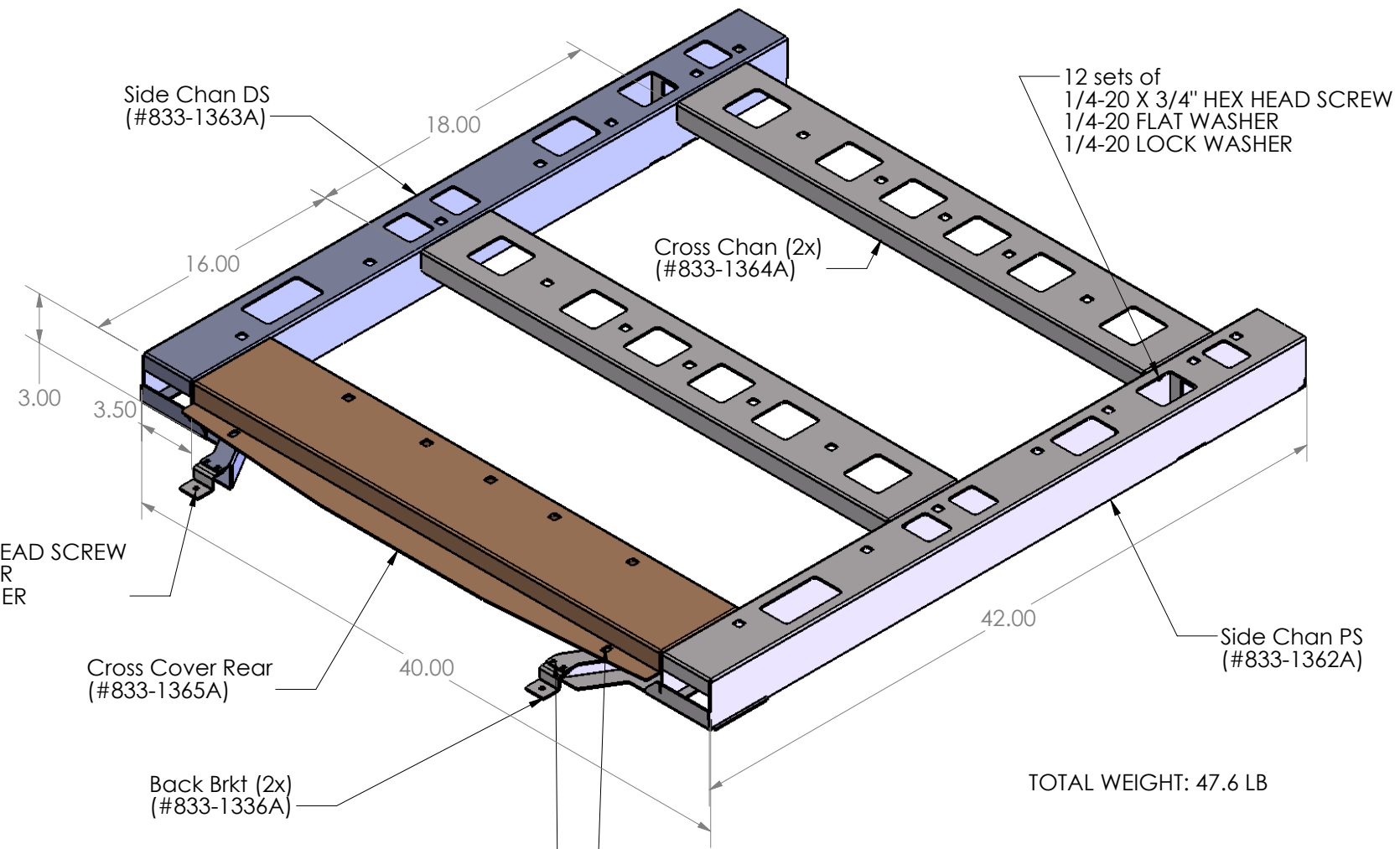


REV.	DESCRIPTION	BY	DATE	APPROVED



TOTAL WEIGHT: 47.6 LB

Hardware list:

- 4 of NUT RETAINER 3/8-16
- 2 of 1/2" FENDER WASHER (P/N: 403-0015)

- 2 sets of 1/4-20 X 3/4" HEX HEAD SCREW
- 1/4-20 FLAT WASHER
- 1/4-20 LOCK WASHER

	NAME	DATE	<b>ELECTRONICS CO.</b>	DANDR-ANSI-A	SIZE
DRAWN	MQ	31AUG12		REV2	APRIL 1, 2009
CHECKED			Path: Y:\MECH ENG\MECH_DESIGN\2013 Interceptor Explorer Full Size Cabinet Subframe\         File: 933-0099A         Date: Friday, August 31, 2012 1:46:40 PM		
THE INFORMATION CONTAINED WITHIN THIS DRAWING IS PROPRIETARY AND CONFIDENTIAL. AND IS THE SOLE PROPERTY OF DandR ELECTRONICS CO. LTD. IT MAY NOT BE REPRODUCED AT WHOLE OR IN PART WITHOUT THE WRITTEN PERMISSION OF DandR ELECTRONICS CO. LTD.			<b>DESCRIPTION:</b> <b>2013 Interceptor Explorer Full Size Cabinet Subframe</b>		
FINISH			MFG. NO.	CATALOG. NO.	
Midnight Black Wrinkle			<b>933-0099A</b>	XXX	
MATERIAL			USED ON:		SHEET 1 OF 1
12 ga CRS					REV. <b>0</b>