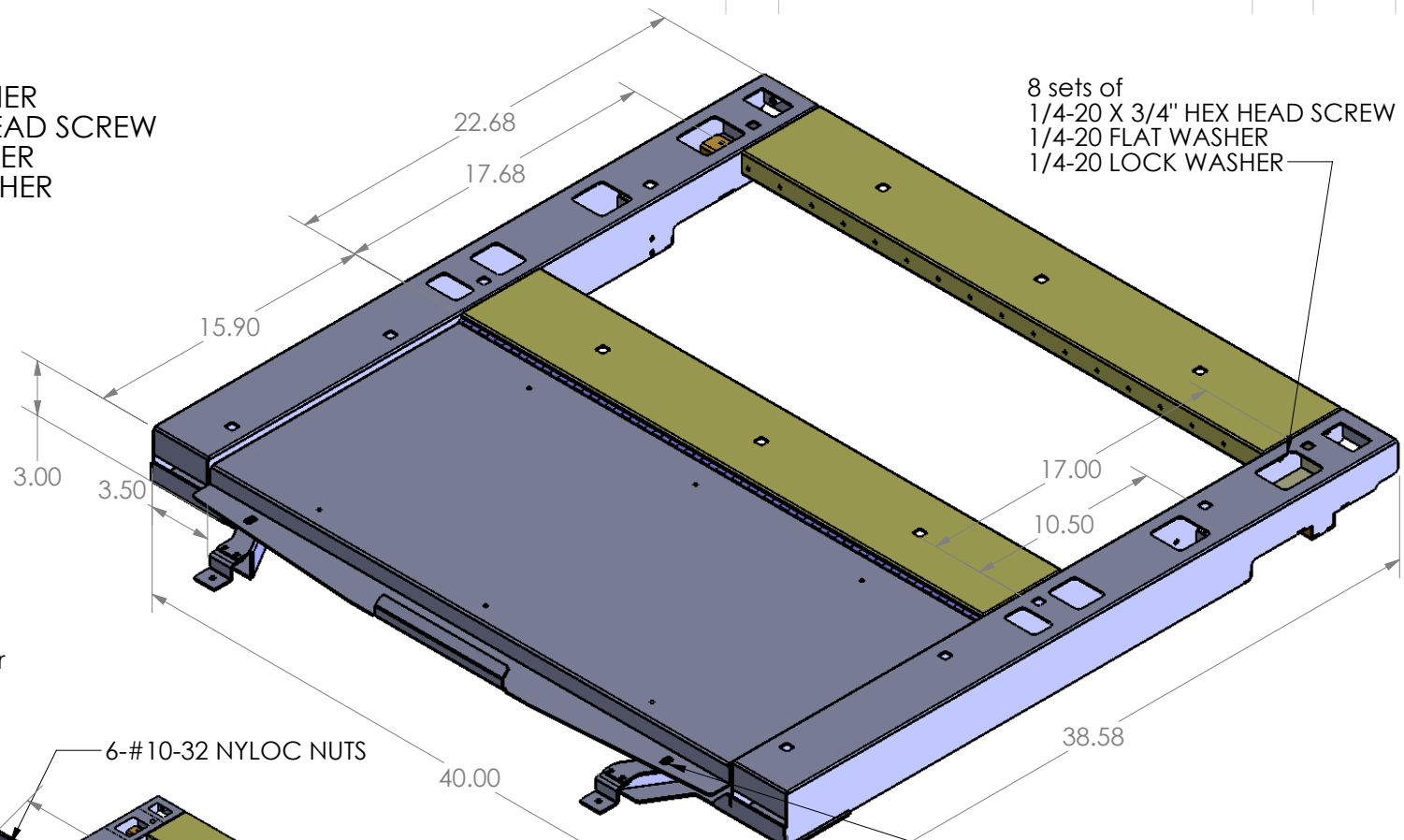


REV.	DESCRIPTION	BY	DATE	APPROVED

HARDWARE LIST:

- 4 - 3/8-16 NUT RETAINER
- 4 - 3/8-16 X 1" HEX HEAD SCREW
- 4 - 3/8-16 FLAT WASHER
- 4 - 3/8-16 LOCK WASHER

- 8 sets of
- 1/4-20 X 3/4" HEX HEAD SCREW
- 1/4-20 FLAT WASHER
- 1/4-20 LOCK WASHER



- 1-#10-32 NYLOC NUTS
- 1-#10-32 Nylon Flat Washer
- 1-#10-32 Flat Washer
- Tire Cover
- 833-1338A

- Tire Cover Subpanel
- 833-1337A

- Cover support bar
- 833-1391A

- 6-#10-32 NYLOC NUTS

- Cross Chan (2x)
- 833-1339A

- Side Chan DS
- 833-1406A

- Side Chan PS
- 833-1405A

- Back Brkt (2x)
- 833-1336A

- 2 sets of
- M6 X 1/2" HEX HEAD SCREW
- M6 FLAT WASHER
- M6 LOCK WASHER

- 4 SETS OF
- 10-32 X 1/2" PHIL RD HEAD SCREW
- 10-32 FLAT WASHER
- 10-32 LOCK WASHER

- 2 sets of
- 1/4-20 X 3/4" HEX HEAD SCREW
- 1/4-20 FLAT WASHER
- 1/4-20 LOCK WASHER

DRAWN	NAME	DATE	ELECTRONICS CO., LTD.	DANDR-ANSI-A	SIZE
CHECKED	MQ	07MAY14		REV2	A
	AD	07MAY14	Path: Y:\MECH ENG\MECH DESIGN\2013 Ford Expl Subframe Fit with Setina 12VS Cargo Partition\ File: 933-0108A	APRIL 1, 2009	Date: Friday, June 27, 2014 1:13:51 PM
THE INFORMATION CONTAINED WITHIN THIS DRAWING IS PROPRIETARY AND CONFIDENTIAL. AND IS THE SOLE PROPERTY OF DANDR ELECTRONICS CO. LTD. IT MAY NOT BE REPRODUCED AT WHOLE OR IN PART WITHOUT THE WRITTEN PERMISSION OF DANDR ELECTRONICS CO. LTD.			DESCRIPTION: Ford 2013 Explorer Subframe Fit With Setina 12VS Partition		
MFG. NO.		933-0108A		CATALOG. NO. XXX	
USED ON:		SHEET 1 OF 1			
FINISH		MATERIAL		REV.	
Midnight Black Wrinkle		12 ga / 14 ga CRS / 0.09" ALUM		0	