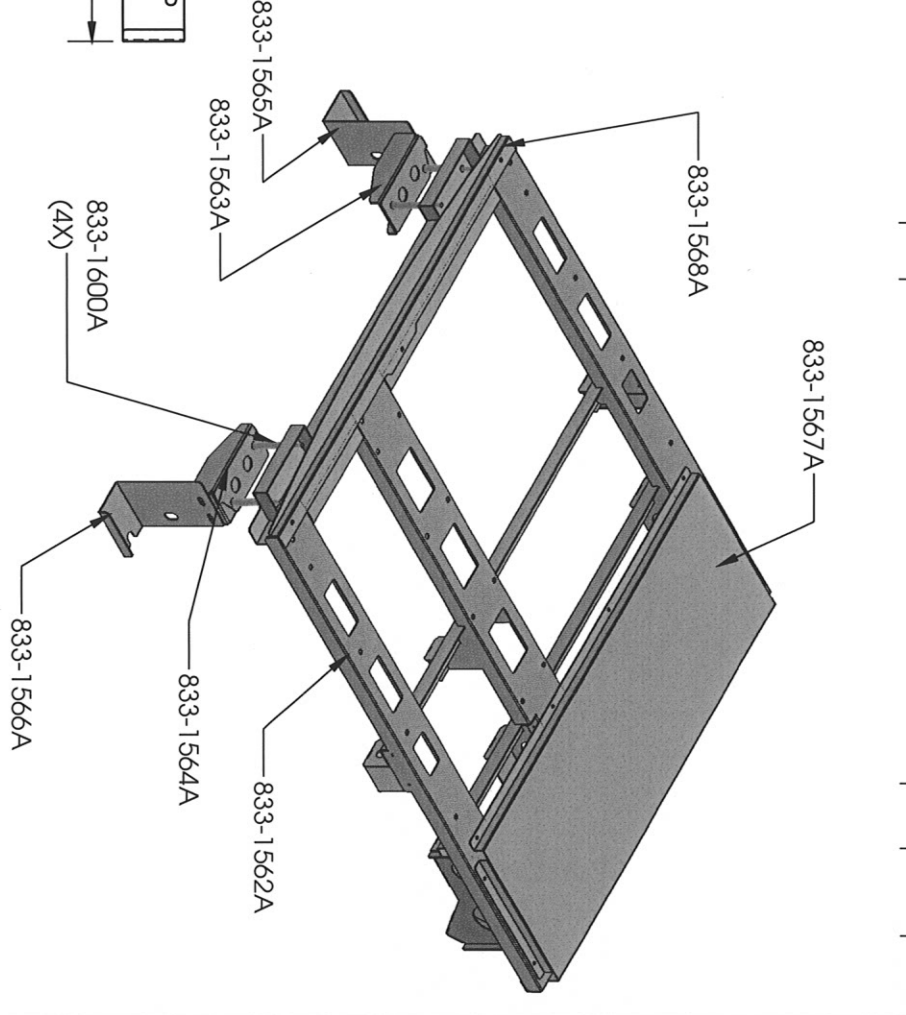
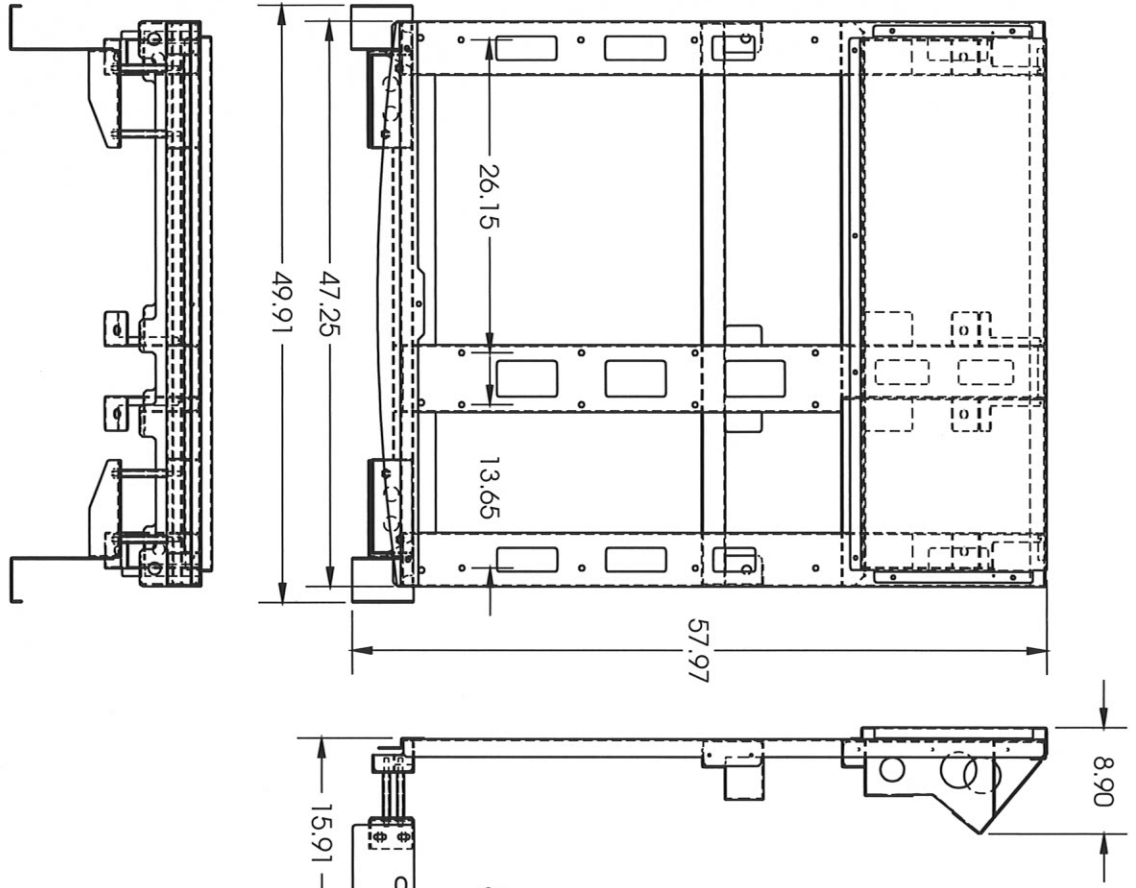


REV.	DESCRIPTION	BY	DATE	APPROVED



NAME	DATE	SIZE
DANDR-ANSI-A	04/JAN/19	A
REV2	04/JAN/19	A
APRIL 1, 2009		

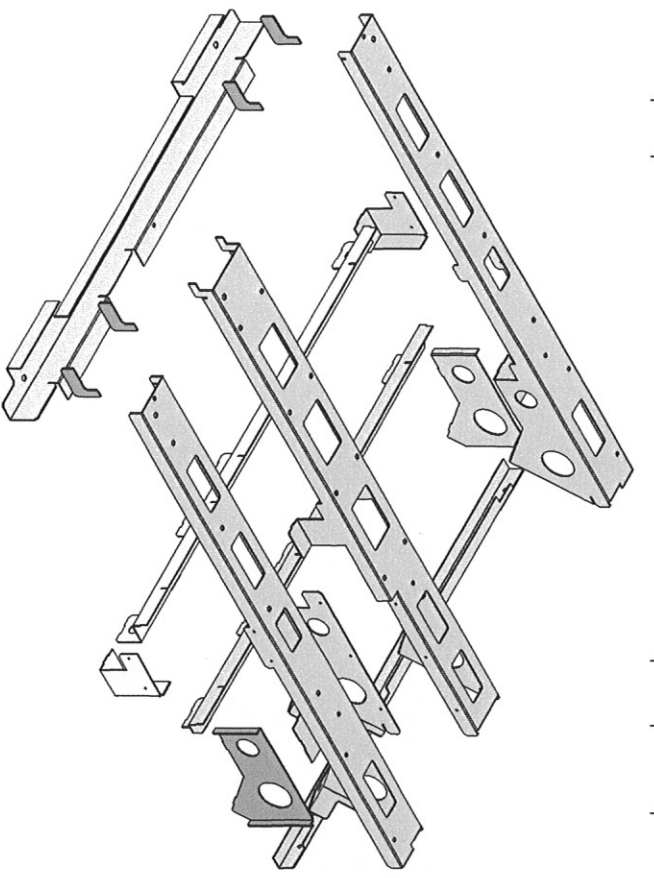
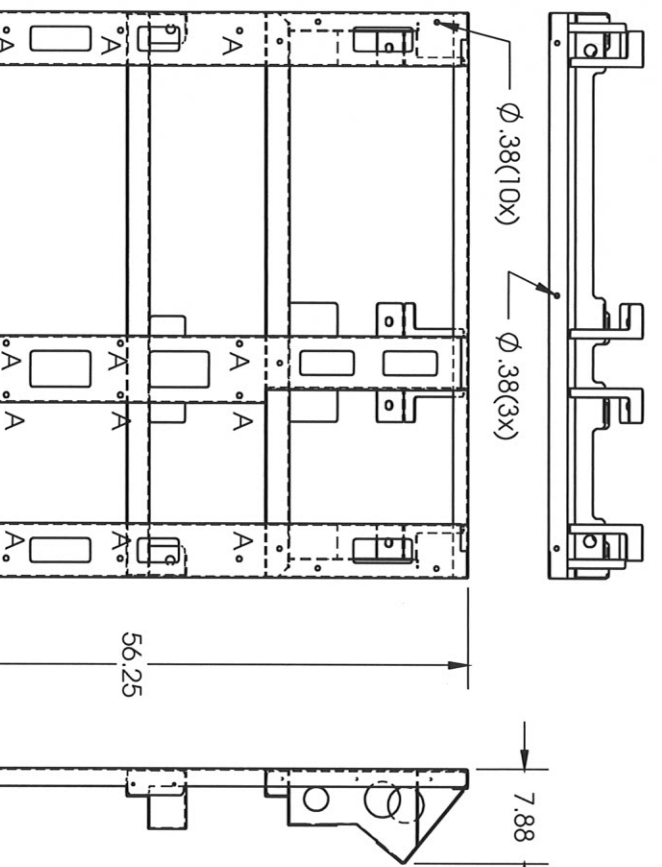
THE INFORMATION CONTAINED  
 WITHIN THIS DRAWING IS  
 PROPRIETARY AND CONFIDENTIAL.  
 AND IS THE SOLE  
 PROPERTY OF DDMR  
 ELECTRONICS CO., LTD. IT MAY  
 NOT BE REPRODUCED, IN WHOLE  
 OR IN PART WITHOUT THE  
 WRITTEN PERMISSION OF DDMR  
 ELECTRONICS CO., LTD.

**2018 Expedition Max Subframe  
 For EMS**

MFG. NO. **933-0129A** CATALOG NO. **933-0129A**  
 USED ON: **933-0129A** SHEET 1 OF 1

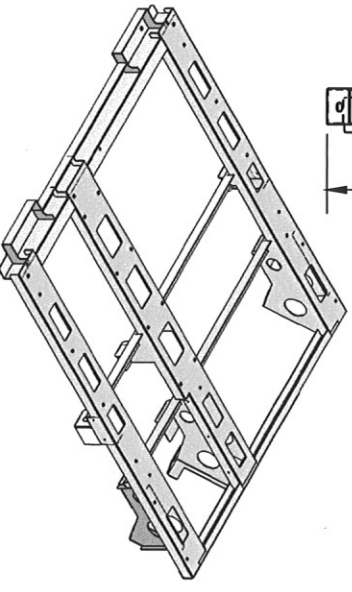
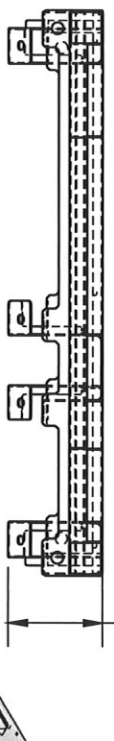
FINISH	MATERIAL	REV.
Black Midnight Wrinkle	12 GA CRS	0

REV.	DESCRIPTION	BY	DATE	APPROVED



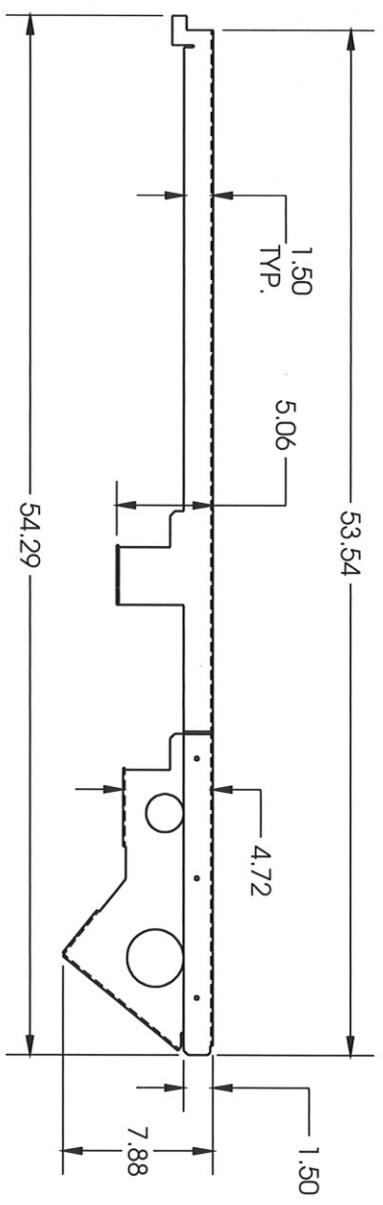
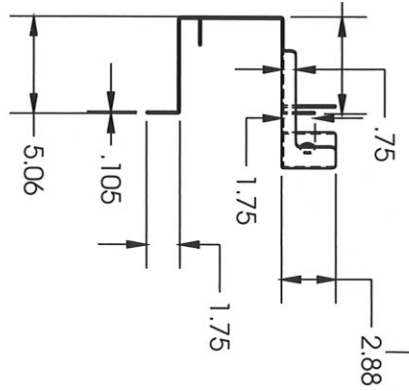
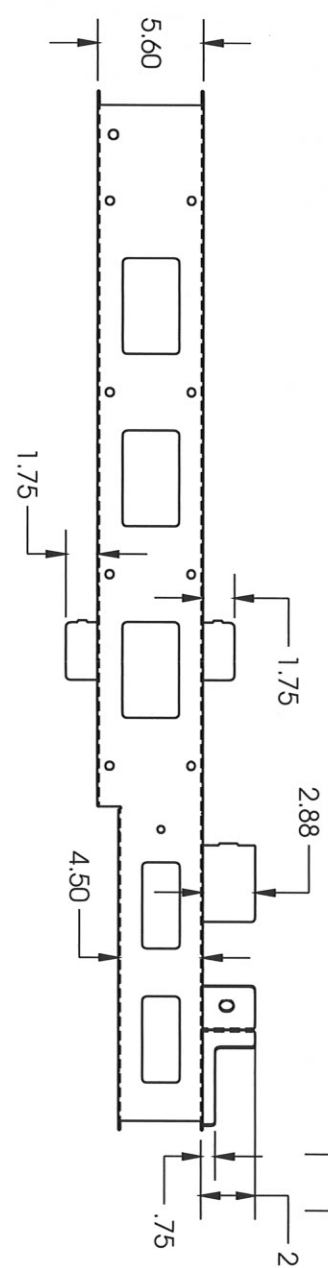
- Notes:**
- Symbol "A" (16x) weld 3/8-16 weld nuts inside of channels
  - All other 3/8" holes (13x) install 1/4-20 rivet nuts from outside after painting

**Weld all parts and keep top flat (using line up holes rivet parts together first)**

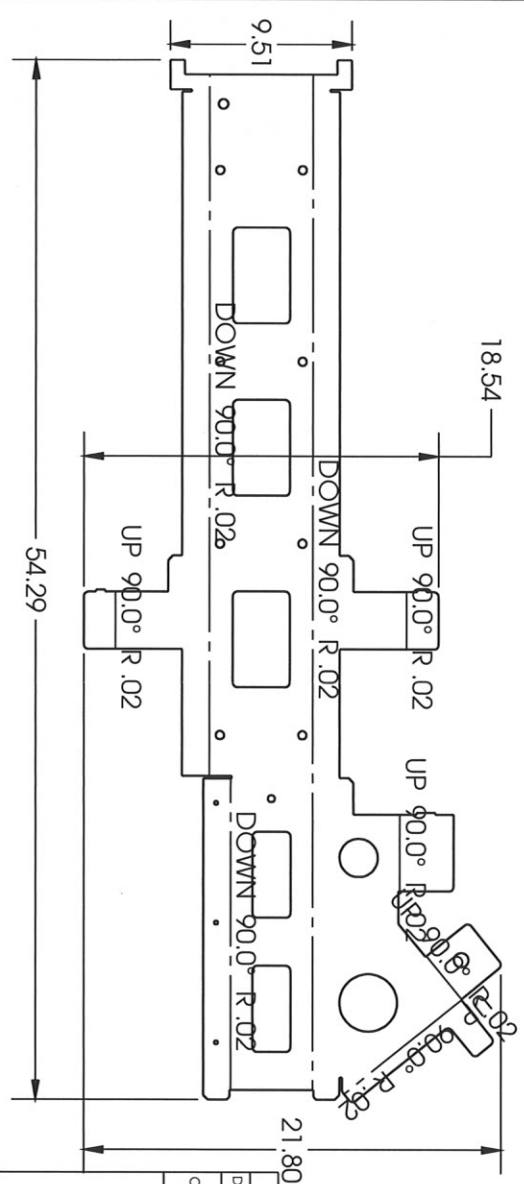
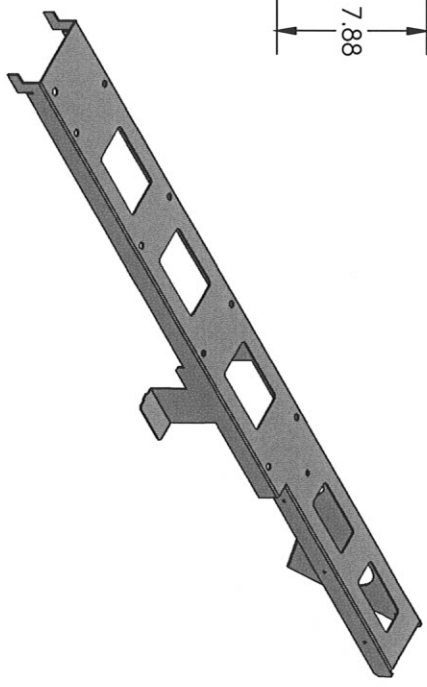


DRAWN	NAME	DATE	SIZE
WQ	AD	04JAN19	A
CHECKED	AD	04JAN19	
THE INFORMATION CONTAINED WITHIN THIS DRAWING IS PROPRIETARY AND CONFIDENTIAL. AND IS THE SOLE PROPERTY OF DANDR ELECTRONICS CO. LTD. IT MAY NOT BE REPRODUCED AT WHOLE OR IN PART WITHOUT THE WRITTEN PERMISSION OF DANDR ELECTRONICS CO. LTD.			
<b>2018 Expedition Max Subframe Frame Main Body</b>		MFG. NO. <b>833-1562A</b>	DANDR-ANSI-A REV2 APRIL 1, 2009
USED ON: <b>933-0129A</b>		CATALOG NO.	SHEET 1 OF 1
FINISH <b>Black Midnight Wrinkle</b>		MATERIAL <b>12 GA CRS</b>	REV. <b>0</b>
Path: \\server-its-dandrelectronics.com\Mechanical\MECH_DATA\933 Storage Drawings\933-0129A - 2018 Expedition Max Subframe\ Date: April-01-19 3:32:00 PM			

REV.	DESCRIPTION	BY	DATE	APPROVED



WATCH FORM DIRECTION



FLAT PATTERN

DRAWN	NAME	DATE	SIZE
MQ	MQ	04/JAN/19	A
CHECKED	NAME	DATE	
AD	AD	04/JAN/19	

THE INFORMATION CONTAINED WITHIN THIS DRAWING IS PROPRIETARY AND CONFIDENTIAL AND IS THE SOLE PROPERTY OF DANDR ELECTRONICS CO., LTD. IT MAY NOT BE REPRODUCED AT WHOLE OR IN PART WITHOUT THE WRITTEN PERMISSION OF DANDR ELECTRONICS CO., LTD.

**2018 Expedition Max Subframe  
Frame Mid Cross Chan**

MFG. NO. 933-0129A  
USED ON: 933-0129A

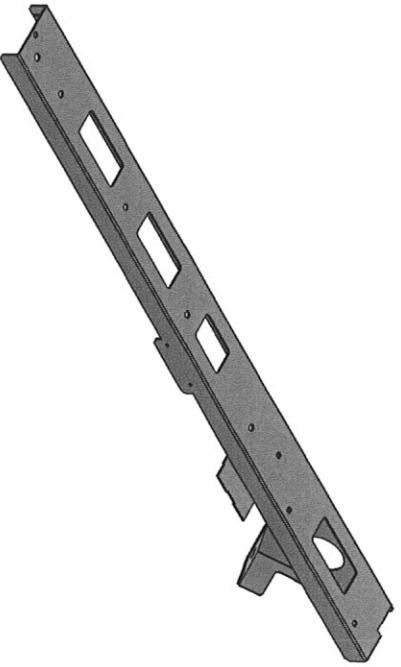
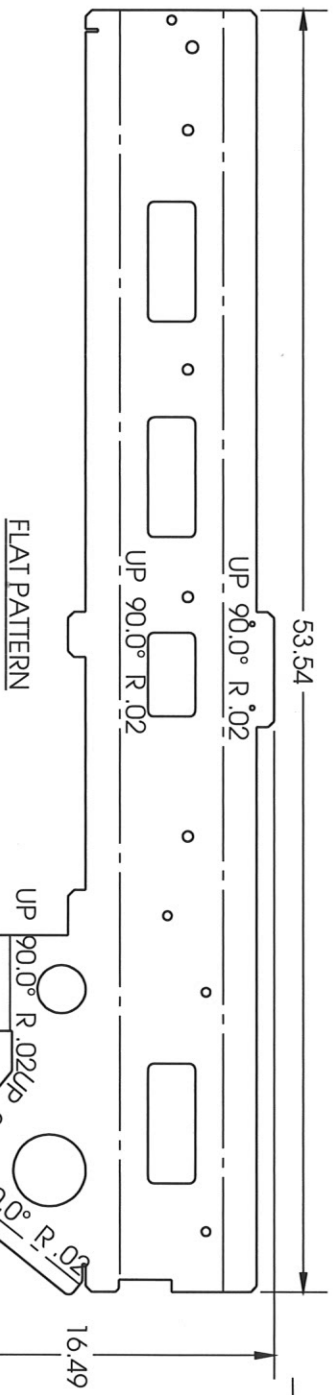
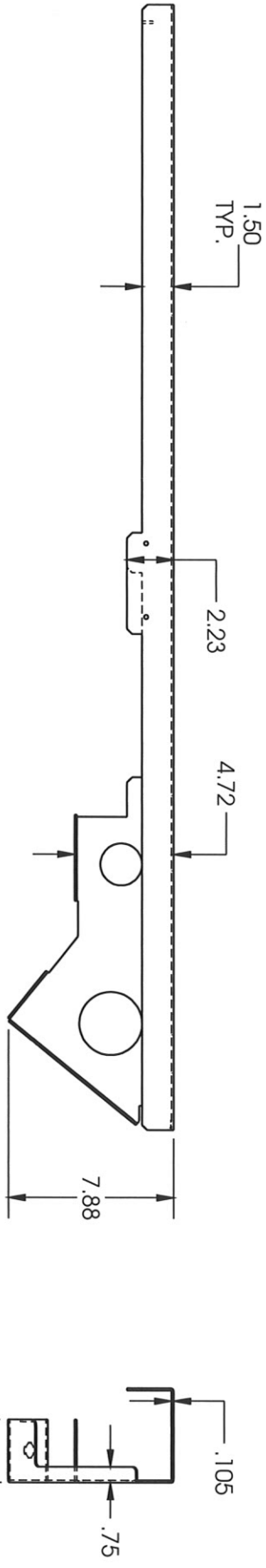
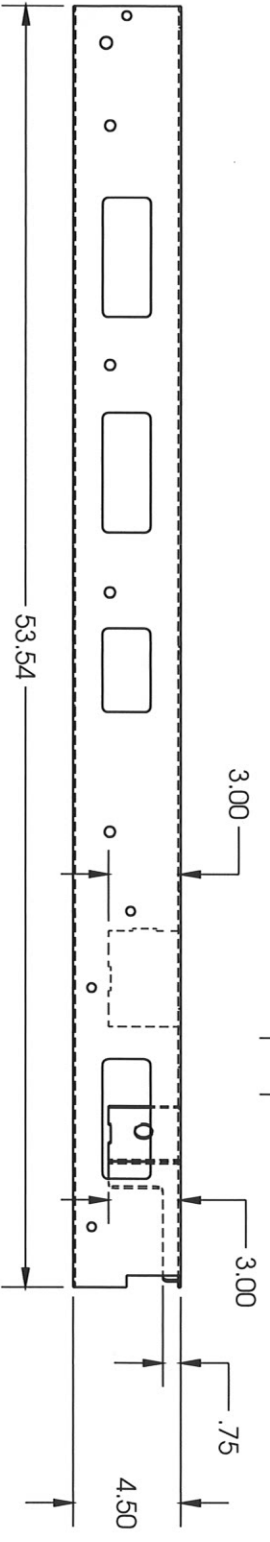
MATERIAL 12 GA CRS

SHEET 1 OF 1  
REV. 0

DANDR-ANSI-A  
REV2  
APRIL 1, 2009

Path: \\server-13\Mechanical\MECH\_DATA\933 Storage Drawers\933-0129A - 2018 Expedition Max Subframe  
File: Frame Mid Cross Chan-0129A Date: Friday, January 04, 2019 11:06:47 AM

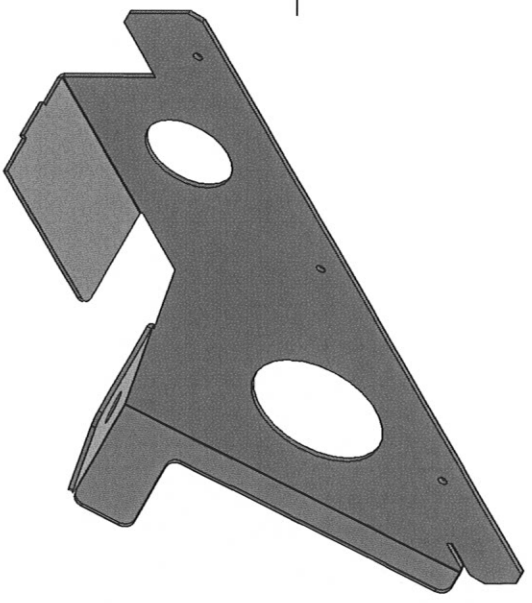
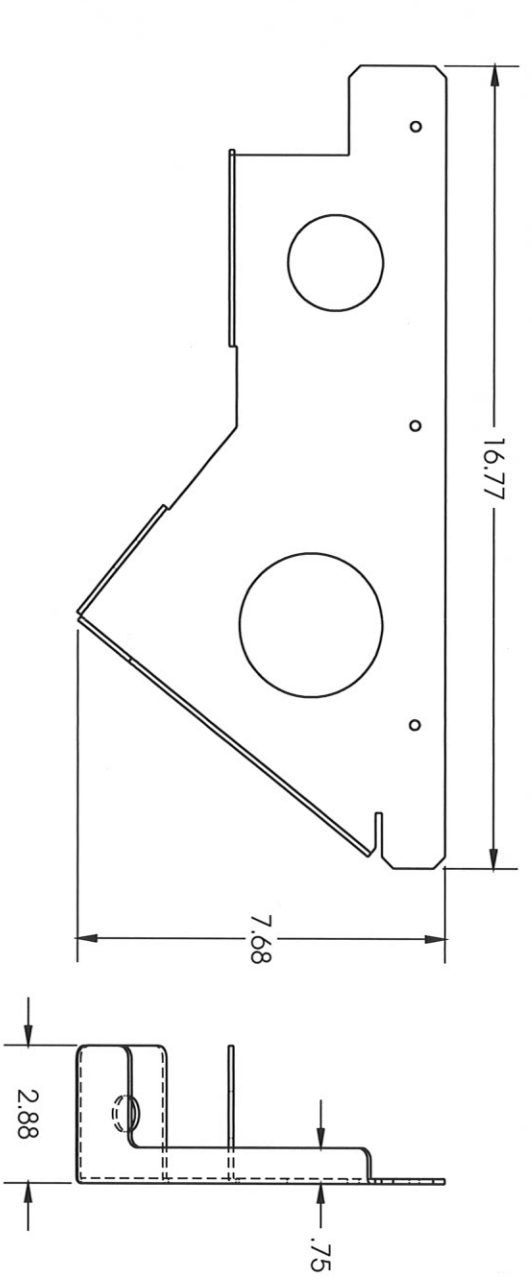
REV.	DESCRIPTION	BY	DATE	APPROVED



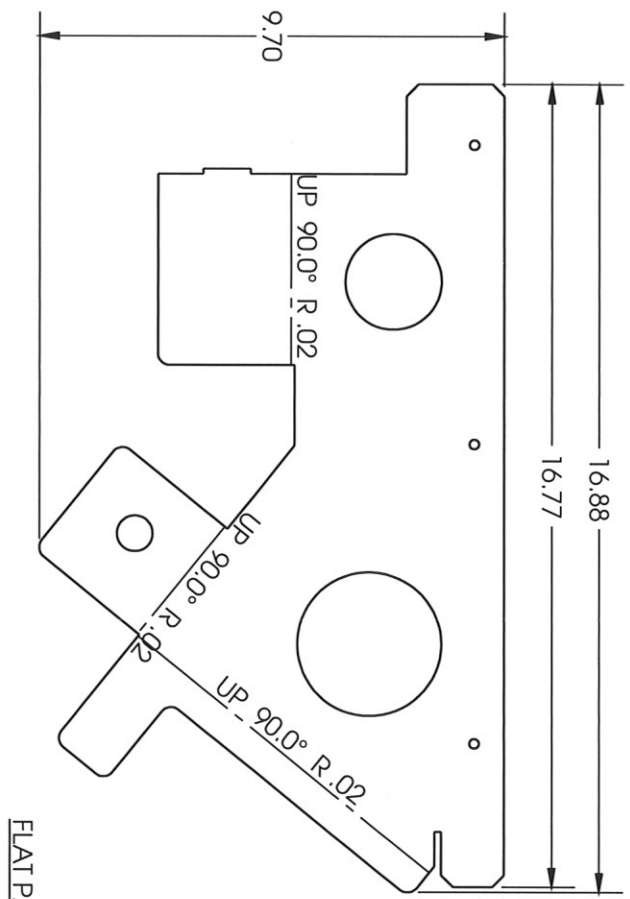
**FORM IN PAIR**  
**1 AS SHOWN DS**  
**1 OPP HAND PS**

DRAWN	NAME	DATE	SIZE
MQ	MQ	04/JAN/19	A
CHECKED	AD	04/JAN/19	
THE INFORMATION CONTAINED WITHIN THIS DRAWING IS PROPRIETARY AND CONFIDENTIAL. AND IS THE SOLE PROPERTY OF DANDR ELECTRONICS CO., LTD. IT MAY NOT BE REPRODUCED AT WHOLE OR IN PART WITHOUT THE WRITTEN PERMISSION OF DANDR ELECTRONICS CO., LTD.			
<b>2018 Expedition Max Subframe</b> <b>Frame DS Cross Chan</b>			
FILE	Path: \\server-its\mechanical\MECH_DATA\933 Storage Drawers\933-0129A - 2018 Expedition Max Subframe		
DATE	Date: Friday, January 04, 2019 10:32:01 AM		
MATERIAL	12 GA CRS		
FINISH	0		
USED ON:	933-0129A		
CATALOG NO:	933-0129A		
SHEET	SHEET 1 OF 1		
REV.	0		

REV	DESCRIPTION	BY	DATE	APPROVED



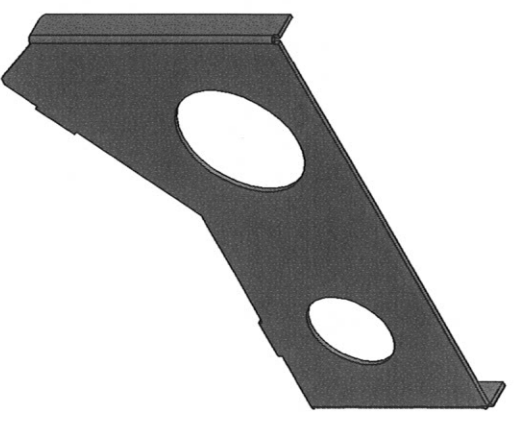
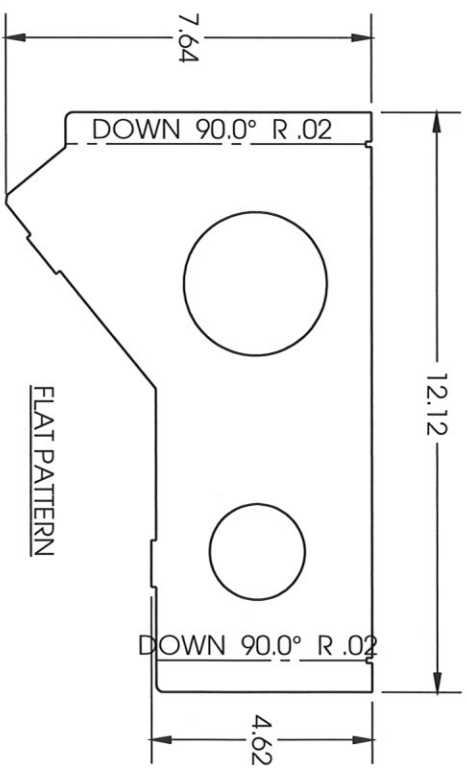
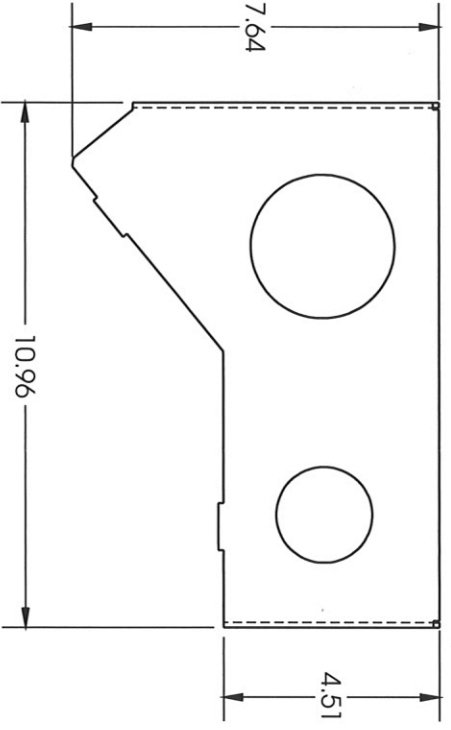
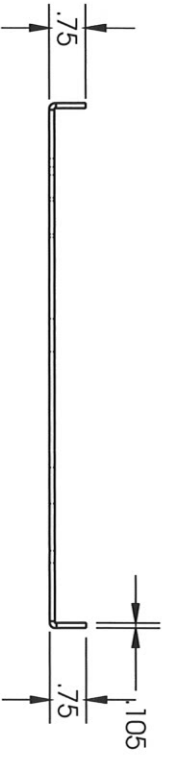
Watch form direction



FLAT PATTERN

DRAWN	NAME	DATE	SIZE
AD	MQ	04/JAN/19	A
CHECKED	AD	04/JAN/19	
THE INFORMATION CONTAINED WITHIN THIS DRAWING IS PROPRIETARY AND CONFIDENTIAL. AND IS THE SOLE PROPERTY OF DANDR ELECTRONICS CO., LTD. IT MAY NOT BE REPRODUCED AT WHOLE OR IN PART WITHOUT THE WRITTEN PERMISSION OF DANDR ELECTRONICS CO., LTD.			
MFG. NO. USED ON:		DANDR-ANSI-A REV2 APRIL 1, 2009	
MFG. NO. USED ON:		2018 Expedition Max Subframe Frame Mid Cross Chan Side	
MFG. NO. USED ON:		933-0129A	
MATERIAL 12 GA CRS		SHEET 1 OF 1	
FINISH		REV. 0	

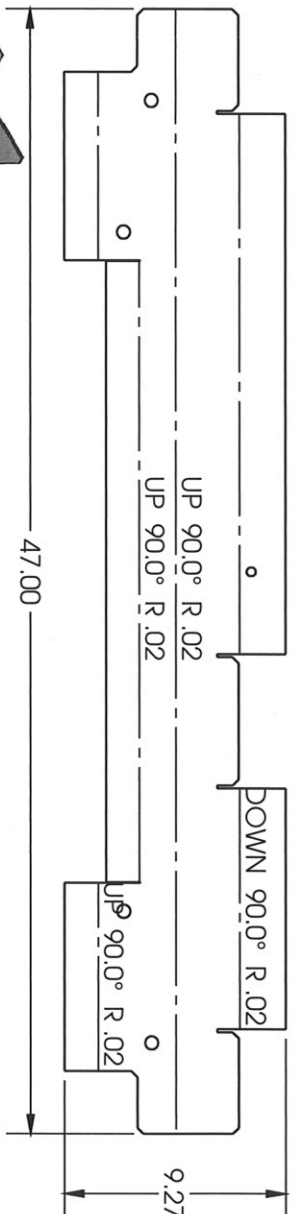
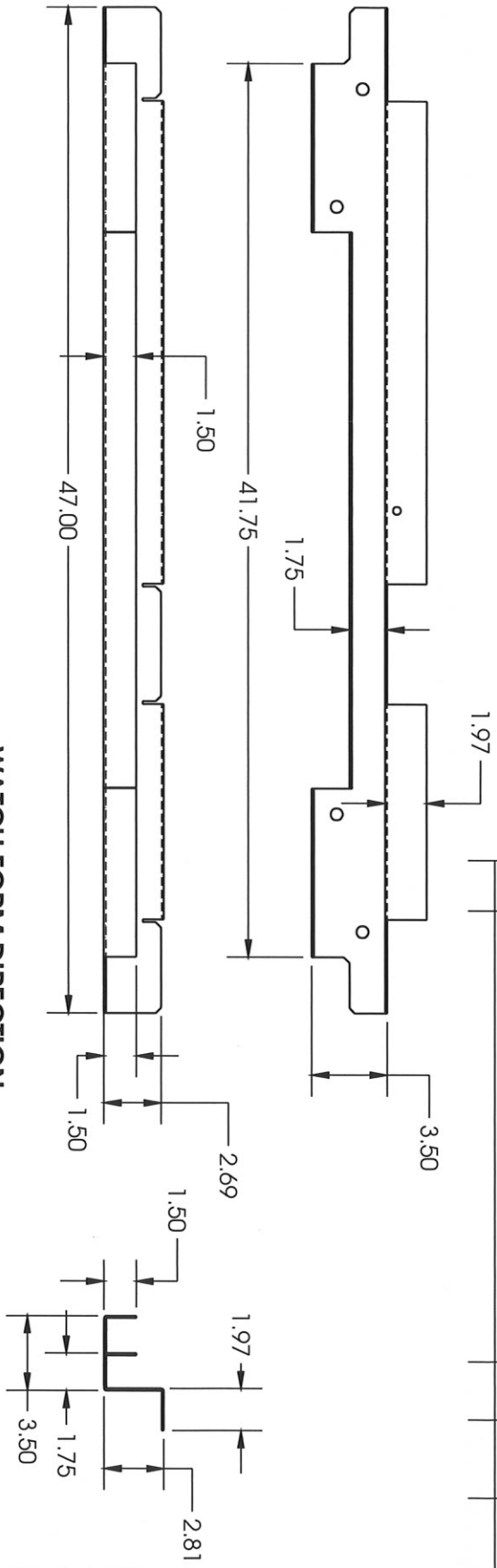
REV.	DESCRIPTION	BY	DATE	APPROVED



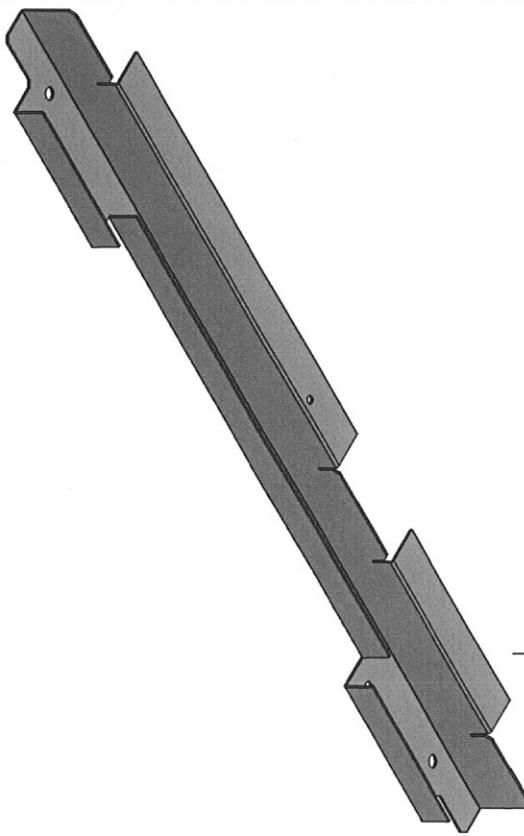
**FORM IN PAIR**  
**1 AS SHOWN PS**  
**1 OPP HAND DS**

DRAWN	NAME	DATE	SIZE
MQ	MQ	04/JAN/19	A
CHECKED	NAME	DATE	
AD	AD	04/JAN/19	
<p>THE INFORMATION CONTAINED WITHIN THIS DRAWING IS PROPRIETARY AND CONFIDENTIAL. AND IS THE SOLE PROPERTY OF DANDR ELECTRONICS CO., LTD. IT MAY NOT BE REPRODUCED AT WHOLE OR IN PART WITHOUT THE WRITTEN PERMISSION OF DANDR ELECTRONICS CO., LTD.</p>			
MFG. NO.		DANDR-ANSI-A	
USED ON:		REV2	
933-0129A		APRIL 1, 2009	
MATERIAL		2018 Expedition Max Subframe	
12 GA CRS		Frame Cross Filler Chan-0129A	
FINISH		CATALOG NO.	
		933-0129A	
		SHEET 1 OF 1	
		REV. 0	

REV.	DESCRIPTION	BY	DATE	APPROVED

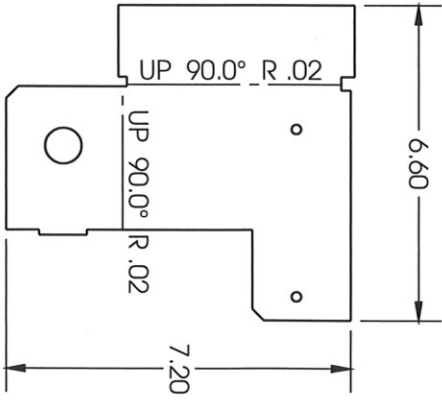
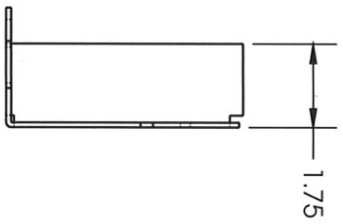
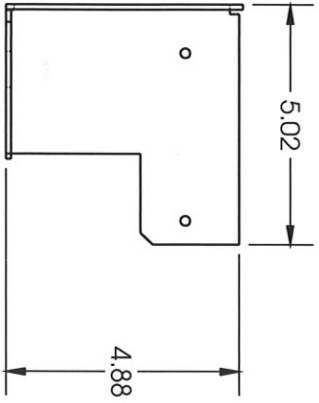
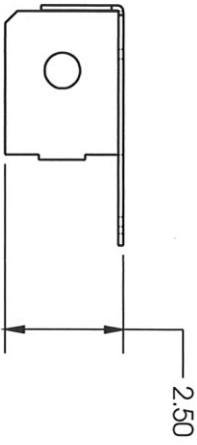


FLAT PATTERN

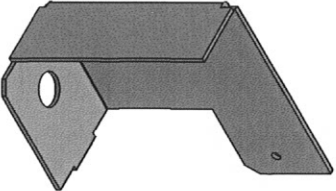


NAME	DATE	SIZE
MQ	04JAN19	DANDR-ANSI-A
AD	04JAN19	REV2
THE INFORMATION CONTAINED WITHIN THIS DRAWING IS PROPRIETARY AND CONFIDENTIAL. AND IS THE SOLE PROPERTY OF DANDR ELECTRONICS CO. LTD. IT MAY NOT BE REPRODUCED AT WHOLE OR IN PART WITHOUT THE WRITTEN PERMISSION OF DANDR ELECTRONICS CO. LTD.		APRIL 1, 2009
2018 Expedition Max Subframe Frame Rear Base		A
MFG. NO. Frame Rear Base-0129A		
USED ON: 933-0129A		
MATERIAL 12 GA CRS		
FINISH		
SHEET 1 OF 1		

REV.	DESCRIPTION	BY	DATE	APPROVED



FLAT PATTERN



**FORM IN PAIR**  
**1 AS SHOWN PS**  
**1 OPP HAND DS**

FINISH	NAME	DATE	SIZE
	MQ	04/JAN/19	A
	AD	04/JAN/19	
	THE INFORMATION CONTAINED WITHIN THIS DRAWING IS PROPRIETARY AND CONFIDENTIAL, AND IS THE SOLE PROPERTY OF DANDR ELECTRONICS CO., LTD. IT MAY NOT BE REPRODUCED AT WHOLE OR IN PART WITHOUT THE WRITTEN PERMISSION OF DANDR ELECTRONICS CO., LTD.		
	<b>2018 Expedition Max Subframe</b> <b>Frame Rear Cross</b>		
	MFG. NO. 933-0129A USED ON: Frame Side Leg-0129A CATALOG. NO. 933-0129A		
	MATERIAL 12 GA CRS		
	SHEET 1 OF 1		
	REV. 0		

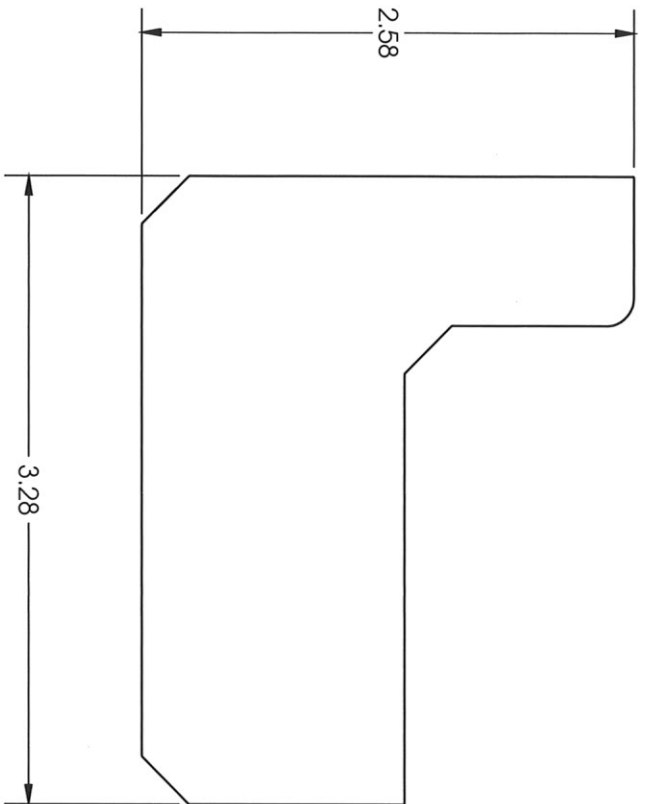
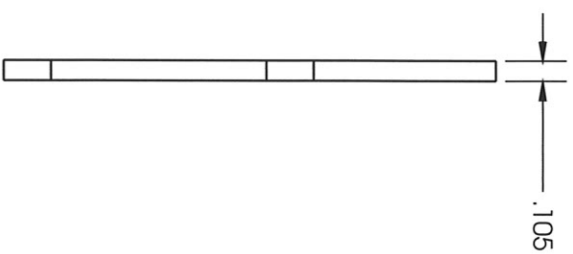
DANDR-ANSI-A  
 REV2  
 APRIL 1, 2009

Path: \\server-61\mechanical\MECH\_DATA\933 Storage Drawings\933-0129A - 2018 Expedition Max Subframe\1  
 File: Frame Side Leg-0129A Date: Friday, January 04, 2019 9:43:57 AM

DESCRIPTION:



REV.	DESCRIPTION	BY	DATE	APPROVED



FLAT PATTERN

4 PER SUBFRAME

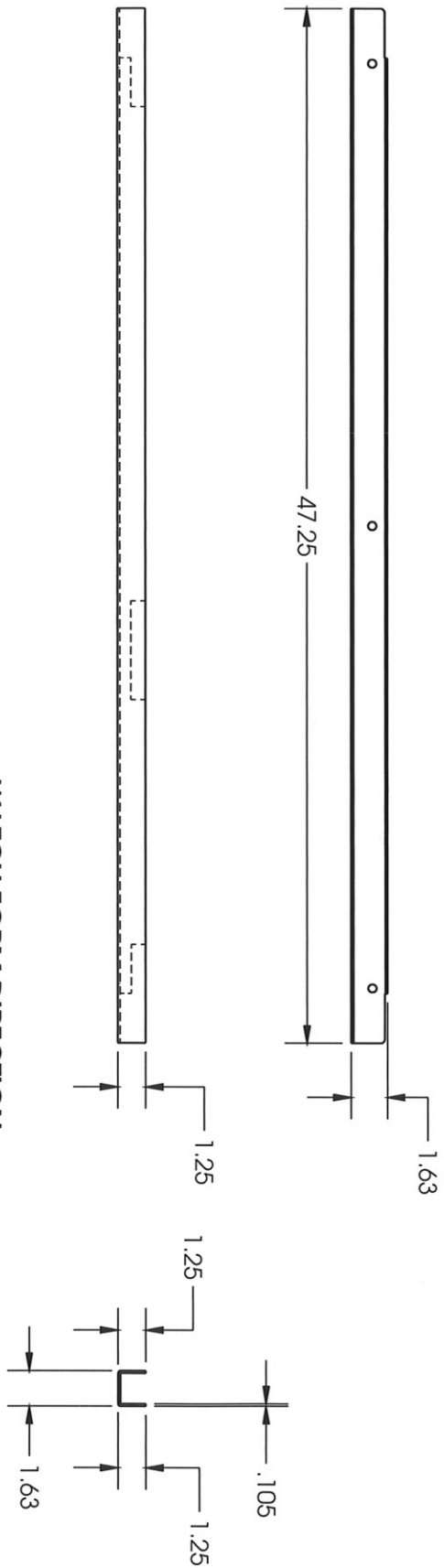
DRAWN	NAME	DATE	SIZE
MQ	MQ	04JAN19	A
CHECKED	AD	04JAN19	
<p>THE INFORMATION CONTAINED WITHIN THIS DRAWING IS PROPRIETARY AND CONFIDENTIAL, AND IS THE SOLE PROPERTY OF DANDR ELECTRONICS CO., LTD. IT MAY NOT BE REPRODUCED AT WHOLE OR IN PART WITHOUT THE WRITTEN PERMISSION OF DANDR ELECTRONICS CO., LTD.</p>			
<p>W/F6: INC  <b>Frame Rear Base Filler-0129A</b></p>		<p>CATALOG NO.  <b>933-0129A</b></p>	
<p>USED ON:  <b>933-0129A</b></p>		<p>SHEET 1 OF 1</p>	
<p>FINISH</p>		<p>MATERIAL  <b>12 GA CRS</b></p>	
<p>REV. <b>0</b></p>		<p>REV. <b>0</b></p>	

**2018 Expedition Max Subframe  
Frame Rear Base Filler**

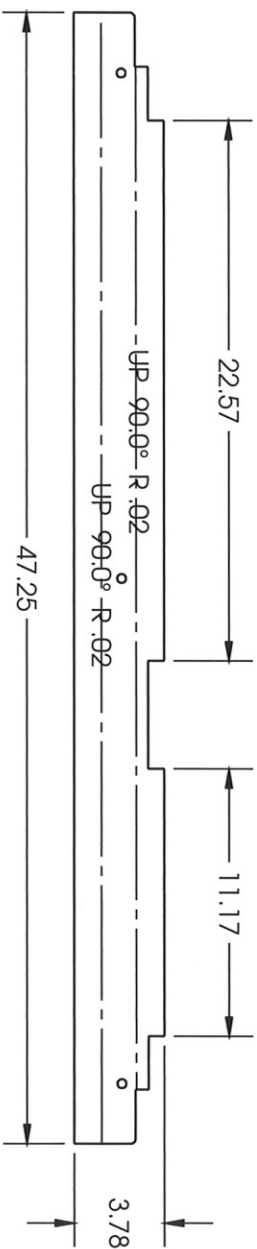
DANDR-ANSI-A  
REV2  
APRIL 1, 2009

Path: \\server-fs1\mechanical\MECH\_DATA\933 Storage Drawers\933-0129A - 2018 Expedition Max Subframe\1  
File: Frame Rear Base Filler-0129A.Dwg; Friday, January 04, 2019 9:27:50 AM  
DESCRIPTION:

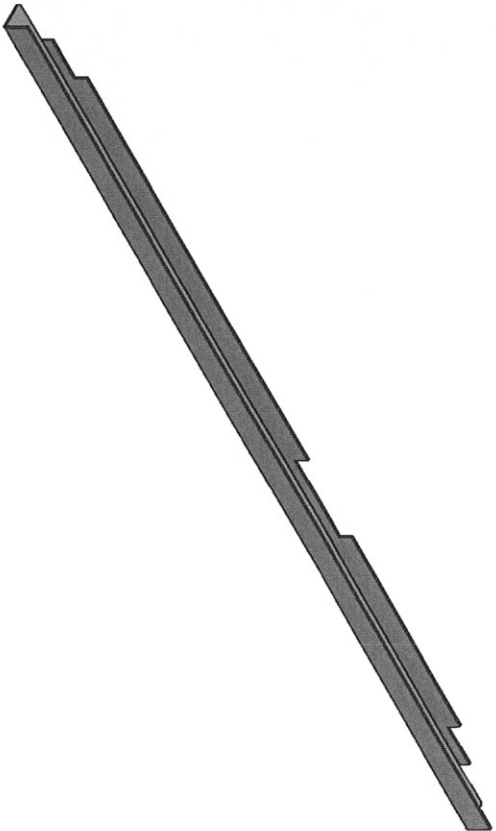
REV	DESCRIPTION	BY	DATE	APPROVED



WATCH FORM DIRECTION



FLAT PATTERN



NAME	DATE	SIZE
MQ	04JAN19	A
AD	04JAN19	

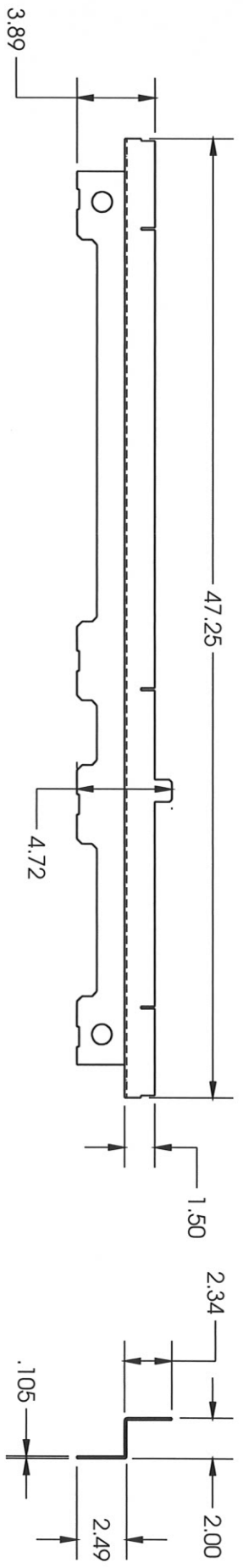
DRAWN: MQ  
 CHECKED: AD  
 DATE: 04JAN19

THE INFORMATION CONTAINED  
 WITHIN THIS DRAWING IS  
 PROPRIETARY AND CONFIDENTIAL.  
 AND IS THE SOLE  
 PROPERTY OF DANDR  
 ELECTRONICS CO., LTD. IT MAY  
 NOT BE REPRODUCED AT WHOLE  
 OR IN PART WITHOUT THE  
 WRITTEN PERMISSION OF DANDR  
 ELECTRONICS CO., LTD.

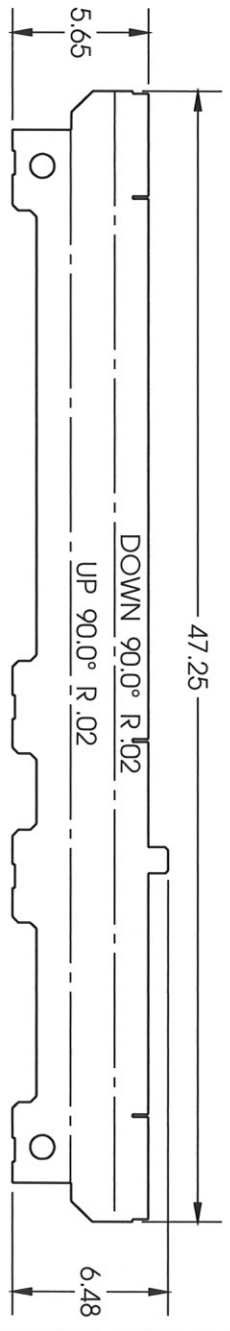
**2018 Expedition Max Subframe**  
**Frame Rear Cross**

FILE NO: 933-0129A  
 USED ON: 933-0129A  
 MATERIAL: 12 GA CRS  
 FINISH:    
 SHEET 1 OF 1

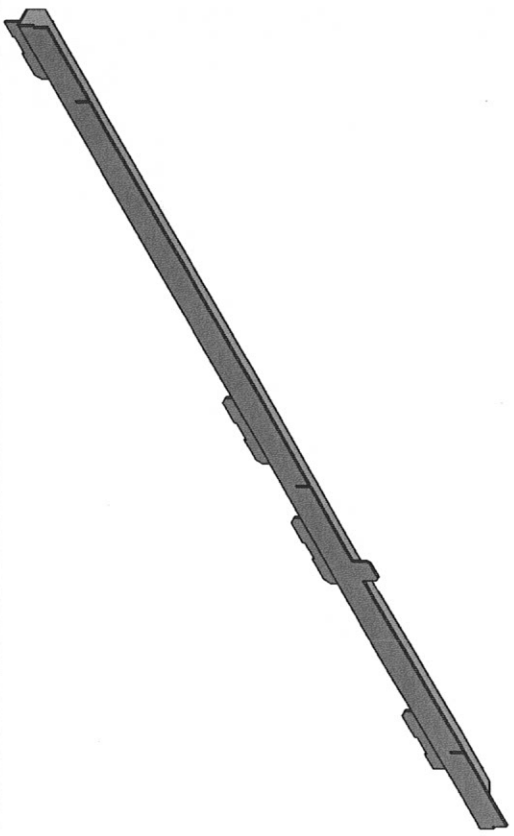
REV.	DESCRIPTION	BY	DATE	APPROVED
------	-------------	----	------	----------



WATCH FORM DIRECTION

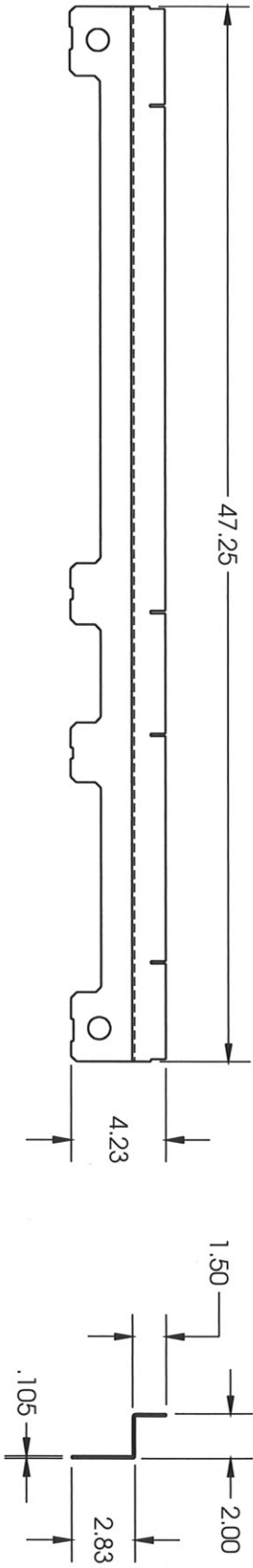


FLAT PATTERN

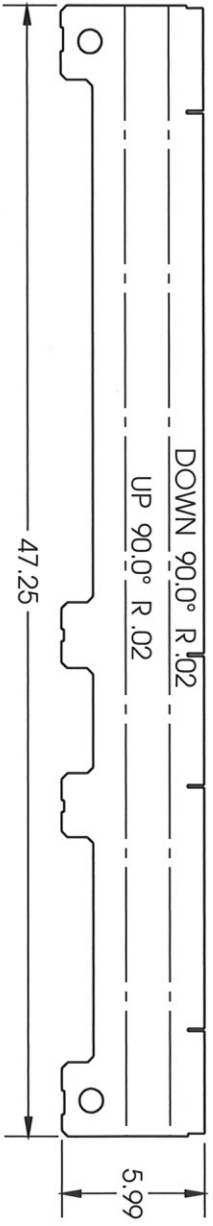


NAME	DATE	SIZE
MQ	04/JAN/19	A
CHECKED	AD	04/JAN/19
THE INFORMATION CONTAINED WITHIN THIS DRAWING IS PROPRIETARY AND CONFIDENTIAL. AND IS THE SOLE PROPERTY OF DANDR ELECTRONICS CO., LTD. IT MAY NOT BE REPRODUCED AT WHOLE OR IN PART WITHOUT THE WRITTEN PERMISSION OF DANDR ELECTRONICS CO., LTD.		
<b>2018 Expedition Max Subframe</b> <b>Frame Center Back Enforce</b>		
FIG. NO.	CATALOG NO.	
0129A	933-0129A	
USED ON: Frame Center Back Enforce-0129A		
MATERIAL	12 GA CRS	REV. 0
FINISH		
DANDR-ANSI-A REV2 APRIL 1, 2009		
Path: \\server\as1\watch\mechanical\MECH_DATA\933 Storage Drawers\933-0129A - 2018 Expedition MAX Subframes File: Frame Center Back Enforce-0129A.Dwg; Friday, January 04, 2019 8:32:52 AM		
DESCRIPTION:		

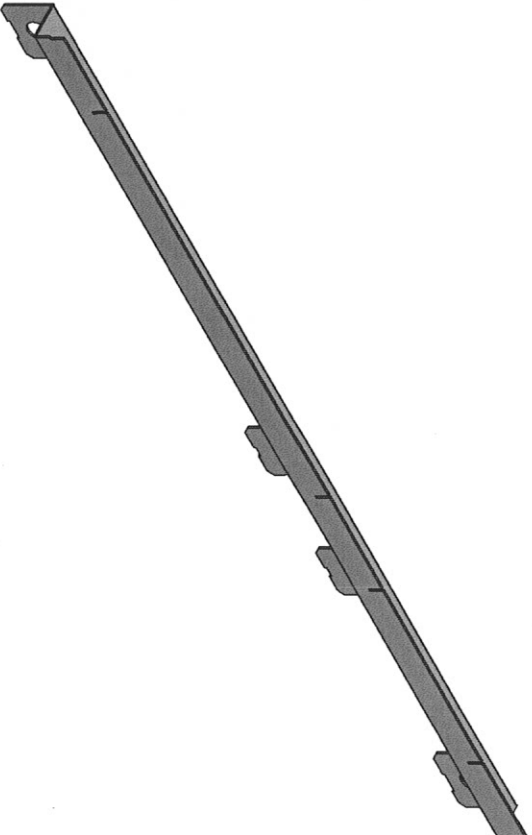
REV.	DESCRIPTION	BY	DATE	APPROVED



WATCH FORM DIRECTION



FLAT PATTERN



NAME	DATE	SIZE
MQ	04JAN19	A
CHECKED	AD	04JAN19

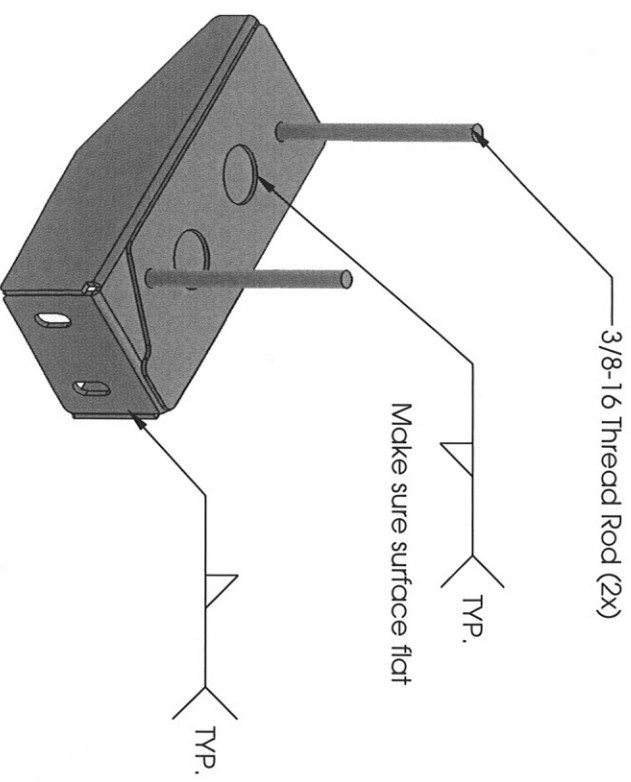
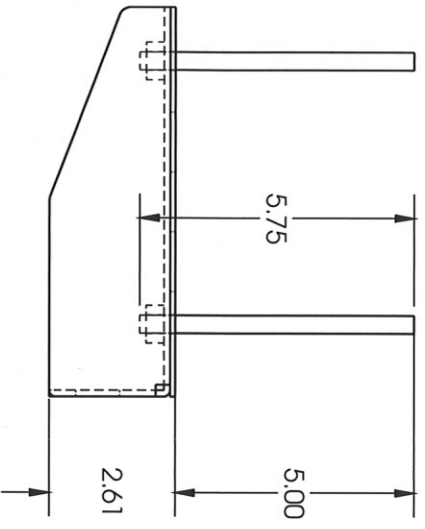
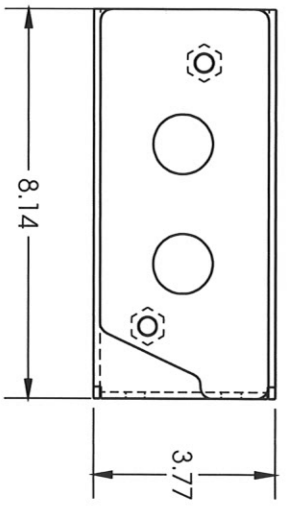
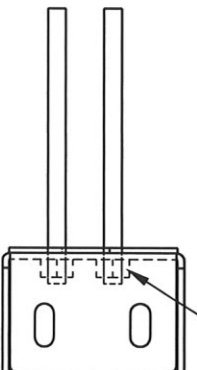
THE INFORMATION CONTAINED WITHIN THIS DRAWING IS PROPRIETARY AND CONFIDENTIAL. AND IS THE SOLE PROPERTY OF DORNER ELECTRONICS CO., LTD. IT MAY NOT BE REPRODUCED AT WHOLE OR IN PART WITHOUT THE WRITTEN PERMISSION OF DORNER ELECTRONICS CO., LTD.

**2018 Expedition Max Subframe**  
**Frame Center Front Enforce**  
**Frame Center Front Enforce-0129A**

MFG. NO. 933-0129A  
 USED ON: 933-0129A  
 MATERIAL 12 GA CRS  
 FINISH 0

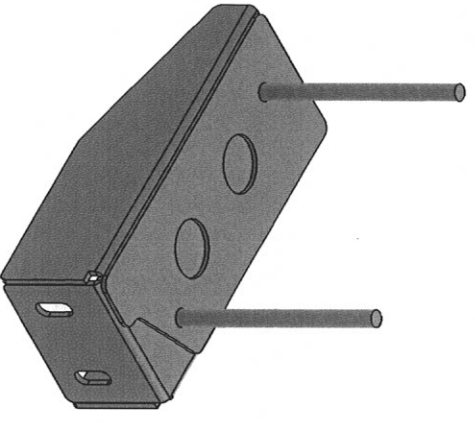
DANDR-ANSI-A  
 REVZ 1, 2009  
 APRIL 1, 2009  
 Path: \\server41\Mechanical\MECH\_DATA\933 Storage Drawers\933-0129A - 2018 Expedition MAX Subframe1  
 File: Frame Center Front Enforce-0129A.Dwg Date: Friday, January 04, 2019 8:42:12 AM

REV.	DESCRIPTION	BY	DATE	APPROVED
	3/8-16 WELD NUTS(2X) All weld together			



**DS 833-1563A**

**Build in pair  
1 as shown DS 833-1563A  
1 opp hand PS 833-1564A**

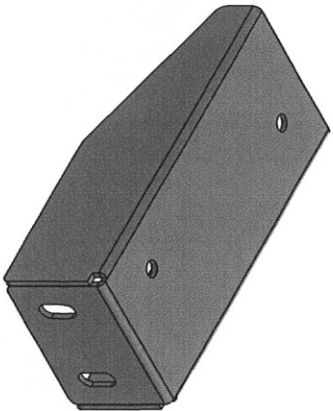
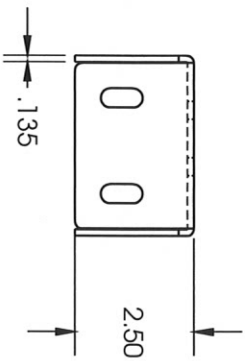
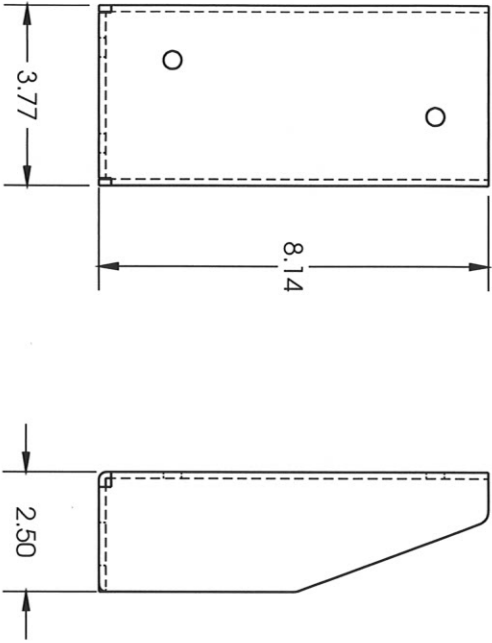


**PS 833-1564A**

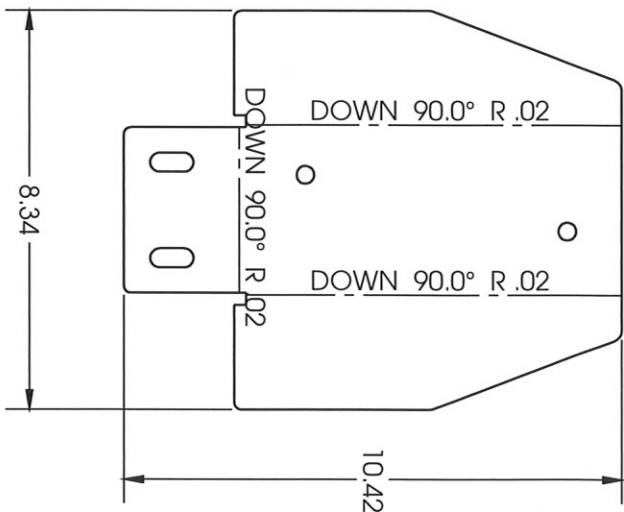
NAME	DATE	SIZE
MQ	04/JAN/19	DANDR-ANSI-A
AD	04/JAN/19	REV2 APRIL 1, 2009
<b>A</b>		
Path: \\server-fs1\mechanical\MECH_DATA\1933 Storage Drawers\1933-0129A - 2018 Expedition Max Subframe File: 833-1563A Date: Friday, January 04, 2019 2:49:19 PM Description:		
<b>2018 Expedition Max Subframe DS&amp;PS Under Vehicle Mtg Brkt</b>		
MFG. NO.	CATALOG. NO.	
833-1563A		
USED ON:		SHEET 1 OF 1
933-0129A		
FINISH	MATERIAL	REV.
Black Midnight Wrinkle	10 GA CRS/12 GA CRS	0

THE INFORMATION CONTAINED WITHIN THIS DRAWING IS PROPRIETARY AND CONFIDENTIAL. AND IS THE SOLE PROPERTY OF DandR ELECTRONICS CO., LTD. IT MAY NOT BE REPRODUCED AT WHOLE OR IN PART WITHOUT THE WRITTEN PERMISSION OF DandR ELECTRONICS CO., LTD.

REV	DESCRIPTION	BY	DATE	APPROVED



**FORM IN PAIR  
1 AS SHOWN DS  
1 OPP HAND PS**



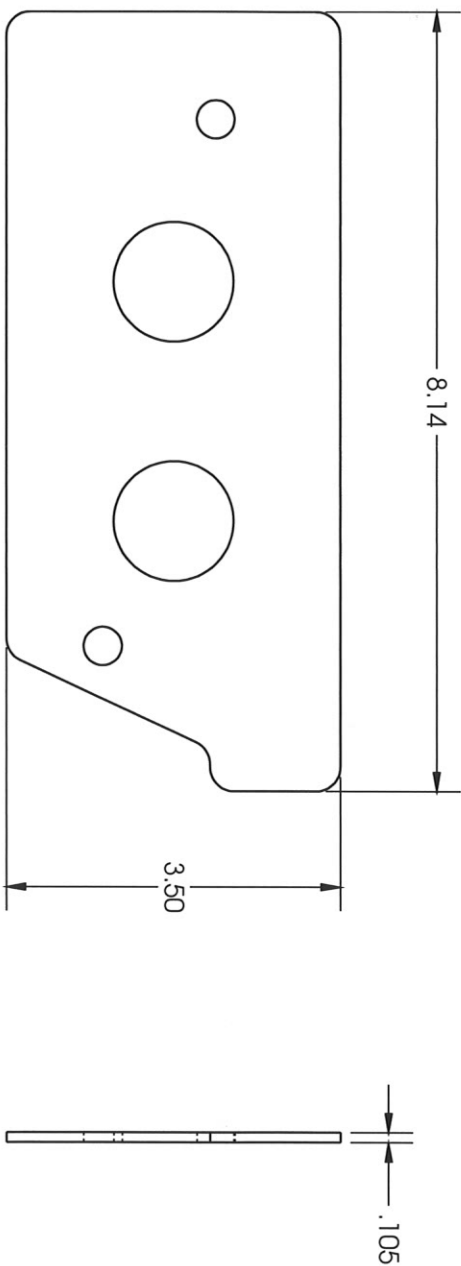
**FLAT PATTERN**

NAME	DATE	FINISH
MQ	04JAN19	10 GA CRS
CHECKED	AD	04JAN19
<p>THE INFORMATION CONTAINED WITHIN THIS DRAWING IS PROPRIETARY AND CONFIDENTIAL AND IS THE SOLE PROPERTY OF DANDR ELECTRONICS CO., LTD. IT MAY NOT BE REPRODUCED AT WHOLE OR IN PART WITHOUT THE WRITTEN PERMISSION OF DANDR ELECTRONICS CO., LTD.</p>		
<p><b>2018 Expedition Max Subframe Under Vehicle Base</b></p>		
<p>MFG. NO. <b>Under Vehicle DS Base-0129A</b></p>		
<p>USED ON: <b>933-0129A</b></p>		
<p>CATALOG NO. <b>933-0129A</b></p>		
<p>SHEET 1 OF 1</p>		
<p>REV. <b>0</b></p>		

DANDR-ANSI-A  
REV2  
APRIL 1, 2009  
**A**

Path: \\server41\Mechanical\MECH\_DATA\1933 Storage Drawers\1933-0129A - 2018 Expedition Max Subframe\1  
File: Under Vehicle DS Base-0129A Date: Friday, January 04, 2019 2:20:09 PM


REV.	DESCRIPTION	BY	DATE	APPROVED



FLAT PATTERN

2 PER SUBFRAME

DRAWN	NAME	DATE	SIZE
AD	MQ	04/JAN/19	A
CHECKED	AD	04/JAN/19	
<p>THE INFORMATION CONTAINED WITHIN THIS DRAWING IS PROPRIETARY AND CONFIDENTIAL. AND IS THE SOLE PROPERTY OF DANDR ELECTRONICS CO., LTD. IT MAY NOT BE REPRODUCED AT WHOLE OR IN PART WITHOUT THE WRITTEN PERMISSION OF DANDR ELECTRONICS CO., LTD.</p>			
MFG. NO.		CATALOG NO.	
USED ON:			
MATERIAL			
FINISH			

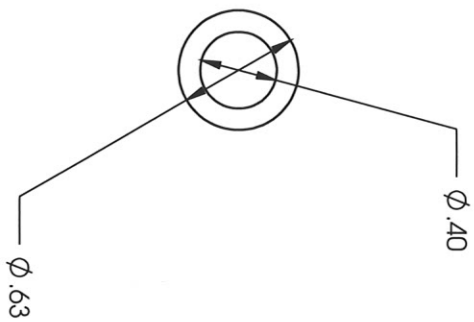
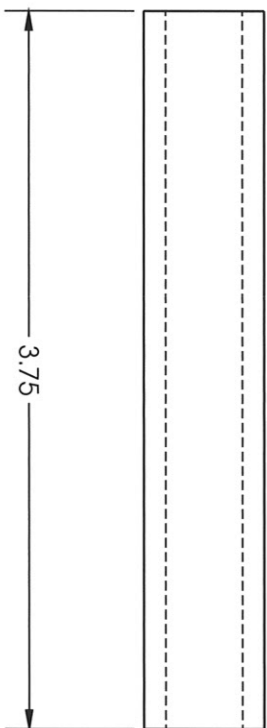
  
 DANDR-ANSI-A  
 REV2  
 APRIL 1, 2009  
 Path: \\server-45\Mechanical\MECH\_DATA\933 Storage Drawers\933-0129A-2018 Expedition Max Subframe  
 File: Under Vehicle Base Filler-0129A.dwg; Friday, January 04, 2019 2:33:54 PM  
 DESCRIPTION:

**2018 Expedition Max Subframe**  
**Under Vehicle Base Filler**

Under Vehicle Base Filler-0129A  
 SHEET 1 OF 1

12 GA CRS  
 0

REV	DESCRIPTION	BY	DATE	APPROVED

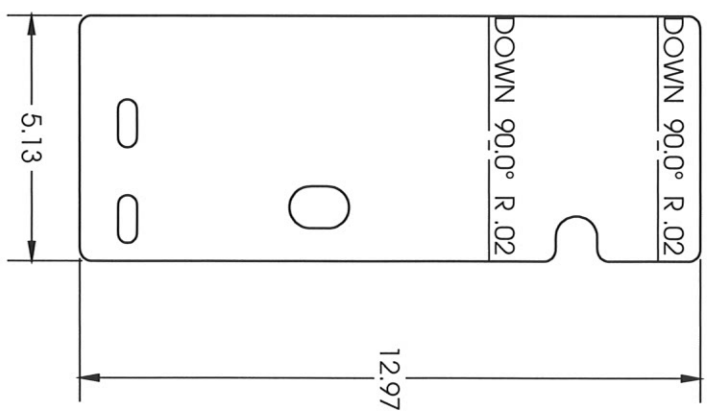
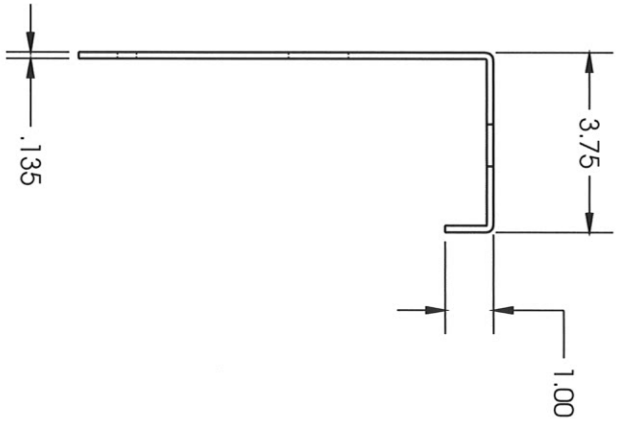
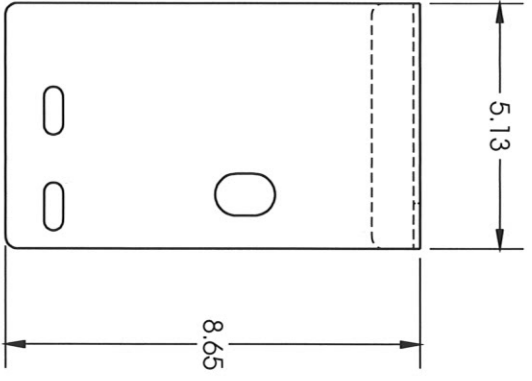
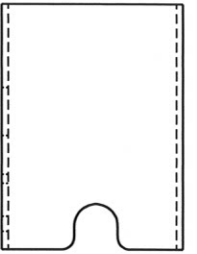


**4 PER UNIT**

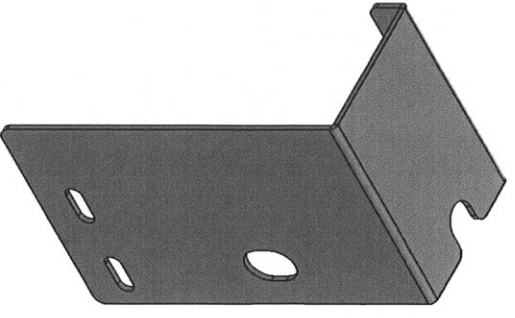
NAME	DATE	DESCRIPTION
DRAWN: MQ	04JAN19	THE INFORMATION CONTAINED WITHIN THIS DRAWING IS PROPRIETARY AND CONFIDENTIAL, AND IS THE SOLE PROPERTY OF DANDR ELECTRONICS CO., LTD. IT MAY NOT BE REPRODUCED AT WHOLE OR IN PART WITHOUT THE WRITTEN PERMISSION OF DANDR ELECTRONICS CO., LTD.
CHECKED: AD	04JAN19	
DANDR-ANSI-A REVZ 1,2009 APRIL 1,2009 SIZE <b>A</b>		<b>2018 Expedition Max Subframe Under Vehicle Sleeve</b> MFG. NO. <b>833-1600A</b> USED ON: <b>933-0129A</b> CATALOG NO.
Path: \\server41\Mechanical\MECH DATA\933 Storage Drawers\933-0129A - 2018 Expedition Max Subframe\		MATERIAL: <b>STEEL TUBING</b>
File: 833-1600A Date: Friday, January 04, 2019 2:52:21 PM		FINISH: <b>Black Midnight Wrinkle</b>
SHEET 1 OF 1		REV. <b>0</b>



REV	DESCRIPTION	BY	DATE	APPROVED



FLAT PATTERN

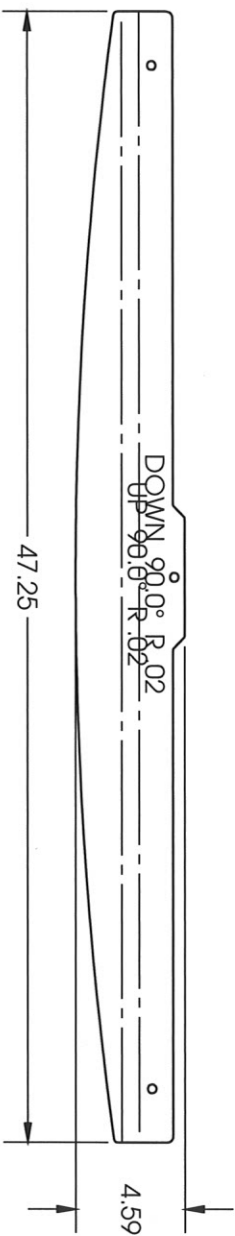
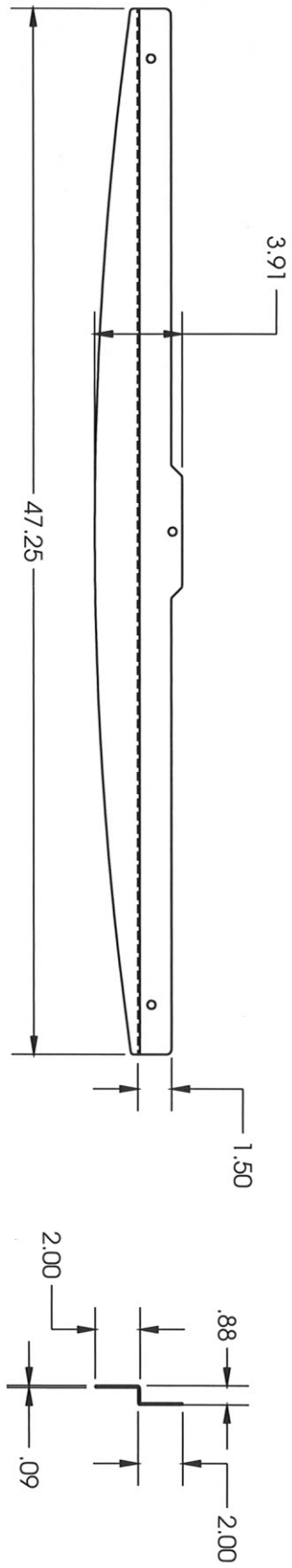


**FORM IN PAIR**  
**1 AS SHOWN DS 833-1565A**  
**1 OPP HAND PS 833-1566A**

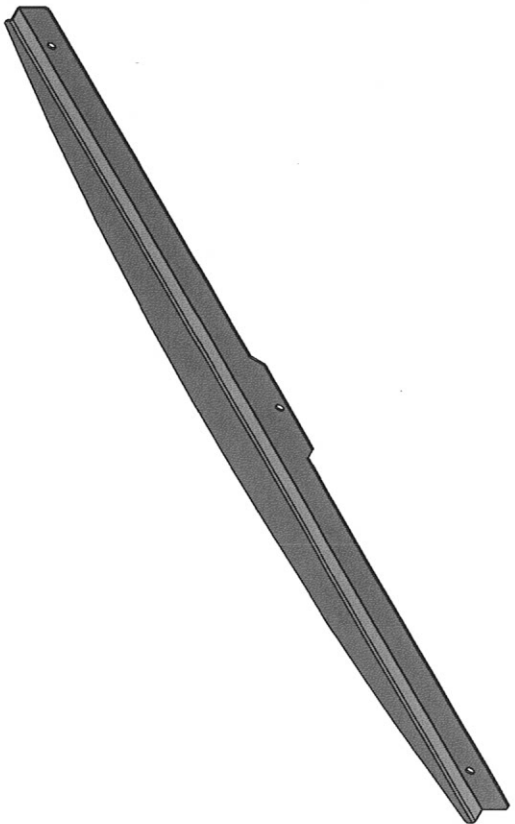
NAME	DATE	SIZE
M/Q	04JAN19	A
CHECKED	AD	04JAN19
THE INFORMATION CONTAINED WITHIN THIS DRAWING IS PROPRIETARY AND CONFIDENTIAL. AND IS THE SOLE PROPERTY OF DORNER ELECTRONICS LTD. IT MAY NOT BE REPRODUCED, COPIED, OR IN ANY MANNER, WITHOUT THE WRITTEN PERMISSION OF DORNER ELECTRONICS CO., LTD.		
<b>2018 Expedition Max Subframe Under Vehicle Holding Chan</b>		
FIG. NO.	833-1565A	CATALOG NO.
USED ON:	933-0129A	SHEET 1 OF 1
FINISH	Black Midnight Wrinkle	REV.
MATERIAL	10 GA CRS	0

DAANDR-ANSI-A  
 REV2  
 APRIL 1, 2009  
 Path: \\server-61\Mechanical\MECH DATA\933 Storage Drawers\933-0129A - 2018 Expedition Max Subframe1  
 File: 833-1565A  
 Date: Friday, January 04, 2019 2:14:51 PM

REV	DESCRIPTION	BY	DATE	APPROVED

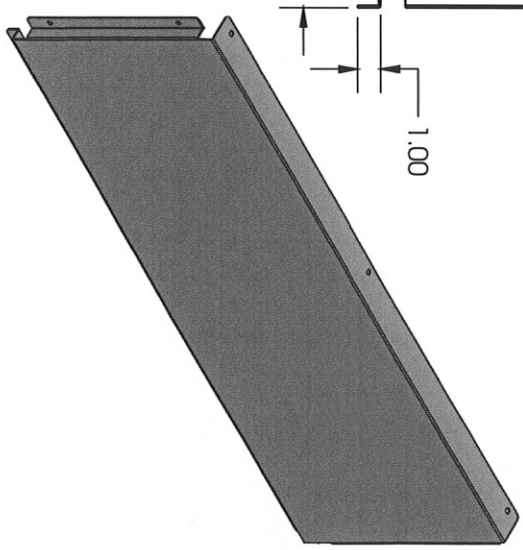
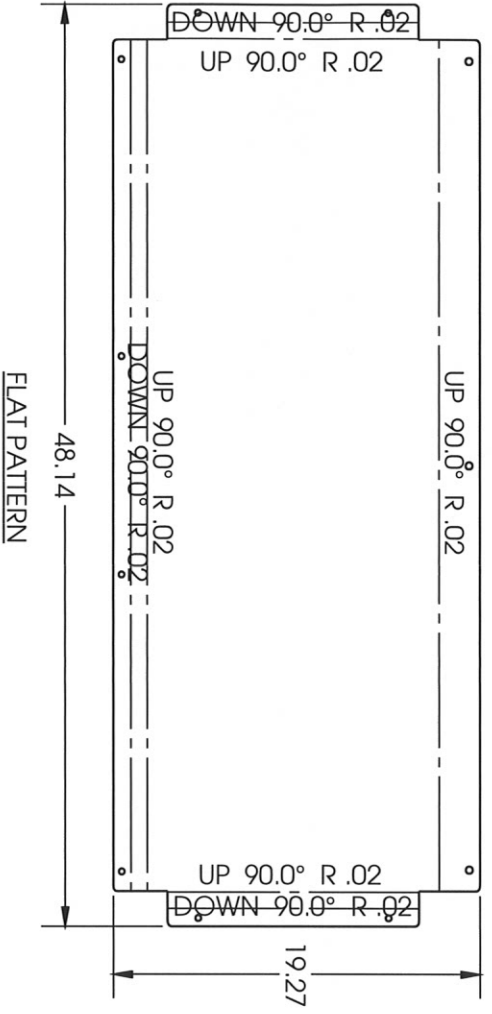
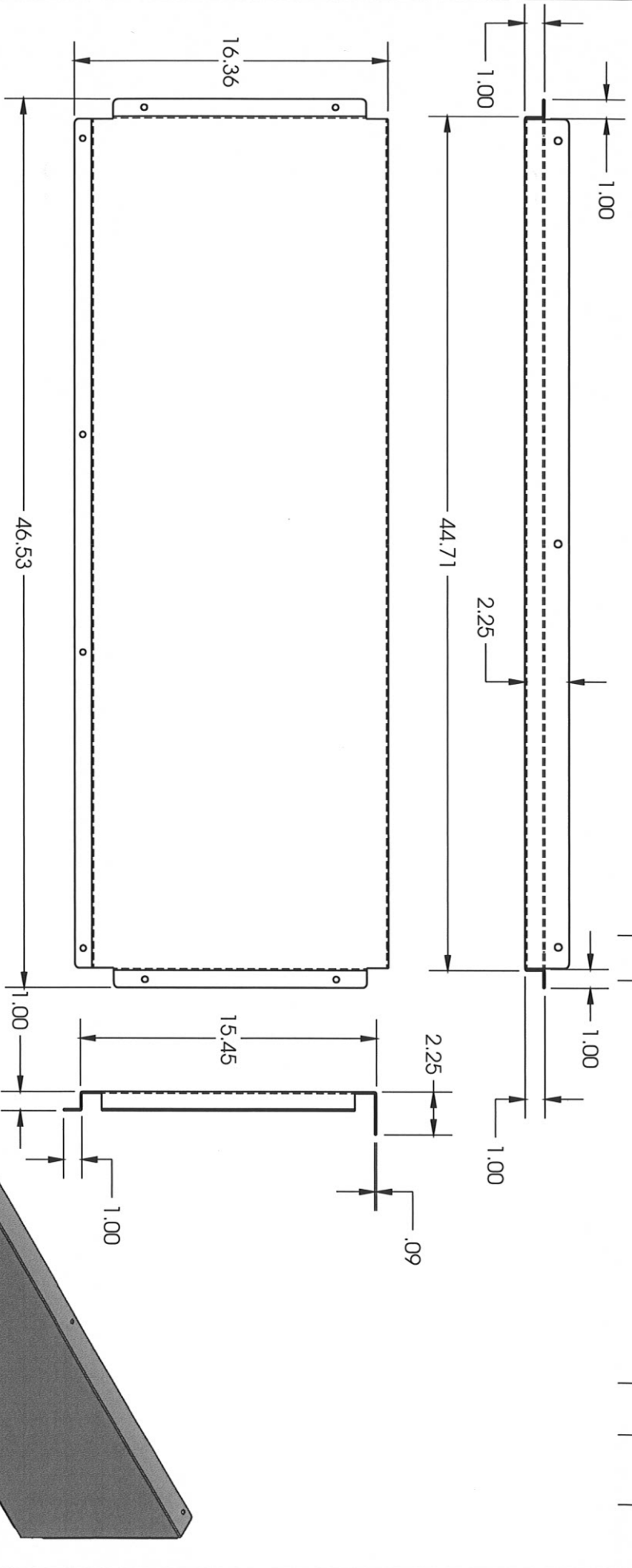


FLAT PATTERN



NAME	DATE	SIZE
DRAWN MQ	04/JAN/19	DANDR-ANSI-A
CHECKED AD	04/JAN/19	REV2
THE INFORMATION CONTAINED WITHIN THIS DRAWING IS PROPRIETARY AND CONFIDENTIAL. AND IS THE SOLE PROPERTY OF DANDR ELECTRONICS CO., LTD. IT MAY NOT BE REPRODUCED AT WHOLE OR IN PART WITHOUT THE WRITTEN PERMISSION OF DANDR ELECTRONICS CO., LTD.		APRIL 1, 2009
MFG. NO. <b>833-1568A</b>		<b>A</b>
USED ON: <b>933-0129A</b>		DATE: Friday, January 04, 2019 3:16:32 PM
FINISH <b>Black Midnight Wrinkle</b>		DESCRIPTION: <b>2018 Expedition Max Subframe            Frame Rear Cover</b>
MATERIAL <b>0.090" ALUM</b>		CATALOG NO.
REV. <b>0</b>		SHEET 1 OF 1

REV.	DESCRIPTION	BY	DATE	APPROVED



NAME	DATE	DESCRIPTION	SIZE
MQ	04JAN19	DANDR-ANSI-A	A
AD	04JAN19	REV2	
AD	04JAN19	APRIL 1, 2009	

Path: \\server-65\mechanical\MECH\_DATA\933 Storage Drawers\933-0129A - 2018 Expedition Max Subframe\1  
 File: 833-1567A  
 Date: Friday, January 04, 2019 4:08:15 PM

**2018 Expedition Max Subframe**  
**Elec mtg sub panel**

THE INFORMATION CONTAINED WITHIN THIS DRAWING IS PROPRIETARY AND CONFIDENTIAL, AND IS THE SOLE PROPERTY OF DANDR ELECTRONICS CO., LTD. IT MAY NOT BE REPRODUCED AT WHOLE OR IN PART WITHOUT THE WRITTEN PERMISSION OF DANDR ELECTRONICS CO., LTD.

MFG. NO. **833-1567A**  
 USED ON: 933-0129A  
 CATALOG NO.

FINISH: Black Midnight Wrinkle  
 MATERIAL: 0.090" ALUM  
 SHEET 1 OF 1  
 REV. 0