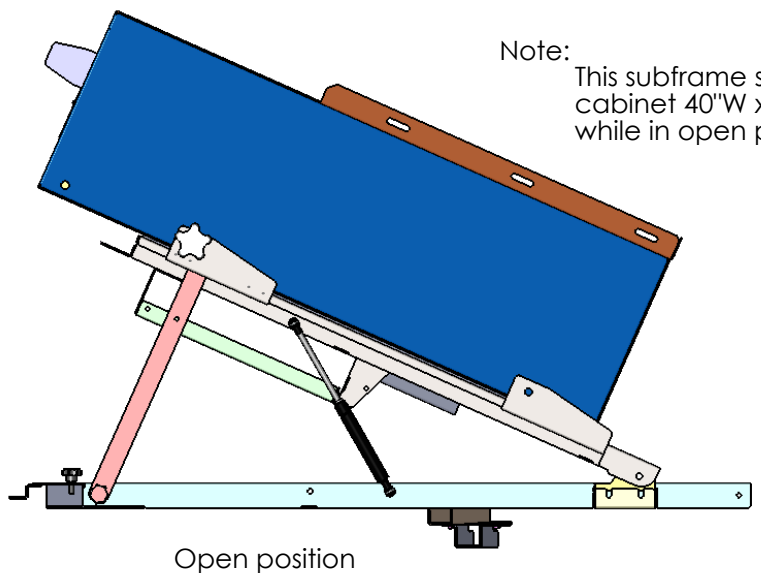
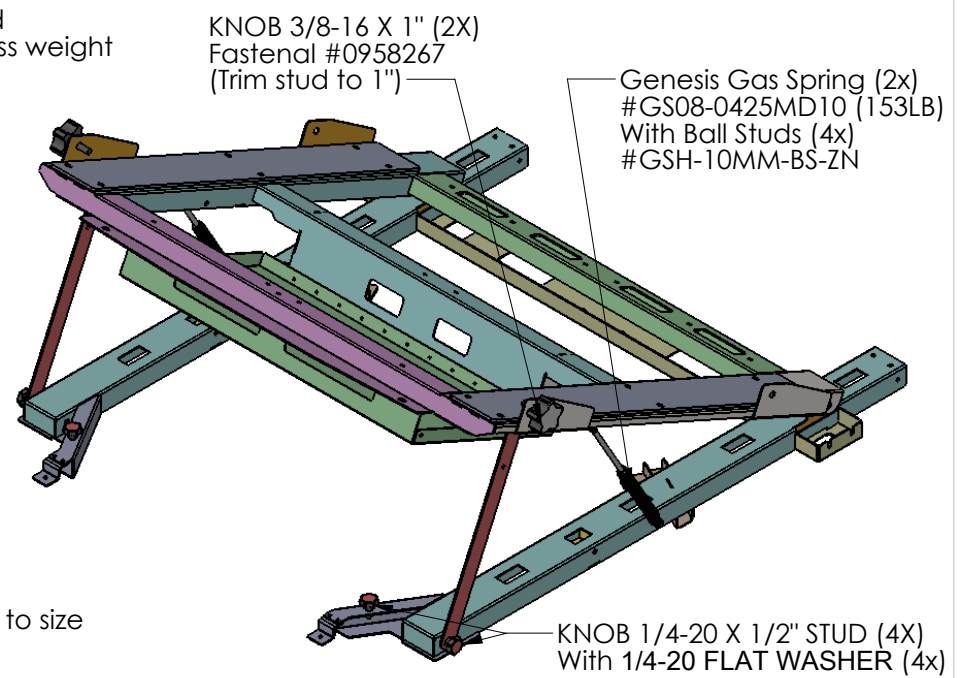


REV.	DESCRIPTION	BY	DATE	APPROVED



Note:  
This subframe support unloaded cabinet 40"W x 12"H x 38"D or less weight while in open position

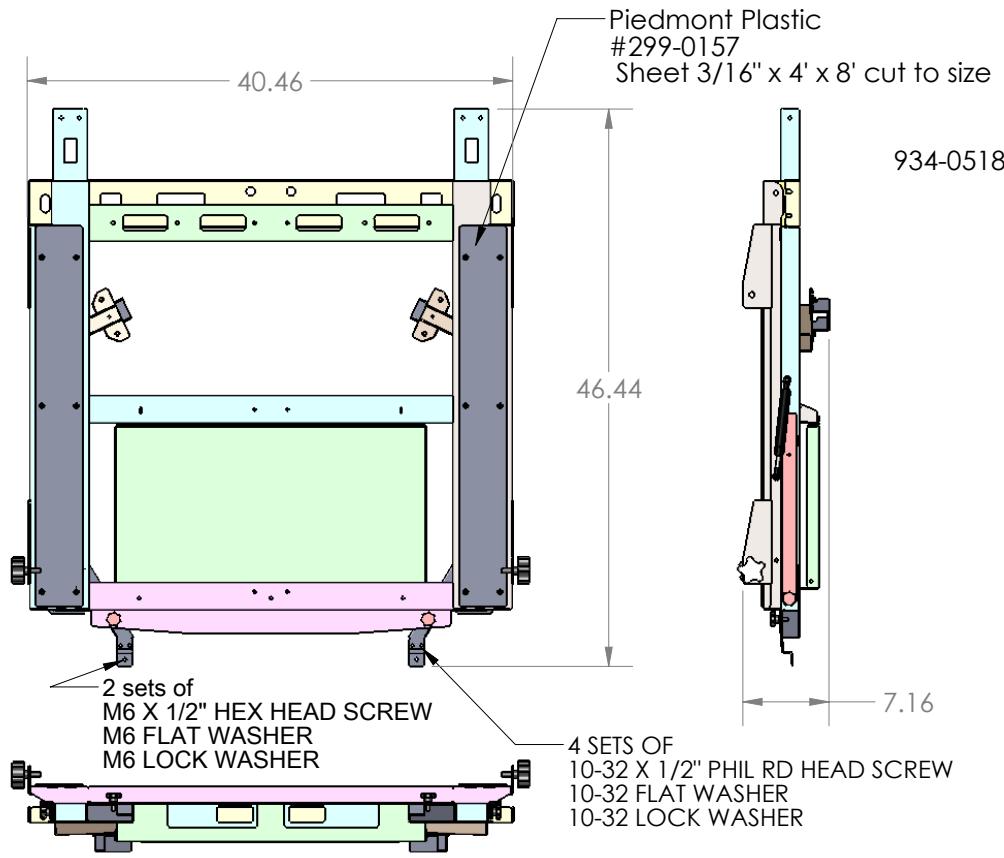
Open position



KNOB 3/8-16 X 1" (2X)  
Fastenal #0958267  
(Trim stud to 1")

Genesis Gas Spring (2x)  
#GS08-0425MD10 (153LB)  
With Ball Studs (4x)  
#GSH-10MM-BS-ZN

KNOB 1/4-20 X 1/2" STUD (4X)  
With 1/4-20 FLAT WASHER (4X)

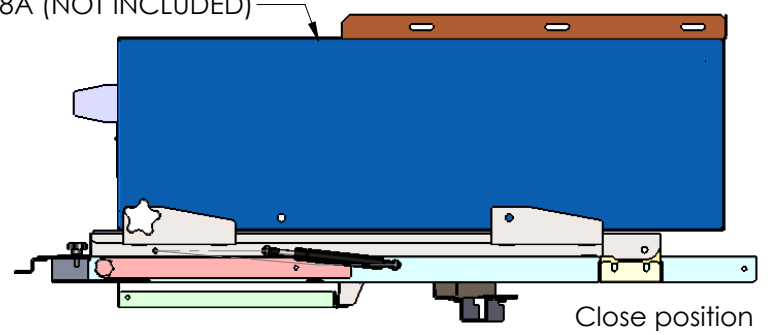


Piedmont Plastic  
#299-0157  
Sheet 3/16" x 4' x 8' cut to size

2 sets of  
M6 X 1/2" HEX HEAD SCREW  
M6 FLAT WASHER  
M6 LOCK WASHER

4 SETS OF  
10-32 X 1/2" PHIL RD HEAD SCREW  
10-32 FLAT WASHER  
10-32 LOCK WASHER

934-0518A (NOT INCLUDED)



Close position

DRAWN	NAME MQ	DATE 17FEB15	 DANDR-ANSI-A REV2 APRIL 1, 2009	SIZE <b>A</b>
CHECKED	AD	17FEB15		Path: Y:\M\MECH_DATA\933 Storage Drawers\933-0133A Explorer2014 Lifiable Subframe\         File: 933-0113A         Date: Friday, February 20, 2015 8:56:35 AM
THE INFORMATION CONTAINED WITHIN THIS DRAWING IS PROPRIETARY AND CONFIDENTIAL AND IS THE SOLE PROPERTY OF DANDR ELECTRONICS CO. LTD. IT MAY NOT BE REPRODUCED AT WHOLE OR IN PART WITHOUT THE WRITTEN PERMISSION OF DANDR ELECTRONICS CO. LTD.			DESCRIPTION: <b>Ford 2013 Explorer Lifiable Subframe</b>	
MFG. NO.		<b>933-0113A</b>		CATALOG. NO.
USED ON:				XXX
FINISH		MATERIAL		REV.
Midnight Black Wrinkle		12 ga CRS		0
				SHEET 1 OF 1