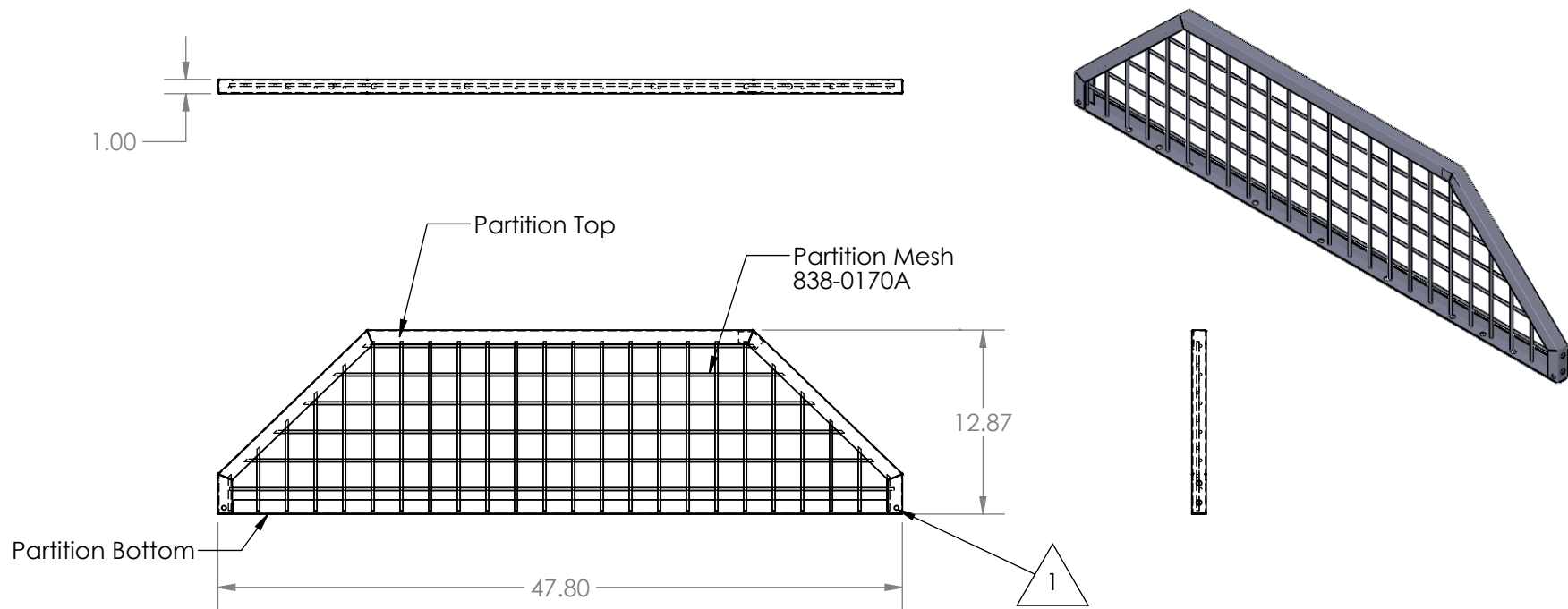


REV.	DESCRIPTION	BY	DATE	APPROVED
1	Added holes for brkt	BW	8/29/12	AD
2	Added holes to fit 934-0484A	BW	12/20/13	AD



HARDWARE LIST:

- 1pc 834-1820A Bracket RH
- 1pc 834-1821A Bracket LH
- 4pc 1/4-20 x 5/8 Hex Bolt
- 4pc 1/4 Flat Wahers
- 4pc 1/4-20 Nyloc Nut

NAME	DATE	DandR ELECTRONICS CO., LTD.		DANDR-ANSI-A	SIZE
DRAWN: JVIAS	23NOV11	DandR ELECTRONICS CO., LTD.		REV2	A
CHECKED: AD	29Aug12			APRIL 1, 2009	
THE INFORMATION CONTAINED WITHIN THIS DRAWING IS PROPRIETARY AND CONFIDENTIAL. AND IS THE SOLE PROPERTY OF DandR ELECTRONICS CO. LTD. IT MAY NOT BE REPRODUCED AT WHOLE OR IN PART WITHOUT THE WRITTEN PERMISSION OF DandR ELECTRONICS CO. LTD.		DESCRIPTION: Cargo Partition for Tahoe 2011, Based on 938-0061A			
FINISH: Midnight Black Wrinkle		MFG. NO. 938-0078A	CATALOG NO. XXX		
		USED ON: 934-0495A	SHEET 1 OF 1		
		MATERIAL: 16 ga CRS	REV. 2		