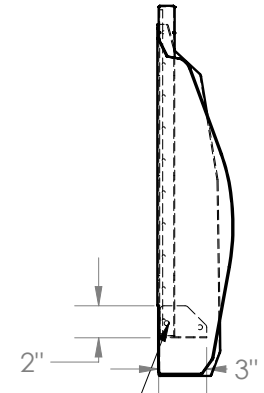
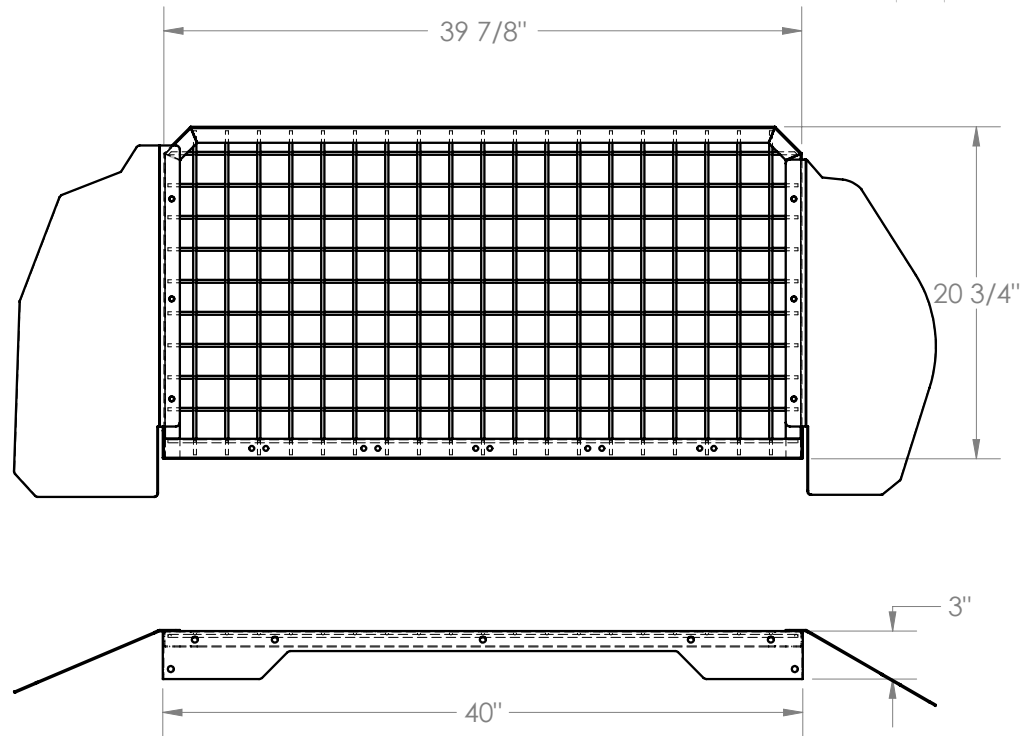
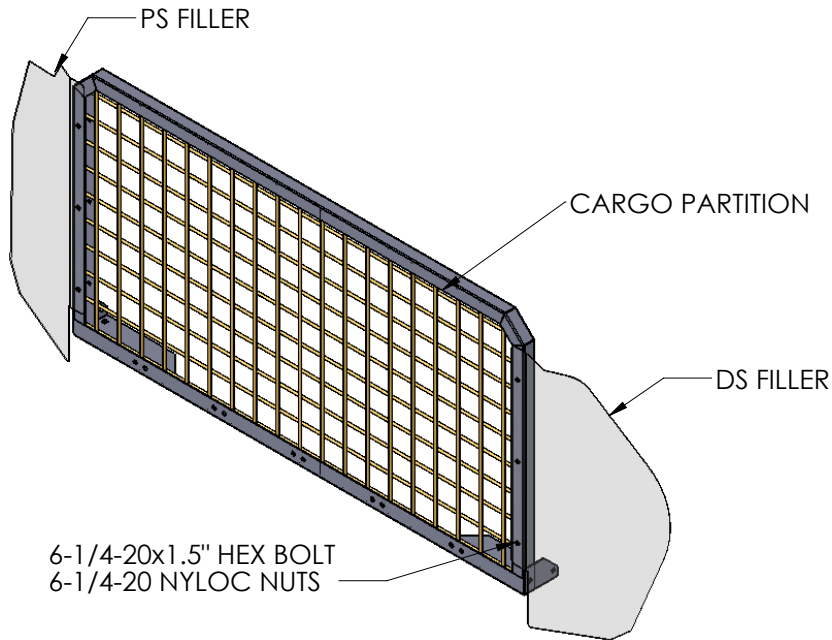


REV.	DESCRIPTION	DATE	APPROVED
------	-------------	------	----------



4 Sets of
 1/4-20 x 3/4" Bolts,
 1/4-20 Flat Washers
 1/4-20 Nyloc Nuts



NOTE: Standard Partition for 2013 Explorer Cabinets that are 12in tall.

DIMENSIONS ARE IN INCHES TOLERANCES: FRACTIONAL $\pm 1/32$ ANGULAR: $\pm .10^\circ$ TWO PLACE DECIMAL $\pm .010$ THREE PLACE DECIMAL $\pm .005$	NAME	DATE	
	DRAWN	MQ	
MATERIAL	CHECKED		2013 Expl Cargo Partition (2x2 Mesh)
	ENG APPR.		
FINISH	MFG APPR.		Path: \\server-file\data\MECH ENG\MECH_DATA\933 Storage Drawers\TS01-Ca File: 938-0079A Date: March-18-14 1:21:25 PM SIZE DWG. NO.
	Midnight Black Wrinkle	Q.A.	
	COMMENTS:		REV. 0 A 938-0079A
			USED ON: SHEET 1 OF 2