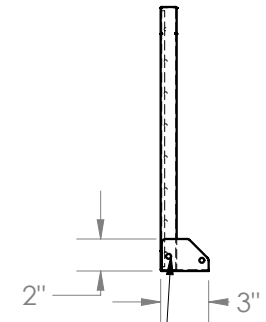
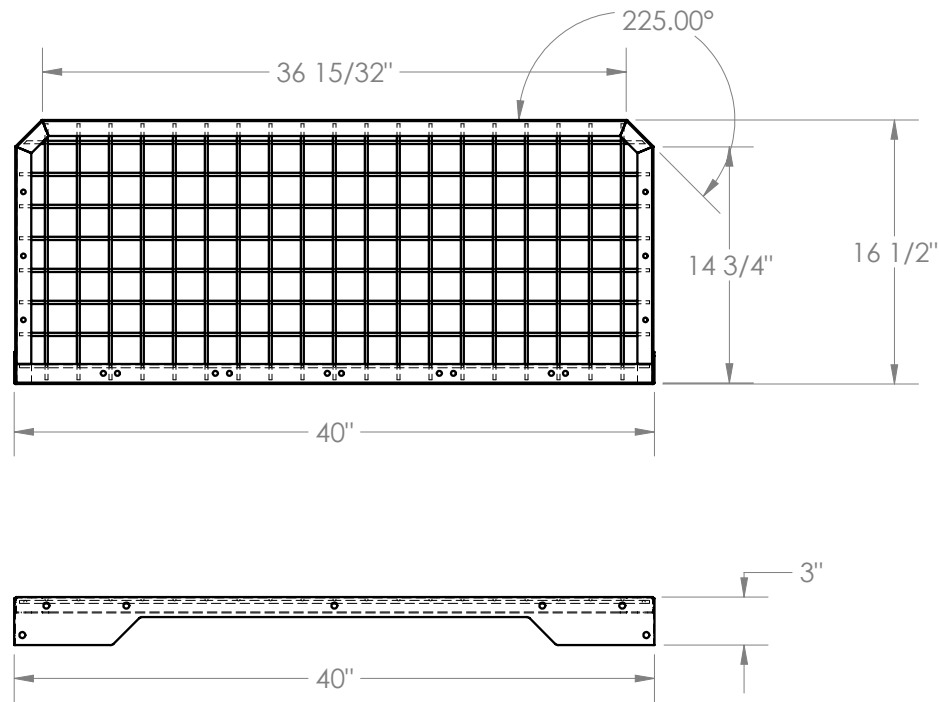
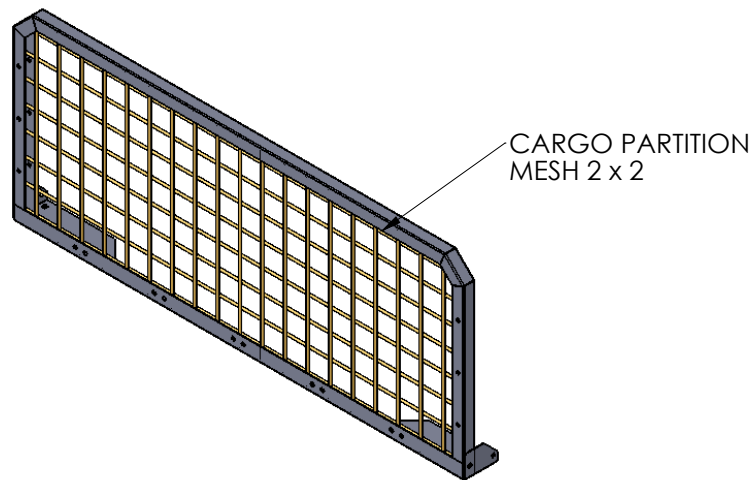


| REV. | DESCRIPTION | DATE | APPROVED |
|------|-------------|------|----------|
| | | | |



4 Sets of
 1/4-20 x 3/4" Bolts,
 1/4-20 Flat Washers
 1/4-20 Nyloc Nuts



NOTE: 2013 Explorer Cabinets that are 16in tall.

| | | | | |
|---|--------------------------------|------------------|--|---------|
| DIMENSIONS ARE IN INCHES TOLERANCES: FRACTIONAL ± 1/32 ANGULAR: ± .10° TWO PLACE DECIMAL ± .010 THREE PLACE DECIMAL ± .005 | NAME | DATE | | |
| | DRAWN | BW | | 27MAR14 |
| | CHECKED | AD | | 27MAR14 |
| | ENG APPR. | | | |
| MATERIAL | MFG APPR. | | | |
| FINISH | Q.A. | | | |
| Midnight Black Wrinkle | COMMENTS: | | | |
| | | | 2013 Expl Cargo Partition (2x2 Mesh) | |
| | | | Path: \\server-file\data\MECH ENG\MECH DESIGN\934-0619A-TS-01-40W16H26D File: 938-0095A Date: March-27-14 2:10:32 PM | |
| | SIZE | DWG. NO. | REV. | |
| | A | 938-0095A | 0 | |
| | USED ON: 934-0619A / 934-0620A | | SHEET 1 OF 2 | |