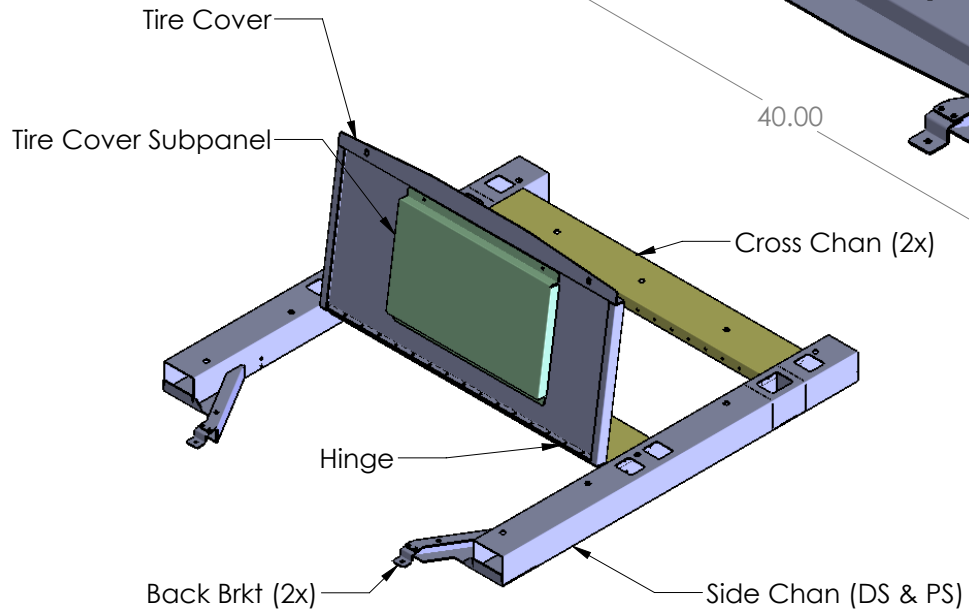
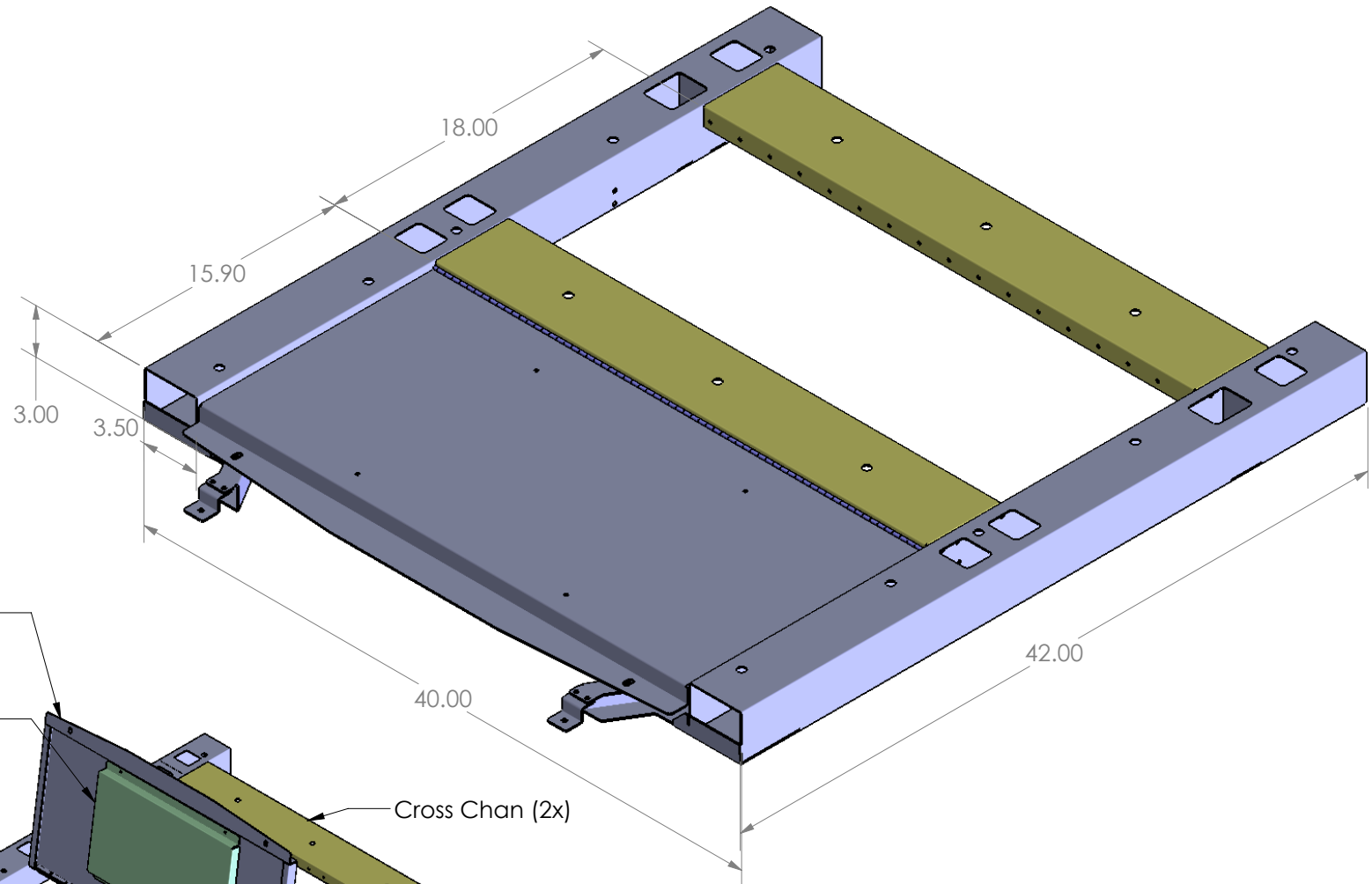


REV.	DESCRIPTION	BY	DATE	APPROVED



	NAME	DATE	DANDR ELECTRONICS CO., LTD.	DANDR-ANSI-A	SIZE
DRAWN	MQ	28MAR12		REV2	APRIL 1, 2009
CHECKED			Path: \\server-file\data\MECH ENG\MECH_DESIGN\2013 Ford Expl Subframe\ File: 933-0092A Date: Thursday, March 29, 2012 11:51:22 AM		
THE INFORMATION CONTAINED WITHIN THIS DRAWING IS PROPRIETARY AND CONFIDENTIAL. AND IS THE SOLE PROPERTY OF DandR ELECTRONICS CO. LTD. IT MAY NOT BE REPRODUCED AT WHOLE OR IN PART WITHOUT THE WRITTEN PERMISSION OF DandR ELECTRONICS CO. LTD.			DESCRIPTION: Ford 2013 Explorer Subframe		
FINISH			MFG. NO.	CATALOG. NO.	
Midnight Black Wrinkle			933-0092A	XXX	
			USED ON:		SHEET 1 OF 1
			MATERIAL		REV.
			12 ga / 14 ga CRS / 0.09" ALUM		0