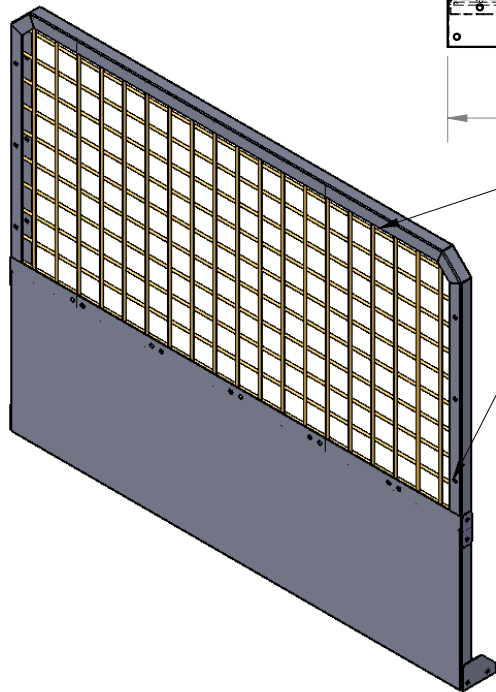
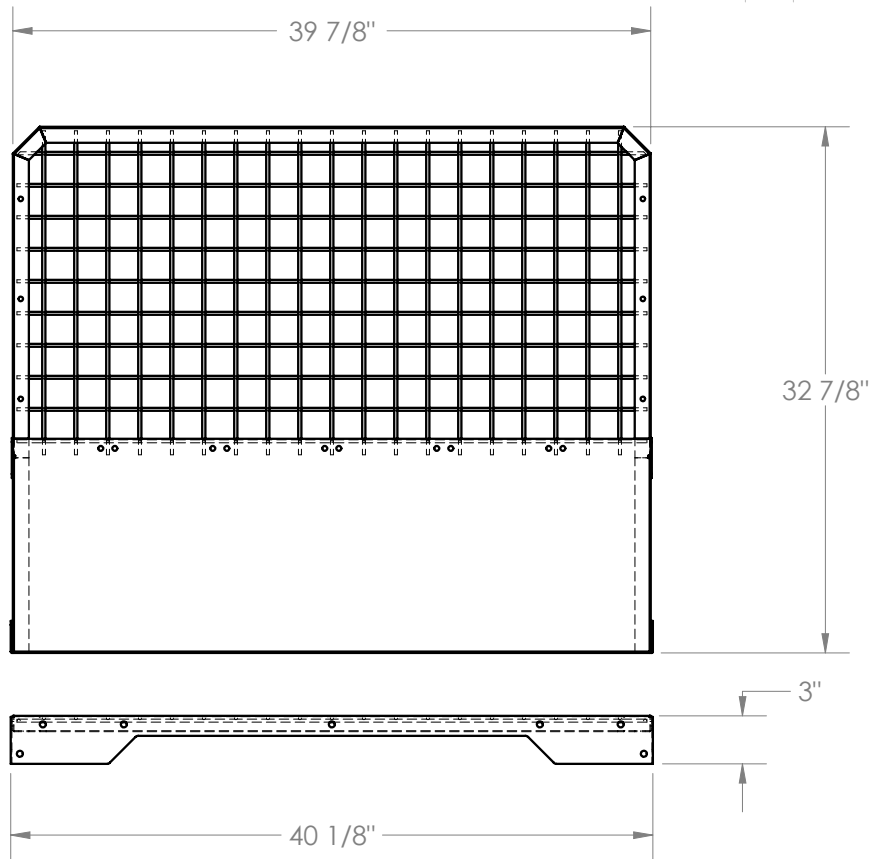


REV.	DESCRIPTION	DATE	APPROVED



CARGO PARTITION

6-1/4-20x1.5" HEX BOLT
6-1/4-20 NYLOC NUTS

DIMENSIONS ARE IN INCHES TOLERANCES: FRACTIONAL ± 1/32 ANGULAR: ± .10° TWO PLACE DECIMAL ± .010 THREE PLACE DECIMAL ± .005		NAME JV	DATE	
MATERIAL	Q.A.	COMMENTS:	Full Cargo Partition 2013 Interceptor/ Explorer	
FINISH Midnight Black Wrinkle	Path: C:\Users\jashankv\Desktop\2013 Interceptor Explorer Full Partition\ File: 938-0080A Date: Friday, May 25, 2012 8:57:51 AM SIZE DWG. NO.		REV. 0	USED ON:
			SHEET 1 OF 2	