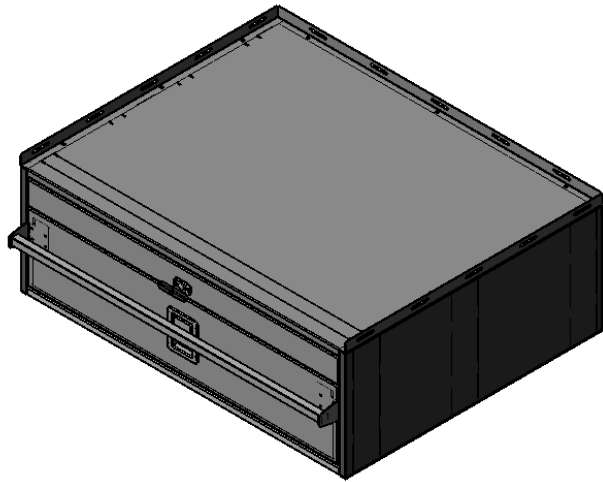
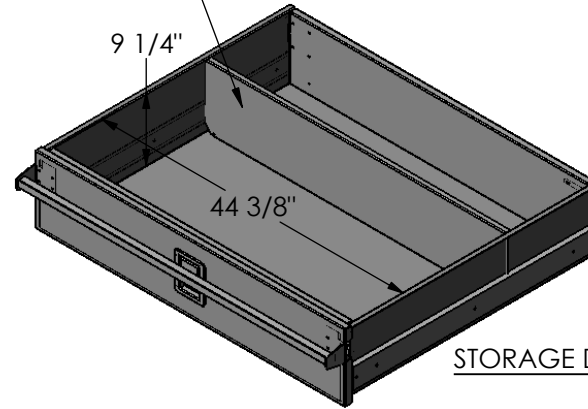


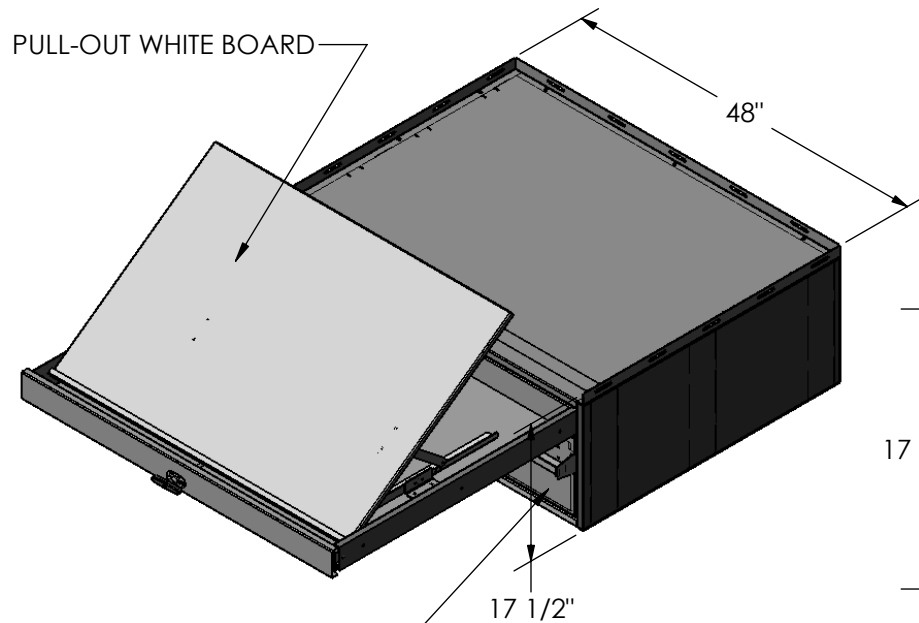
REV.	DESCRIPTION	DATE	APPROVED



DIVIDER
4 PROVIDED



STORAGE DRAWER INSIDE DIMENSIONS

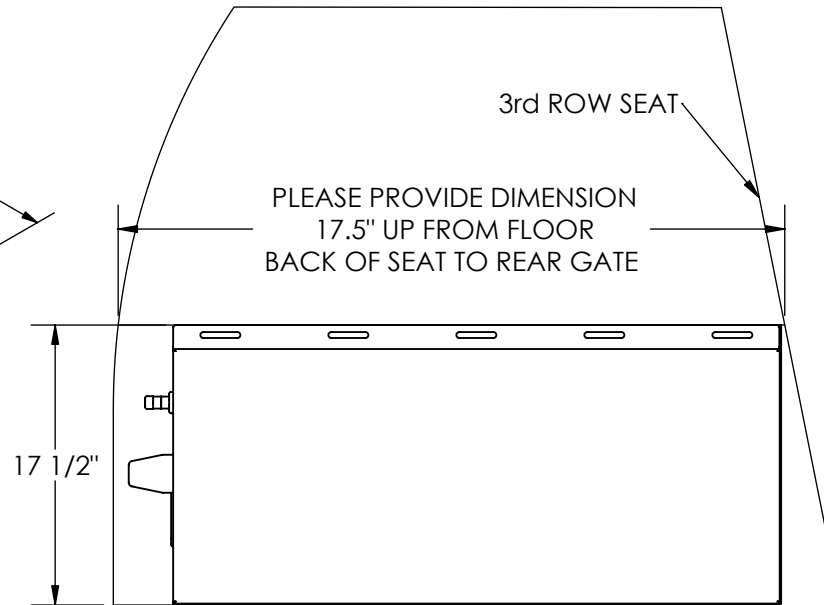


PULL-OUT WHITE BOARD

48"

17 1/2"

STORAGE DRAWER



3rd ROW SEAT

PLEASE PROVIDE DIMENSION
17.5" UP FROM FLOOR
BACK OF SEAT TO REAR GATE

17 1/2"

DIMENSIONS ARE IN INCHES TOLERANCES: FRACTIONAL ± 1/32 ANGULAR: ± .10° TWO PLACE DECIMAL ± .010 THREE PLACE DECIMAL ± .005	DRAWN	NAME	DATE		DANDR-ANSI-A REV1 APRIL 23, 2007	
	CHECKED	MG				
	COMMENTS:				Single Drawer System with Pull-Out White Board	
	MATERIAL ALUM FINISH Midnight Black Wrinkle					
CUSTOM				SIZE DWG. NO. A 934-0290A	REV. 0	
USED ON:				SHEET 1 OF 1		