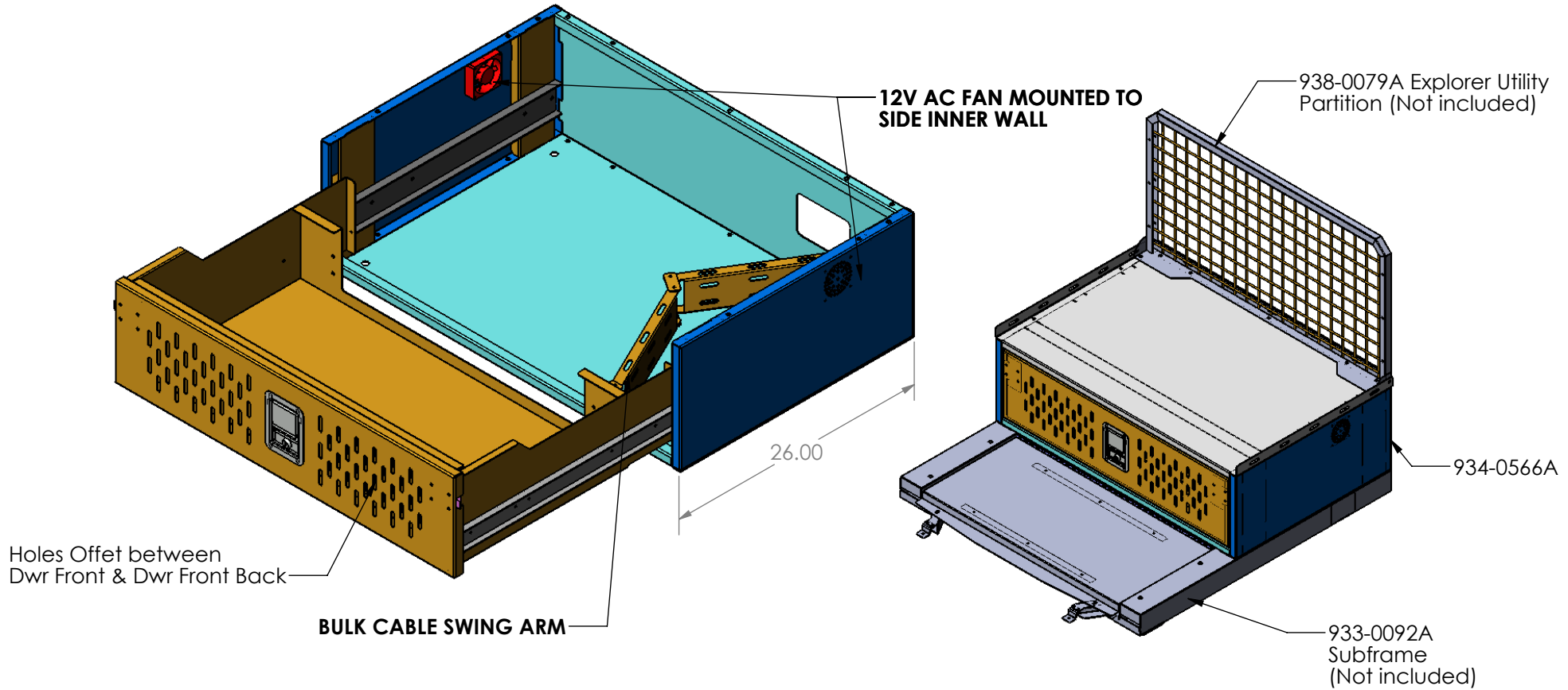


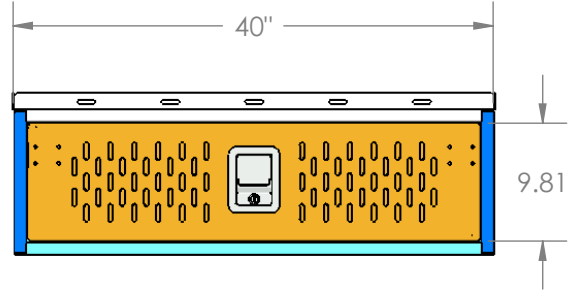
Assembly Instructions:

- Order 2X 12 V Fans, Part# 210-0015
- Install 2X Fans with filter.
- Run extension cable from fans till opening on cabinet back.
- Drill 4x 1/8" Holes on Cabinet Base Lip.
- Use cable cover and ziptie to conseal.
- Leave 2 feet of cable from hole opening.

REV.	DESCRIPTION	BY	DATE	APPROVED

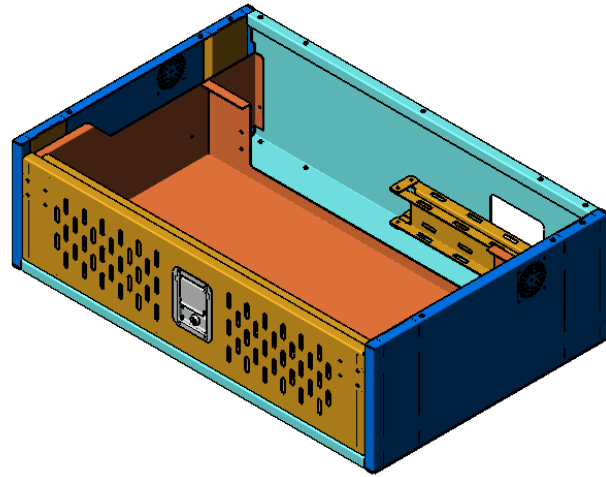


**1 Pair 24" Heavy Duty Full Extension Slides
2pc 12v AC Fan 80mm x80mm**

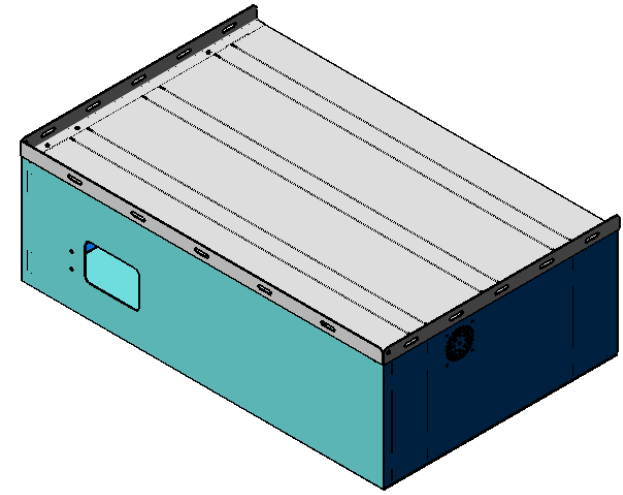


NAME	DATE	DANDR ELECTRONICS CO., LTD.		DANDR-ANSI-A	SIZE
DRAWN: BW	18OCT12	ELECTRONICS CO., LTD.		REV2	A
CHECKED		Path: \\server-file\data\MECH ENG\MECH_DESIGN\Ford Explorer Electronics Storage\		File: 934-0566A	
		Date: Tuesday, January 15, 2013 2:54:34 PM			
DESCRIPTION:		<p>THE INFORMATION CONTAINED WITHIN THIS DRAWING IS PROPRIETARY AND CONFIDENTIAL. AND IS THE SOLE PROPERTY OF DANDR ELECTRONICS CO. LTD. IT MAY NOT BE REPRODUCED AT WHOLE OR IN PART WITHOUT THE WRITTEN PERMISSION OF DANDR ELECTRONICS CO. LTD.</p> <p style="text-align: center;">Ford Interceptor Utility Electronics Storage</p>			
MFG. NO.		934-0566A		CATALOG. NO.	
USED ON:				SHEET 1 OF 1	
FINISH	MATERIAL			REV.	0
MIDNIGHT BLACK WRINKLE	12ga CRS / 0.090 ALUM				

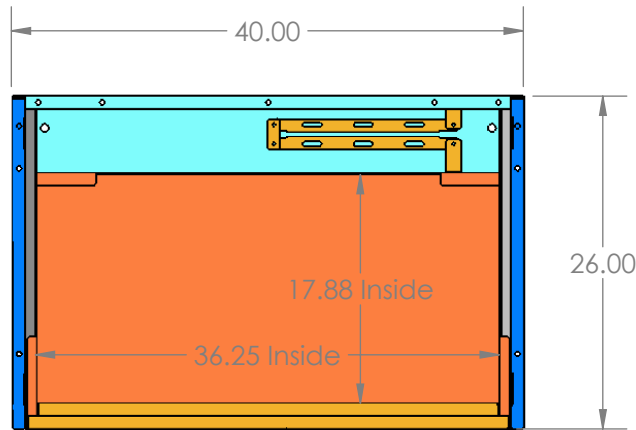
REV.	DESCRIPTION	BY	DATE	APPROVED



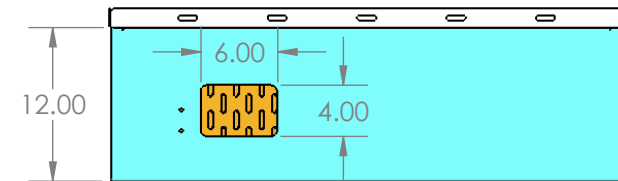
Bottom Dwr Closed View



Cabinet Assy Rear View



Bottom Dwr Closed Top View



	NAME	DATE	 ELECTRONICS CO., LTD.	DANDR-ANSI-A REV2 APRIL 1, 2009	SIZE A
DRAWN	BW	18OCT12		Path: \\server-file\data\MECH ENG\MECH_DESIGN\Ford Explorer Electronics Storage\ File: 934-0566A Date: Tuesday, January 15, 2013 2:54:34 PM	
CHECKED				DESCRIPTION:	
THE INFORMATION CONTAINED WITHIN THIS DRAWING IS PROPRIETARY AND CONFIDENTIAL. AND IS THE SOLE PROPERTY OF DandR ELECTRONICS CO. LTD. IT MAY NOT BE REPRODUCED AT WHOLE OR IN PART WITHOUT THE WRITTEN PERMISSION OF DandR ELECTRONICS CO. LTD.			Ford Interceptor Utility Electronics Storage		
FINISH			MFG. NO.	CATALOG. NO.	
MIDNIGHT BLACK WRINKLE			934-0566A		
			USED ON:		SHEET 1 OF 1
			MATERIAL		REV.
			0.090" ALUMINUM		0