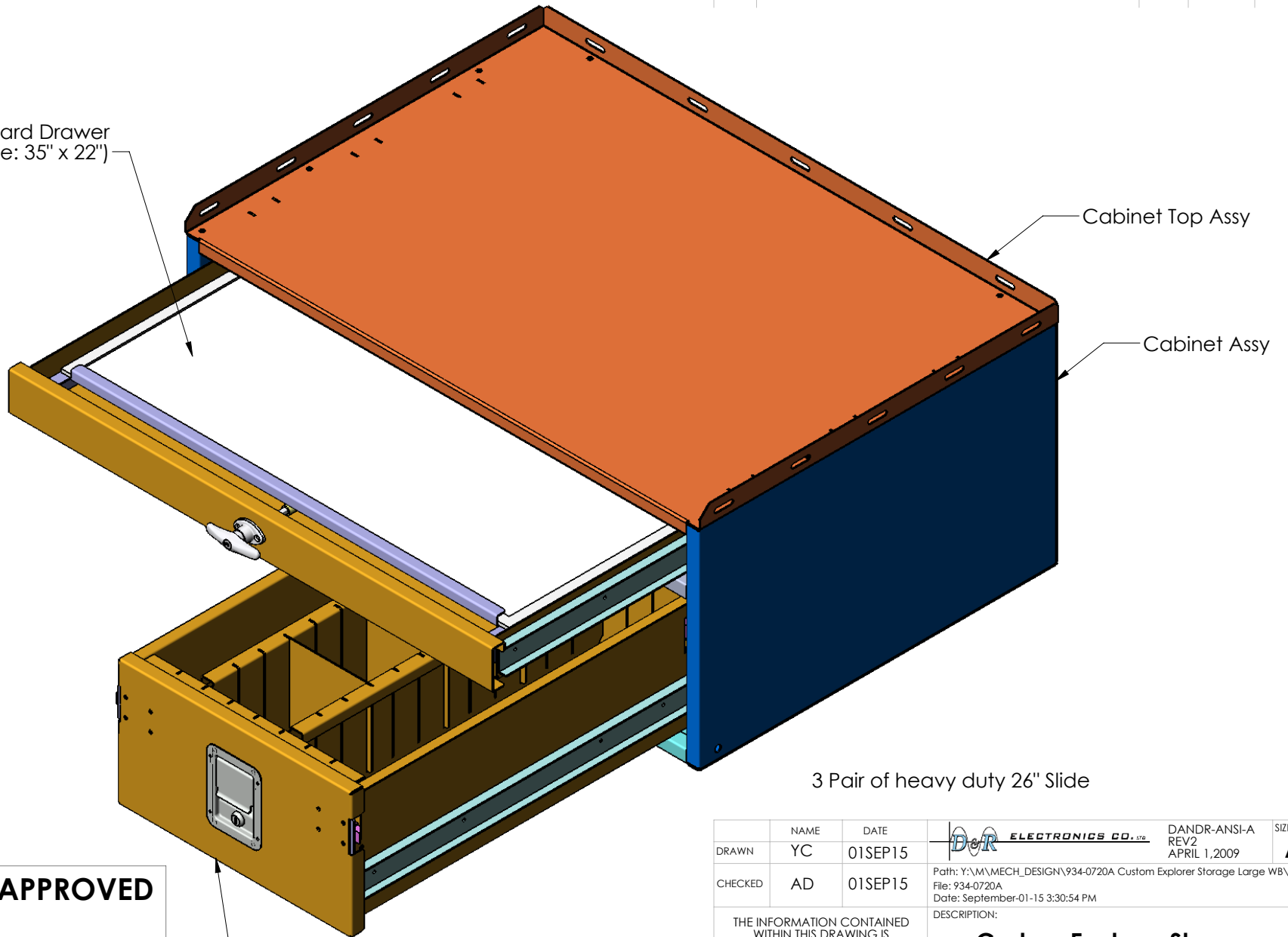


REV.	DESCRIPTION	BY	DATE	APPROVED

White Board Drawer
(White board Size: 35" x 22")



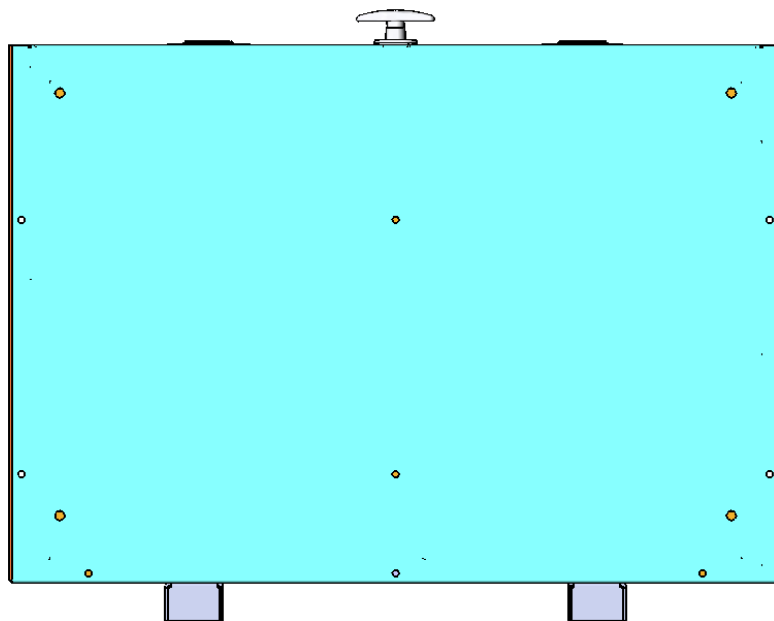
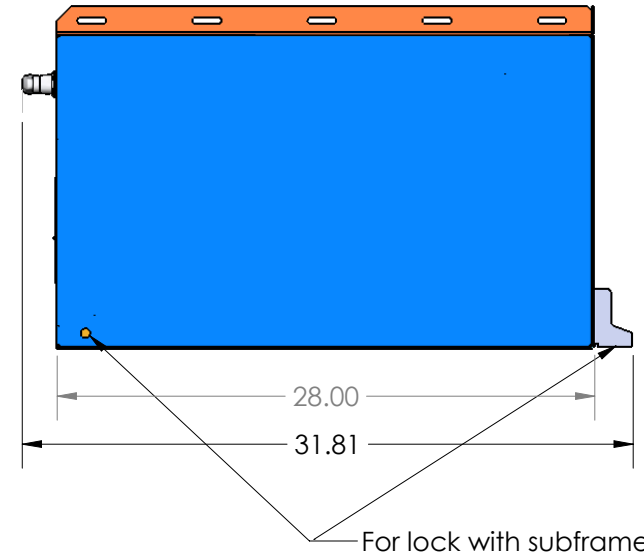
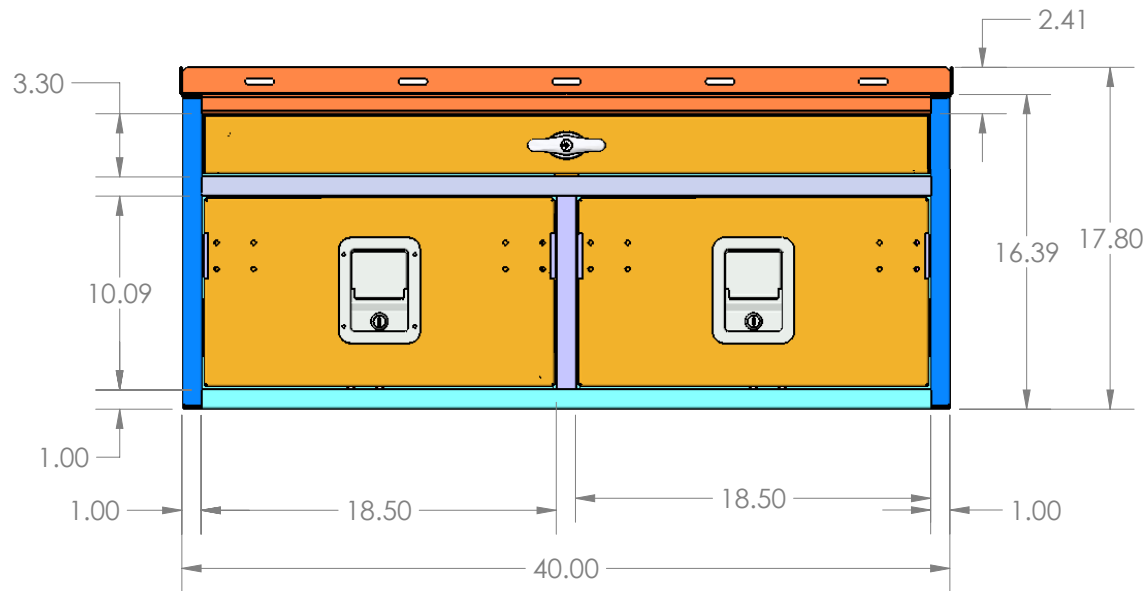
3 Pair of heavy duty 26" Slide


DRAWING APPROVED
NAME: _____
DATE: _____
SIGNATURE: _____

2-Drawers With Dividers
(Inside 24.66"D x 16.75"W x 9.05"H)

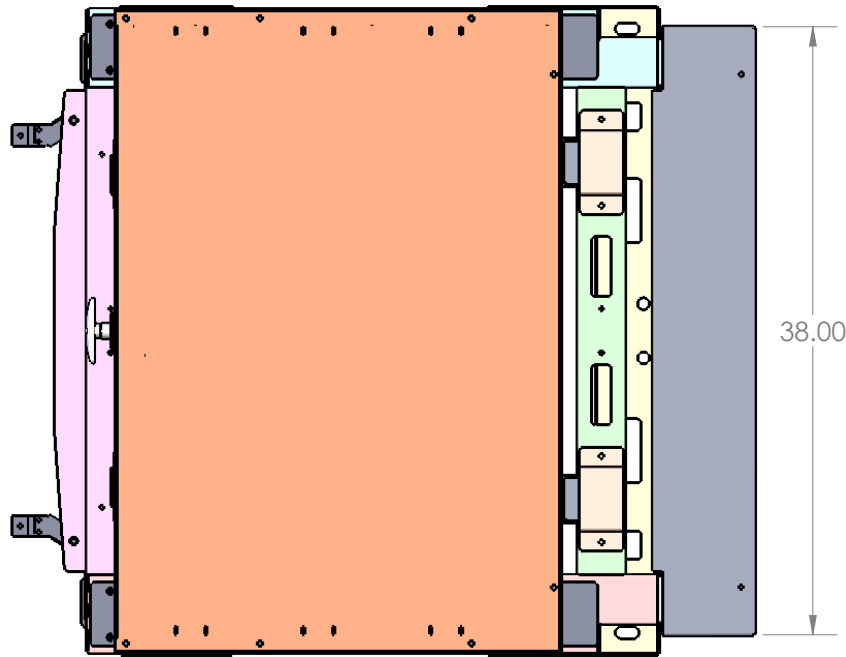
	NAME	DATE	ELECTRONICS CO.	DANDR-ANSI-A REV2 APRIL 1, 2009	SIZE A
DRAWN	YC	01SEP15		Path: Y:\M\MECH_DESIGN\934-0720A Custom Explorer Storage Large WB\ File: 934-0720A Date: September-01-15 3:30:54 PM	
CHECKED	AD	01SEP15	DESCRIPTION: Custom Explorer Storage Large Whiteboard Drawer		
THE INFORMATION CONTAINED WITHIN THIS DRAWING IS PROPRIETARY AND CONFIDENTIAL. AND IS THE SOLE PROPERTY OF DandR ELECTRONICS CO. LTD. IT MAY NOT BE REPRODUCED AT WHOLE OR IN PART WITHOUT THE WRITTEN PERMISSION OF DandR ELECTRONICS CO. LTD.			MFG. NO. 934-0720A	CATALOG. NO. XXX	SHEET 1 OF 3
FINISH	Midnight Black Wrinkle		MATERIAL Alum/ CRS	REV. 0	

REV.	DESCRIPTION	BY	DATE	APPROVED

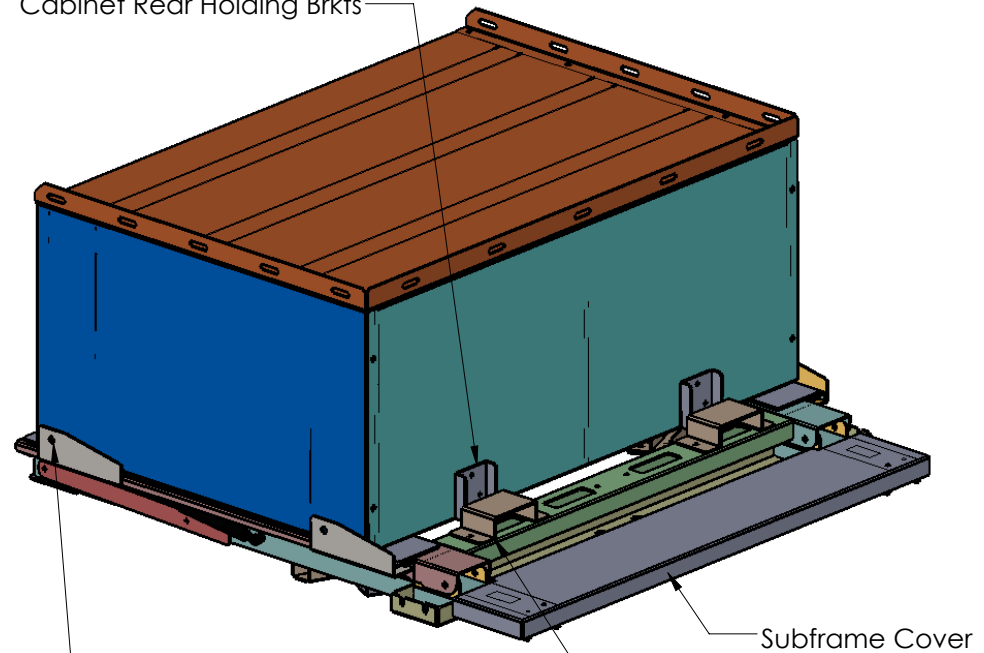


	NAME	DATE	 ELECTRONICS CO. LTD. DANDR-ANSI-A REV2 APRIL 1, 2009	SIZE
DRAWN	YC	01SEP15		A
CHECKED	AD	01SEP15	Path: Y:\M\MECH_DESIGN\934-0720A Custom Explorer Storage Large WB\ File: 934-0720A Date: September-01-15 3:30:54 PM	
THE INFORMATION CONTAINED WITHIN THIS DRAWING IS PROPRIETARY AND CONFIDENTIAL. AND IS THE SOLE PROPERTY OF DandR ELECTRONICS CO. LTD. IT MAY NOT BE REPRODUCED AT WHOLE OR IN PART WITHOUT THE WRITTEN PERMISSION OF DandR ELECTRONICS CO. LTD.			DESCRIPTION: Custom Explorer Storage Large Whiteboard Drawer	
FINISH			MFG. NO.	CATALOG. NO.
Midnight Black Wrinkle			934-0720A	XXX
			USED ON:	SHEET 2 OF 3
			MATERIAL	REV.
			Alum/ CRS	0

REV.	DESCRIPTION	BY	DATE	APPROVED



834-2839A
Cabinet Rear Holding Brkts

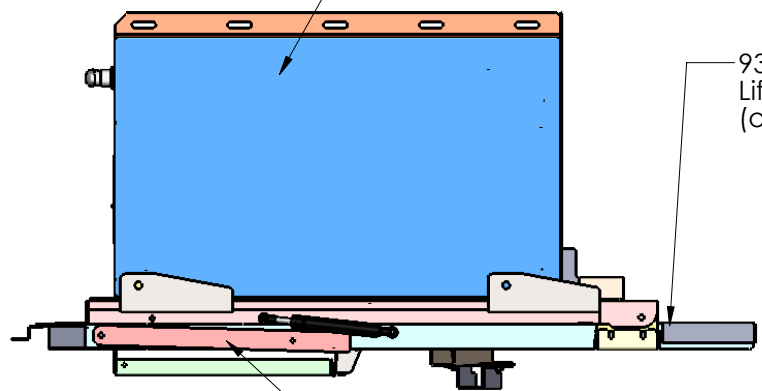


Subframe Cover

Both Side 3/8-16 Handle Bolt Cabinet with Subframe

834-2838A
Subframe Hat Brkts for Holding Cabinet

934-0720A
Custom Cabinet



933-0113A
Liftable Subframe (order seperately)

Safety Bar (2x)
Both Side

	NAME	DATE	DANDR ELECTRONICS CO., LTD.	DANDR-ANSI-A	SIZE
DRAWN	YC	01SEP15		REV2	APRIL 1, 2009
CHECKED	AD	01SEP15	Path: Y:\M\MECH_DESIGN\934-0720A Custom Explorer Storage Large WB\ File: 934-0720A Date: September-01-15 3:30:54 PM		
THE INFORMATION CONTAINED WITHIN THIS DRAWING IS PROPRIETARY AND CONFIDENTIAL. AND IS THE SOLE PROPERTY OF DANDR ELECTRONICS CO. LTD. IT MAY NOT BE REPRODUCED AT WHOLE OR IN PART WITHOUT THE WRITTEN PERMISSION OF DANDR ELECTRONICS CO. LTD.			DESCRIPTION: <h3>Custom Explorer Storage Large Whiteboard Drawer</h3>		
FINISH			MFG. NO.	CATALOG. NO.	
Midnight Black Winkle			934-0720A	XXX	
			USED ON:		SHEET 3 OF 3
			MATERIAL	REV.	0
			Alum/ CRS		