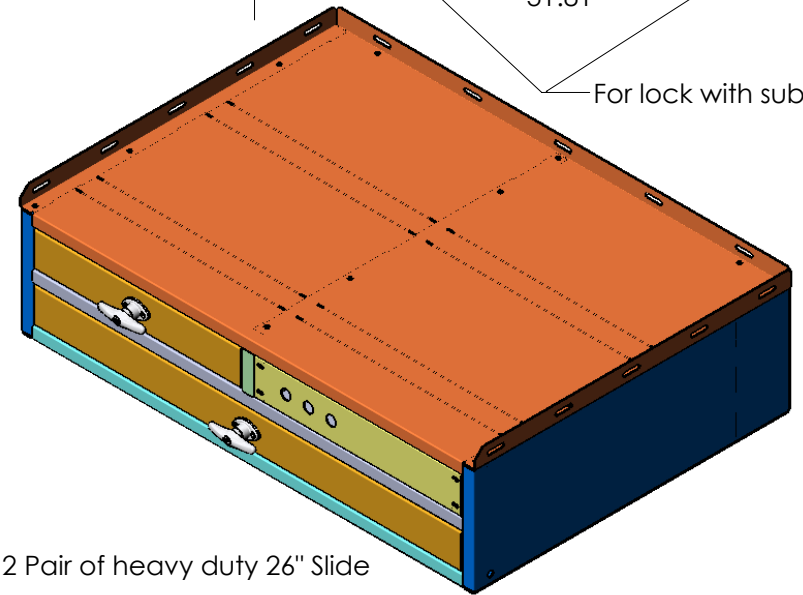
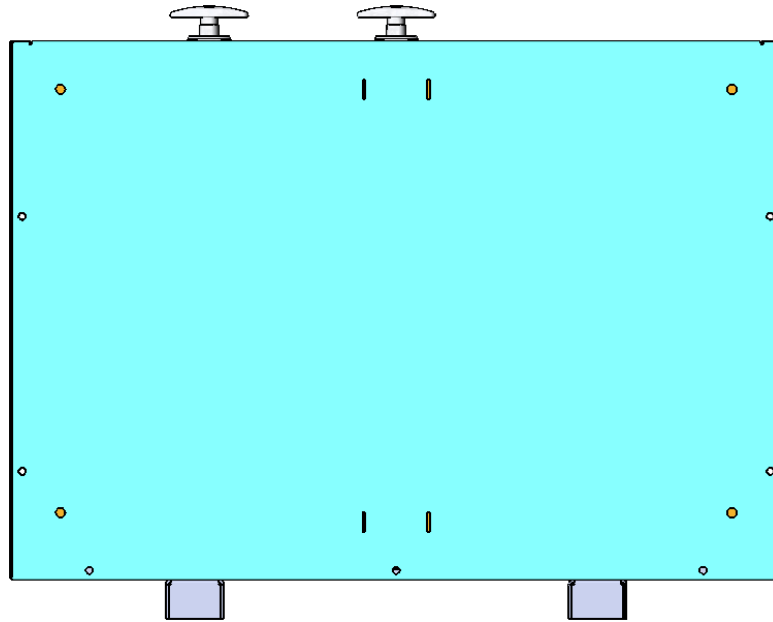
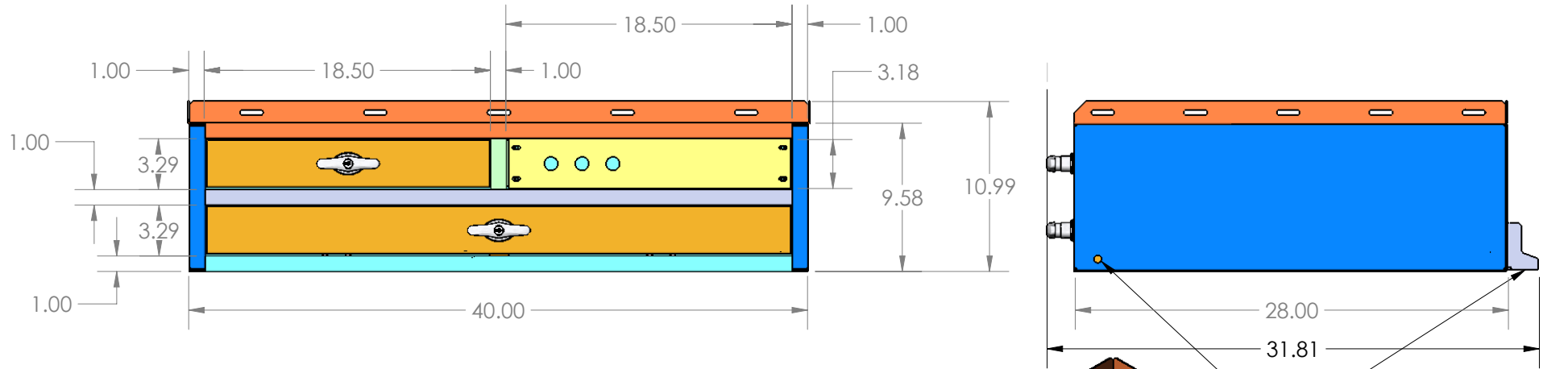


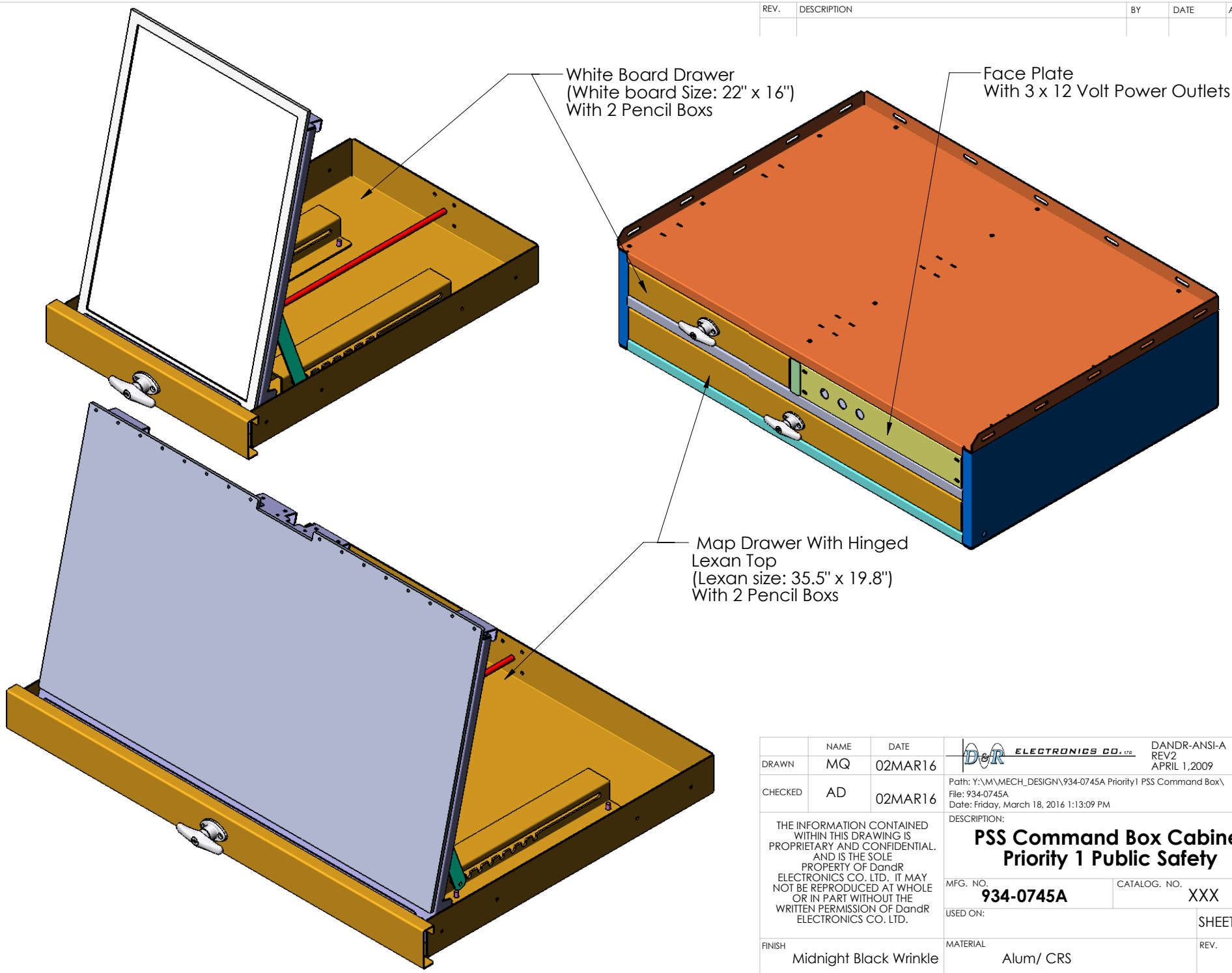
REV.	DESCRIPTION	BY	DATE	APPROVED



2 Pair of heavy duty 26" Slide

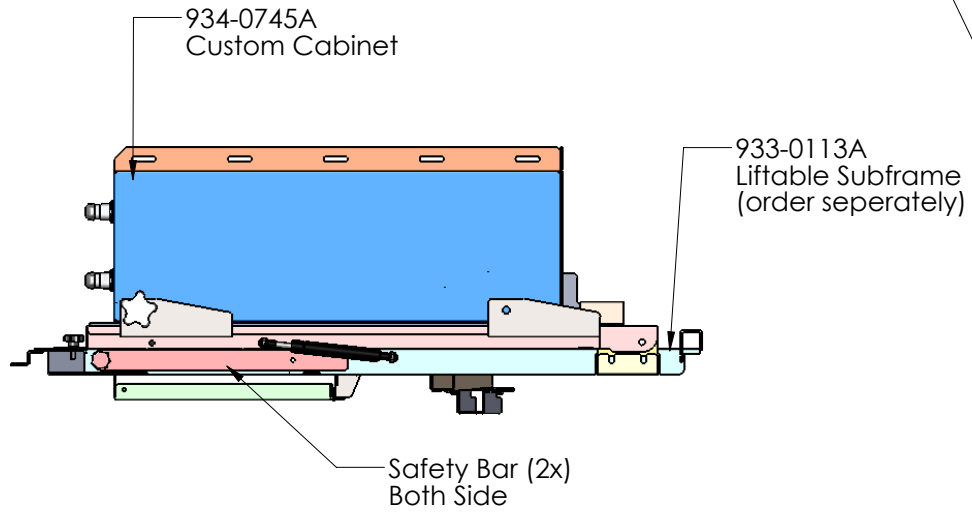
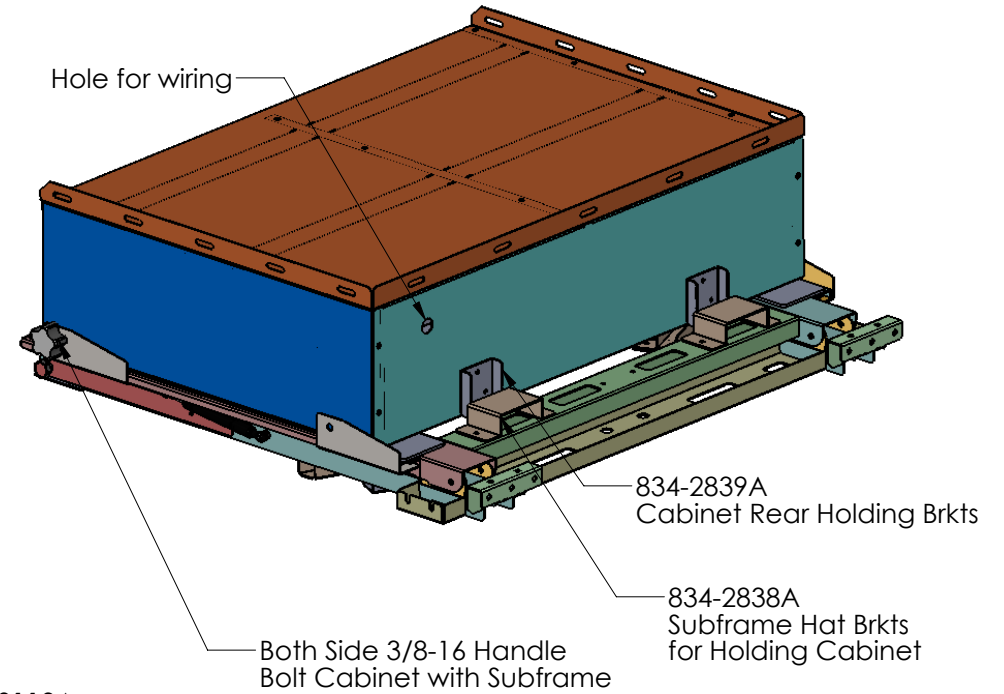
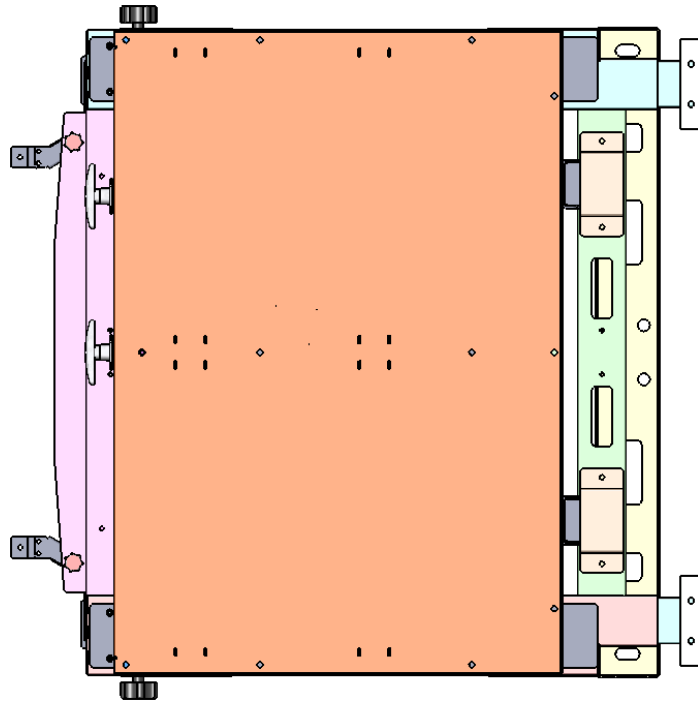
NAME	DATE	DandR ELECTRONICS CO., LTD.		DANDR-ANSI-A	SIZE
DRAWN	MQ	02MAR16	REV2		A
CHECKED	AD	02MAR16	APRIL 1, 2009		
THE INFORMATION CONTAINED WITHIN THIS DRAWING IS PROPRIETARY AND CONFIDENTIAL. AND IS THE SOLE PROPERTY OF DandR ELECTRONICS CO. LTD. IT MAY NOT BE REPRODUCED AT WHOLE OR IN PART WITHOUT THE WRITTEN PERMISSION OF DandR ELECTRONICS CO. LTD.			Path: Y:\M\MECH_DESIGN\934-0745A Priority1 PSS Command Box\ File: 934-0745A Date: Friday, March 18, 2016 1:13:09 PM		
DESCRIPTION: PSS Command Box Cabinet Priority 1 Public Safety			MFG. NO. 934-0745A USED ON:		CATALOG. NO. XXX SHEET 1 OF 3
FINISH	Midnight Black Wrinkle		MATERIAL	Alum/ CRS	
			REV.	0	

REV.	DESCRIPTION	BY	DATE	APPROVED



	NAME	DATE	ELECTRONICS CO., LTD. DANDR-ANSI-A REV2 APRIL 1, 2009	SIZE
DRAWN	MQ	02MAR16		A
CHECKED	AD	02MAR16	Path: Y:\M\MECH_DESIGN\934-0745A Priority1 PSS Command Box\ File: 934-0745A Date: Friday, March 18, 2016 1:13:09 PM	
THE INFORMATION CONTAINED WITHIN THIS DRAWING IS PROPRIETARY AND CONFIDENTIAL. AND IS THE SOLE PROPERTY OF DandR ELECTRONICS CO. LTD. IT MAY NOT BE REPRODUCED AT WHOLE OR IN PART WITHOUT THE WRITTEN PERMISSION OF DandR ELECTRONICS CO. LTD.			PSS Command Box Cabinet Priority 1 Public Safety	
FINISH			MFG. NO.	CATALOG. NO.
Midnight Black Wrinkle			934-0745A	XXX
			USED ON:	SHEET 1 OF 3
			MATERIAL	REV.
			Alum/ CRS	0

REV.	DESCRIPTION	BY	DATE	APPROVED



	NAME	DATE	ELECTRONICS CO., LTD.	DANDR-ANSI-A	SIZE
DRAWN	MQ	02MAR16		REV2	A
CHECKED	AD	02MAR16	Path: Y:\M\MECH_DESIGN\934-0745A Priority1 PSS Command Box\ File: 934-0745A Date: Friday, March 18, 2016 1:13:09 PM	APRIL 1, 2009	
THE INFORMATION CONTAINED WITHIN THIS DRAWING IS PROPRIETARY AND CONFIDENTIAL. AND IS THE SOLE PROPERTY OF DandR ELECTRONICS CO. LTD. IT MAY NOT BE REPRODUCED AT WHOLE OR IN PART WITHOUT THE WRITTEN PERMISSION OF DandR ELECTRONICS CO. LTD.			DESCRIPTION: PSS Command Box Cabinet Priority 1 Public Safety		
FINISH			MFG. NO.	CATALOG. NO.	
Midnight Black Wrinkle			934-0745A	XXX	
			USED ON:		SHEET 3 OF 3
			MATERIAL	REV.	0
			Alum/ CRS		