

REV.	DESCRIPTION	BY	DATE	APPROVED

White Board Drawer  
(White board Size: 22" x 16")

Cabinet Top Assy

Cabinet Assy

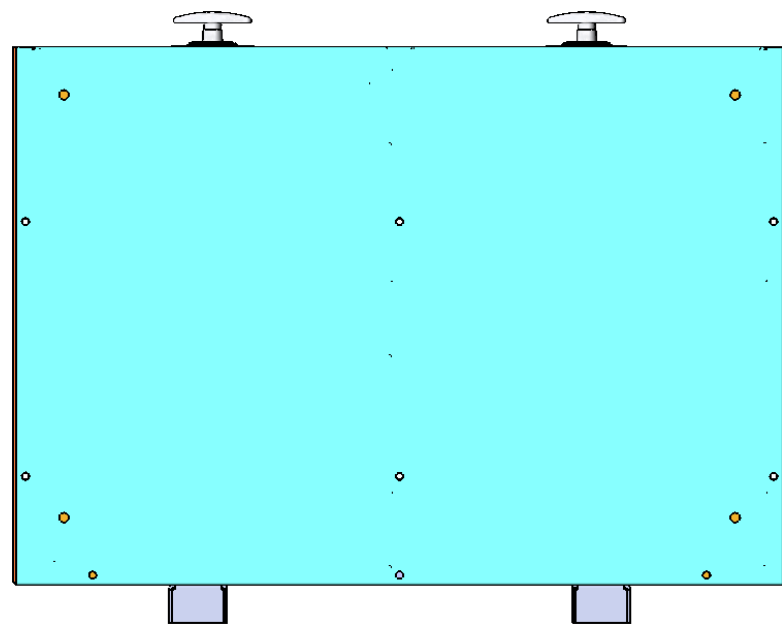
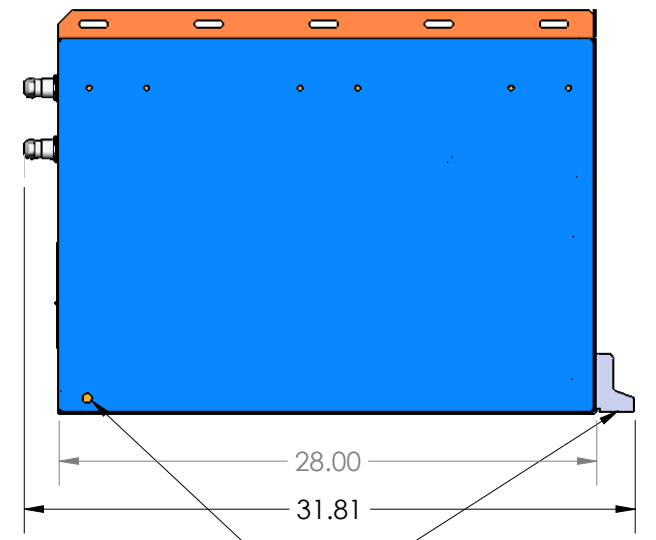
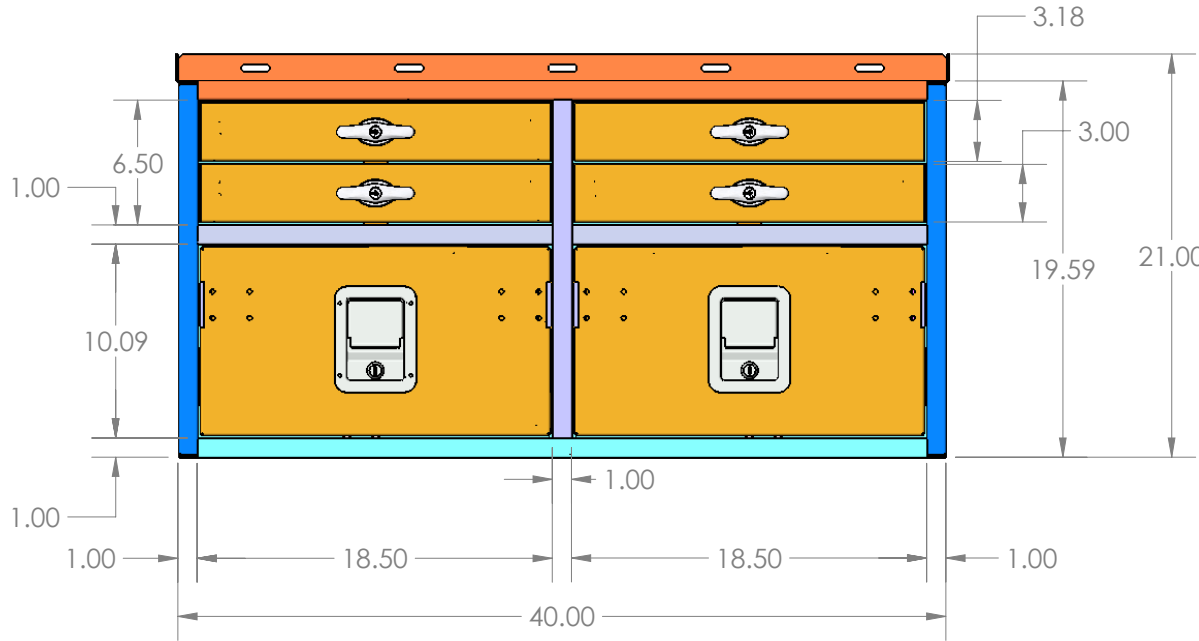
6 Pair of heavy duty 26" Slide


2 Map Drawer With Hinged  
Lexan Top  
(Lexan size: 21.75" x 15.75")

2-Drawers With Dividers  
(Inside 24.66"D x 16.75"W x 9.05"H)

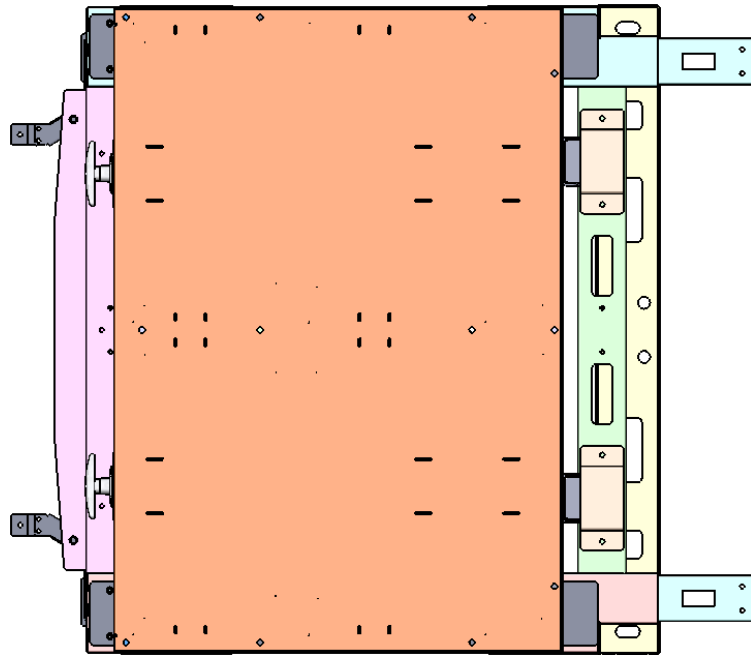
	NAME	DATE	 <b>ELECTRONICS CO. LTD.</b>	DANDR-ANSI-A REV2 APRIL 1, 2009	SIZE <b>A</b>
DRAWN	AT	16MAR16		Path: \\server-file\data\M\MECH_DATA\934-Files\934-0750A Explorer Cabinet Priority 1\ File: 934-0750A Date: Thursday, April 14, 2016 7:38:17 AM	
CHECKED	AD	16MAR16		DESCRIPTION:	
	THE INFORMATION CONTAINED WITHIN THIS DRAWING IS PROPRIETARY AND CONFIDENTIAL. AND IS THE SOLE PROPERTY OF DandR ELECTRONICS CO. LTD. IT MAY NOT BE REPRODUCED AT WHOLE OR IN PART WITHOUT THE WRITTEN PERMISSION OF DandR ELECTRONICS CO. LTD.			<b>Custom Explorer Storage Priority 1 Public Safety</b>	
	MFG. NO.	934-0750A	CATALOG. NO.	XXX	
	USED ON:				SHEET 1 OF 3
FINISH	MATERIAL	Midnight Black Wrinkle	Alum/ CRS	REV.	0

REV.	DESCRIPTION	BY	DATE	APPROVED

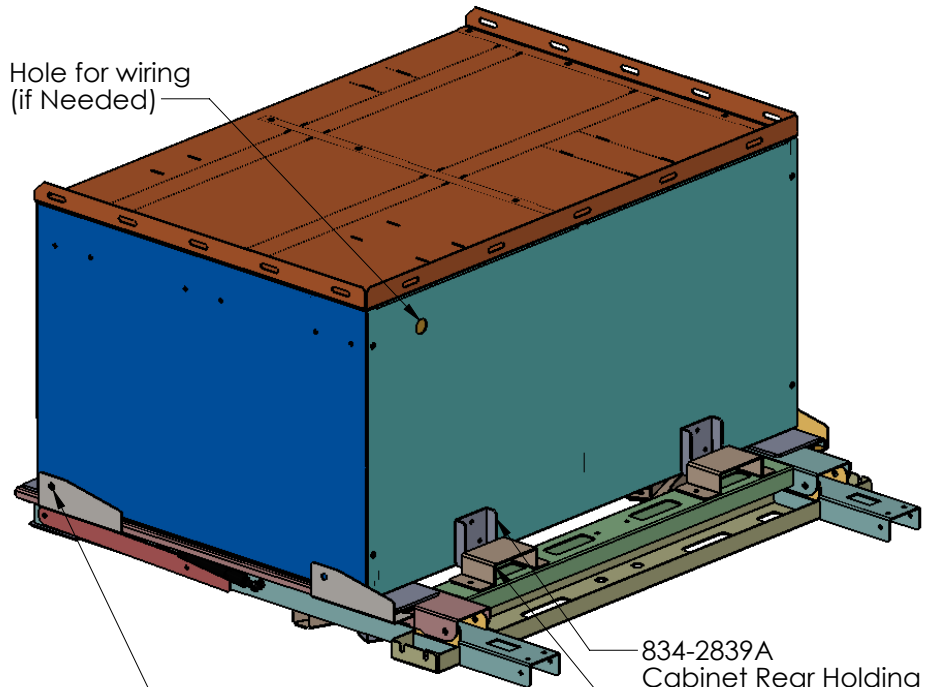


	NAME	DATE	 <b>ELECTRONICS CO. LTD.</b> DANDR-ANSI-A REV2 APRIL 1, 2009	SIZE
DRAWN	AT	16MAR16		A
CHECKED	AD	16MAR16	Path: \\server-file\data\M\MECH_DATA\934-Files\934-0750A Explorer Cabinet Priority 1\ File: 934-0750A Date: Thursday, April 14, 2016 7:38:17 AM	
THE INFORMATION CONTAINED WITHIN THIS DRAWING IS PROPRIETARY AND CONFIDENTIAL. AND IS THE SOLE PROPERTY OF DandR ELECTRONICS CO. LTD. IT MAY NOT BE REPRODUCED AT WHOLE OR IN PART WITHOUT THE WRITTEN PERMISSION OF DandR ELECTRONICS CO. LTD.			<b>DESCRIPTION:</b> <b>Custom Explorer Storage          Priority 1 Public Safety</b>	
FINISH			MFG. NO.	CATALOG. NO.
Midnight Black Wrinkle			<b>934-0750A</b>	XXX
			USED ON:	SHEET 2 OF 3
			MATERIAL	REV.
			Alum/ CRS	0

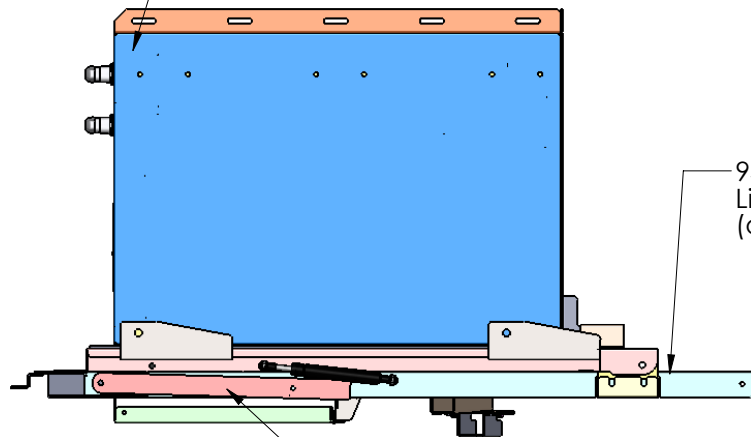
REV.	DESCRIPTION	BY	DATE	APPROVED



Hole for wiring  
(if Needed)



934-0XXXA  
Custom Cabinet



933-0113A  
Liffable Subframe  
(order seperately)

Safety Bar (2x)  
Both Side

Both Side 3/8-16 Handle  
Bolt Cabinet with Subframe

834-2839A  
Cabinet Rear Holding Brkts

834-2838A  
Subframe Hat Brkts  
for Holding Cabinet

NAME	DATE	DANDR ELECTRONICS CO., LTD.		DANDR-ANSI-A	SIZE
DRAWN	AT	16MAR16	REV2		A
CHECKED	AD	16MAR16	APRIL 1, 2009		
Path: \\server-file\data\M\MECH_DATA\934-Files\934-0750A Explorer Cabinet Priority 1\ File: 934-0750A Date: Thursday, April 14, 2016 7:38:17 AM DESCRIPTION: <b>Custom Explorer Storage Priority 1 Public Safety</b>					
MFG. NO. <b>934-0750A</b>			CATALOG. NO. XXX		
USED ON:			SHEET 3 OF 3		
FINISH	MATERIAL		REV.		
Midnight Black Wrinkle	Alum/ CRS		0		

THE INFORMATION CONTAINED  
WITHIN THIS DRAWING IS  
PROPRIETARY AND CONFIDENTIAL.  
AND IS THE SOLE  
PROPERTY OF DandR  
ELECTRONICS CO. LTD. IT MAY  
NOT BE REPRODUCED AT WHOLE  
OR IN PART WITHOUT THE  
WRITTEN PERMISSION OF DandR  
ELECTRONICS CO. LTD.