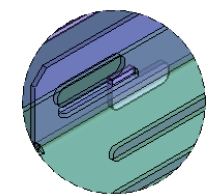
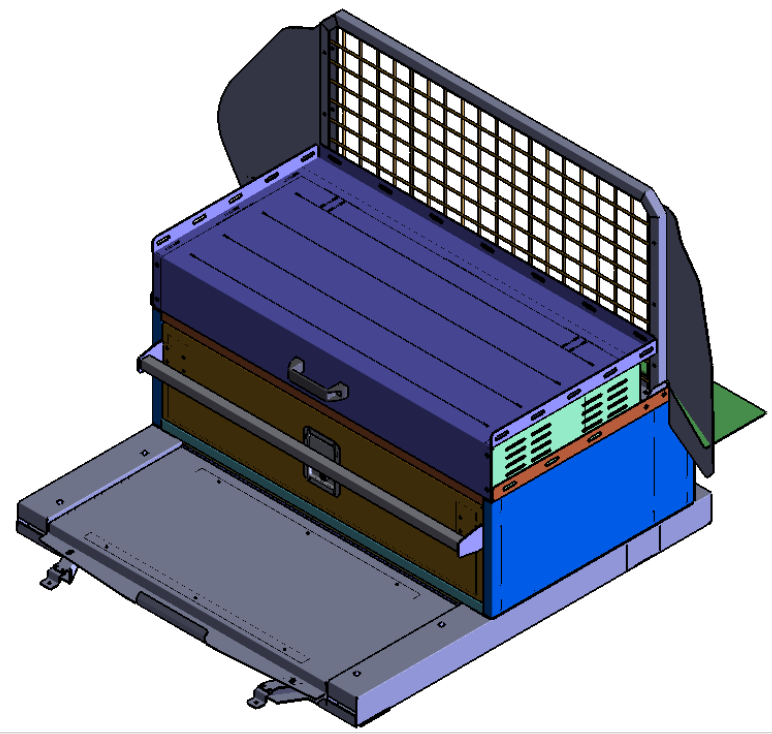
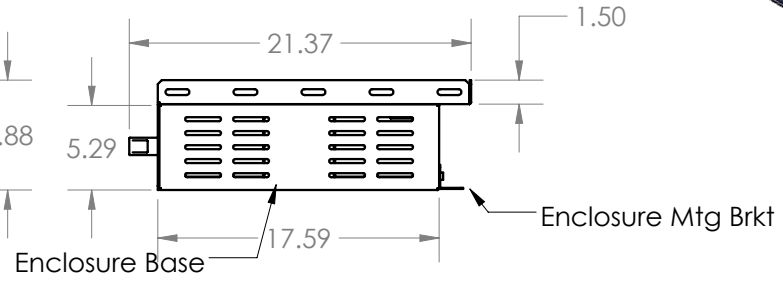
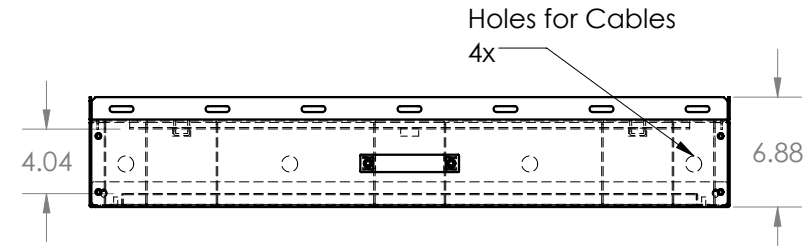
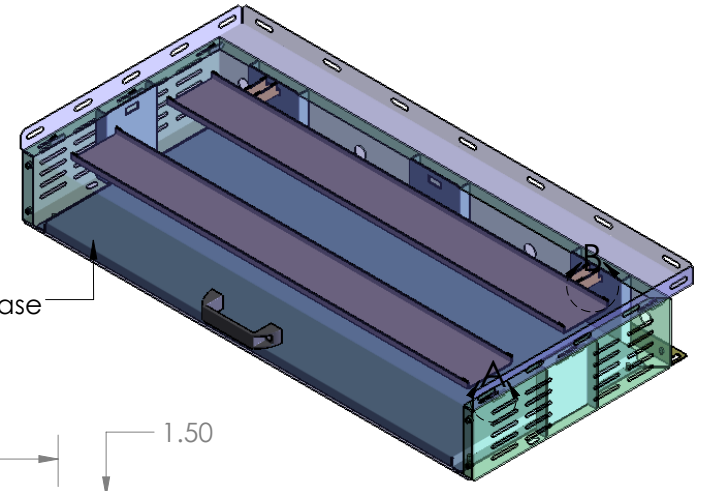
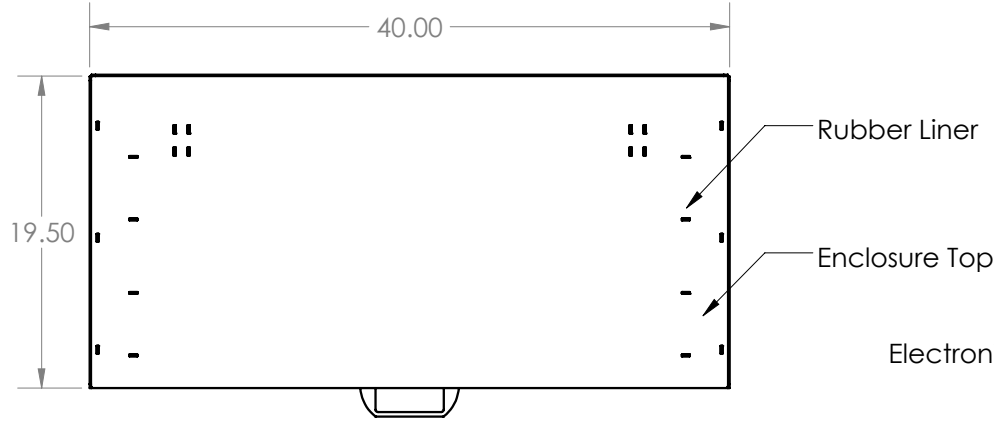
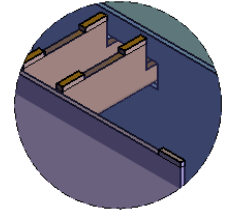


REV.	DESCRIPTION	BY	DATE	APPROVED



DETAIL A  
SCALE 1 : 3  
Side Hooks : 6X



DETAIL B  
SCALE 1 : 3  
Rear Holding Chan : 2X

DRAWN	NAME AT	DATE 28MAR16	<b>ELECTRONICS CO., LTD.</b> Path: \\server-file\data\M\MECH_DATA\934-Files\934-0751A Electronics Enclosure\ File: 934-0751A Date: Tuesday, April 05, 2016 10:48:27 AM	DANDR-ANSI-A REV2 APRIL 1,2009	SIZE <b>A</b>
CHECKED	AD	28MAR16		DESCRIPTION: <b>Electronics Enclosure for Explorer Custom Cabinet Waterloo Police</b>	MFG. NO. <b>934-0751A</b>
THE INFORMATION CONTAINED WITHIN THIS DRAWING IS PROPRIETARY AND CONFIDENTIAL AND IS THE SOLE PROPERTY OF DANDR ELECTRONICS CO. LTD. IT MAY NOT BE REPRODUCED AT WHOLE OR IN PART WITHOUT THE WRITTEN PERMISSION OF DANDR ELECTRONICS CO. LTD.			USED ON: <b>9XX-XXXX</b>	SHEET 1 OF 1	
FINISH	Midnight Black Wrinkle		MATERIAL .090 AL	REV. <b>0</b>	