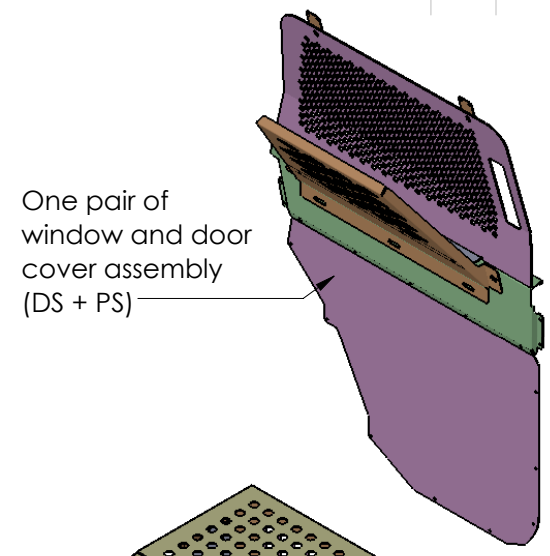
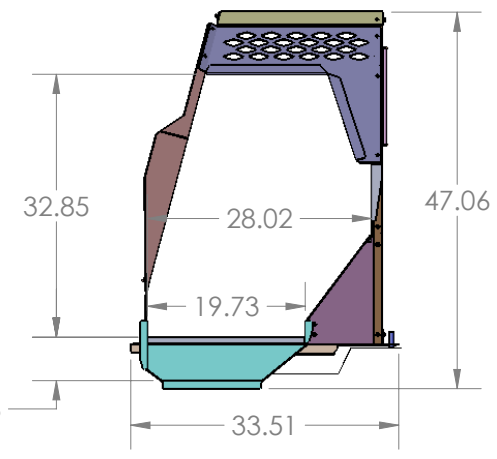
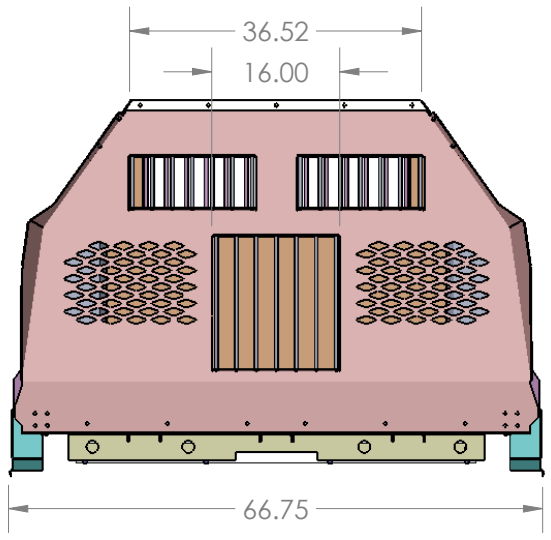
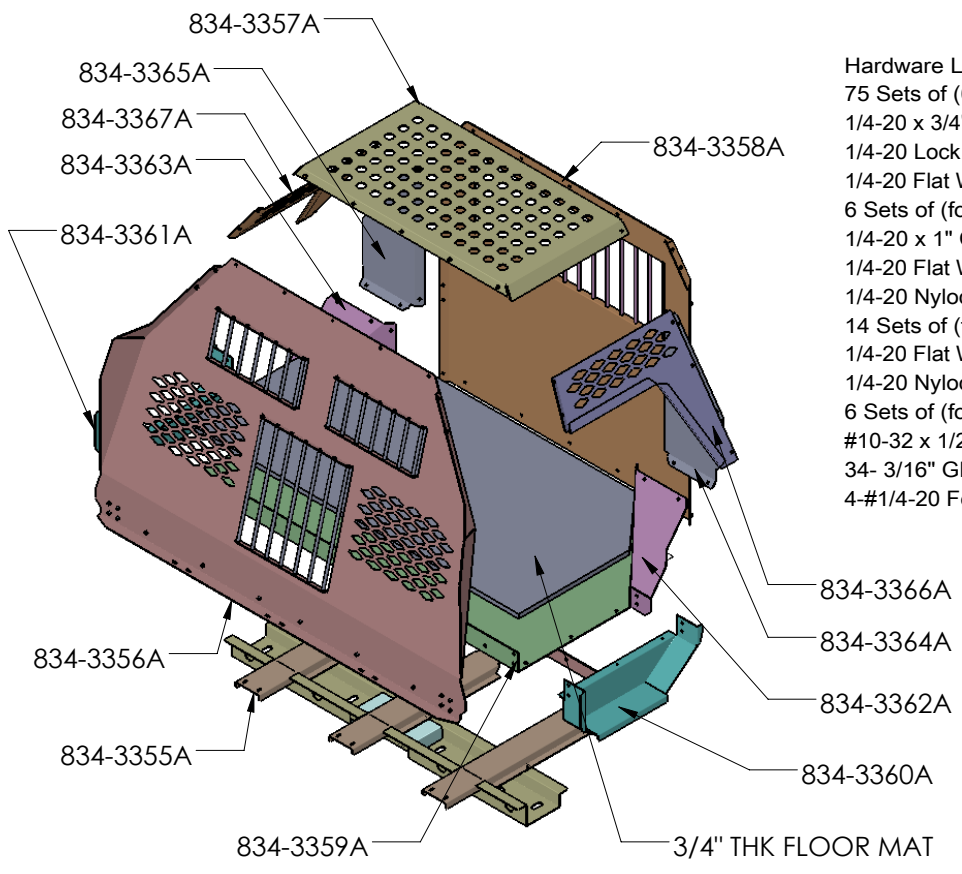
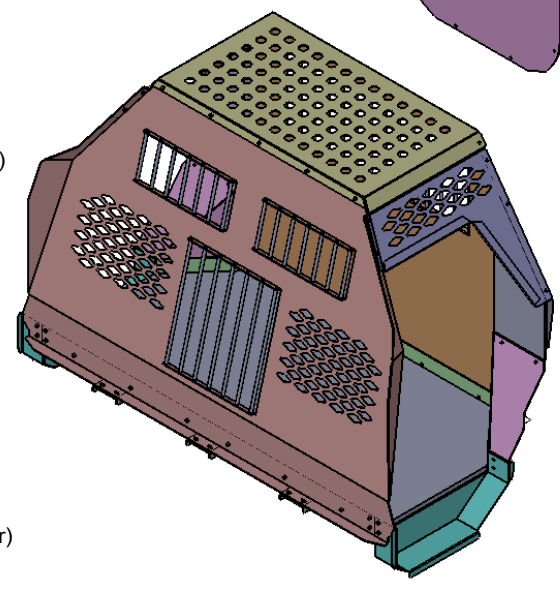


REV.	DESCRIPTION	BY	DATE	APPROVED



One pair of window and door cover assembly (DS + PS)



- Hardware List:**
- 75 Sets of (61 for kennel; 14 for win covers)
  - 1/4-20 x 3/4" Hex Head Screws
  - 1/4-20 Lock Washer
  - 1/4-20 Flat Washer
  - 6 Sets of (for kennel)
  - 1/4-20 x 1" Carriage Bolts
  - 1/4-20 Flat Washers
  - 1/4-20 Nyloc Nuts
  - 14 Sets of (for win cover)
  - 1/4-20 Flat Washers
  - 1/4-20 Nyloc Nuts
  - 6 Sets of (for kennel)
  - #10-32 x 1/2" Flat Head Screws
  - 34- 3/16" GP3/8" Alum Rivets (for win cover)
  - 4-#1/4-20 Fender Washers(for win cover)

NAME	DATE	DANDR ELECTRONICS CO., LTD.		DANDR-ANSI-A	SIZE
DRAWN	MQ	18APR16		REV2	A
CHECKED	AD	18APR16	Path: Y:\M\MECH_DESIGN\2016Tahoe K9 Custom Setup\Front K9\ File: 934-0752A Date: Monday, April 18, 2016 2:54:07 PM		
DESCRIPTION: <b>Tahoe 2016 K9 Kennel For Single Dog</b>					
MFG. NO.		934-0752A		CATALOG. NO.	
USED ON:		934-0752A		SHEET 1 OF 1	
FINISH	Midnight Black Wrinkle (Subframe 834-3355A)	MATERIAL		0.125" ALUM / 12 GA CRS	
					REV. 0