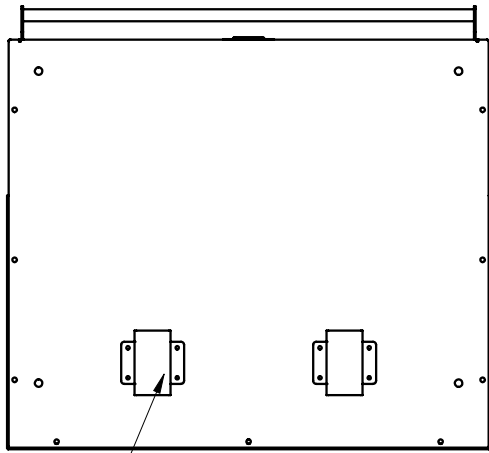


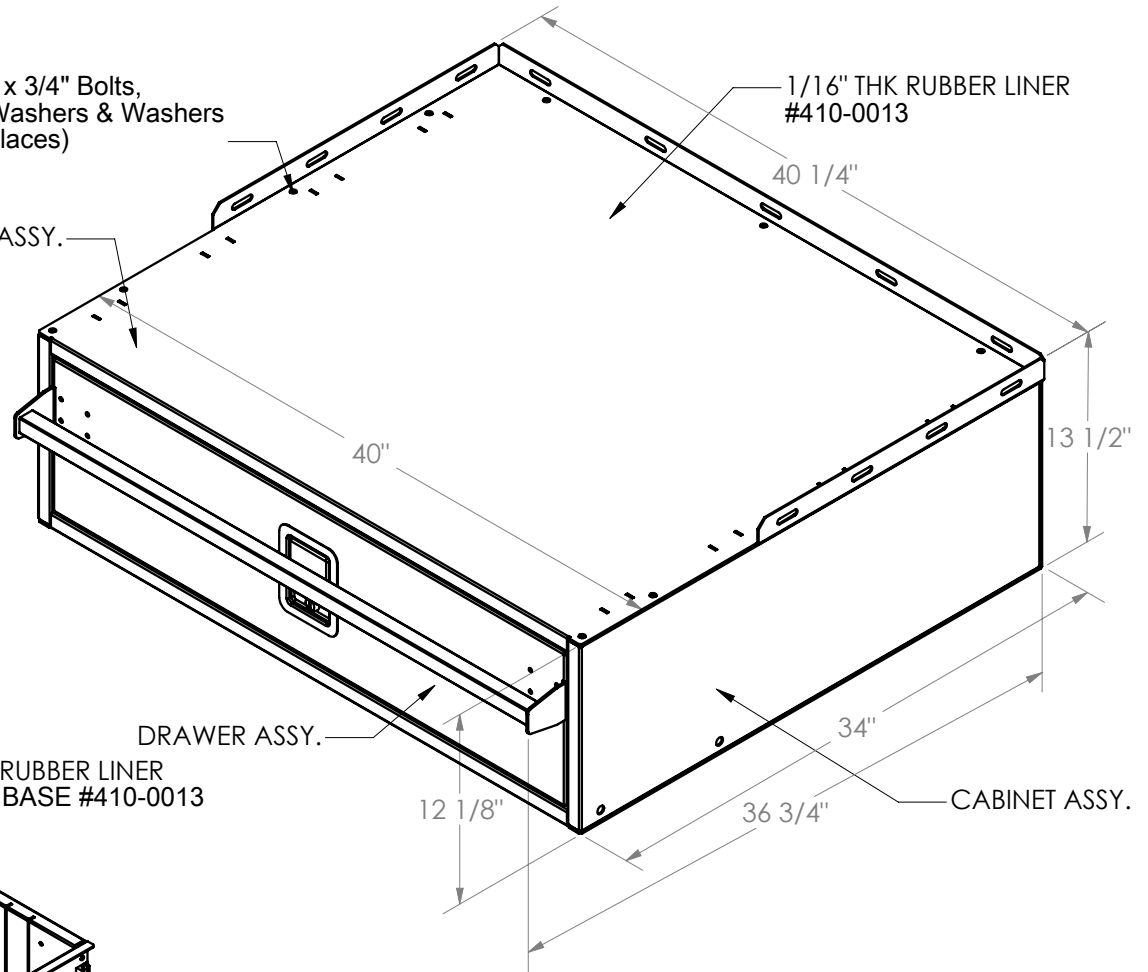
REV.	DESCRIPTION	DATE	APPROVED
------	-------------	------	----------



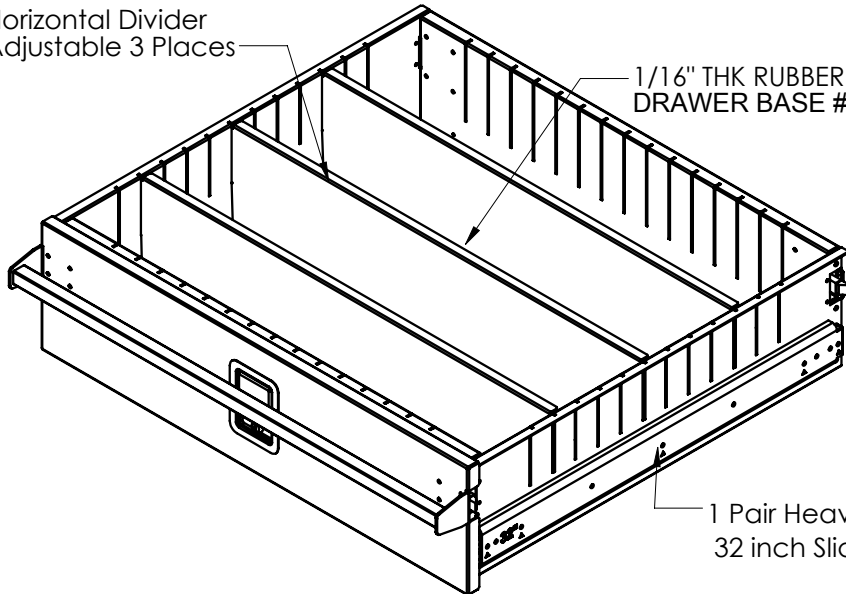
Cabinet Holding Brkt (2x)
#833-1483A For catching liftable subframe
Using: 8 sets of 1/4-20 x 3/4" Bolts,
Lock Washers & Washers
(For the packing reason, may ship loose)

1/4-20 x 3/4" Bolts,
Lock Washers & Washers
(8+3 Places)

TOP ASSY.



Horizontal Divider
Adjustable 3 Places



Drawer inside Dim:
36.25in Wide x 30.5in Deep x 9.0in High

DIMENSIONS ARE IN INCHES TOLERANCES: FRACTIONAL ± 1/32 ANGULAR: ± .10° TWO PLACE DECIMAL ± .010 THREE PLACE DECIMAL ± .005		NAME	DATE	
MATERIAL		DRAWN	MQ 27MAY16	
FINISH Midnight Black Wrinkle		CHECKED	AD 27MAY16	Storage Cabinet (40Wx34Dx12H) Fit with Ford Explorer Liftable Subframe
		ENG APPR.		
		MFG APPR.		
		Q.A.		Path: Y:\M\MECH_DATA\934-Files\934-0756A.cabinet40x34x12\ File: 934-0756A Date: Friday, May 27, 2016 11:45:39 AM SIZE DWG. NO.
		COMMENTS:		REV. 0
				USED ON: SHEET 1 OF 1