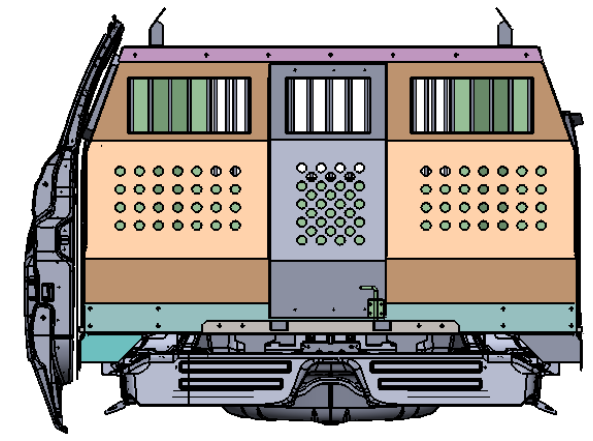
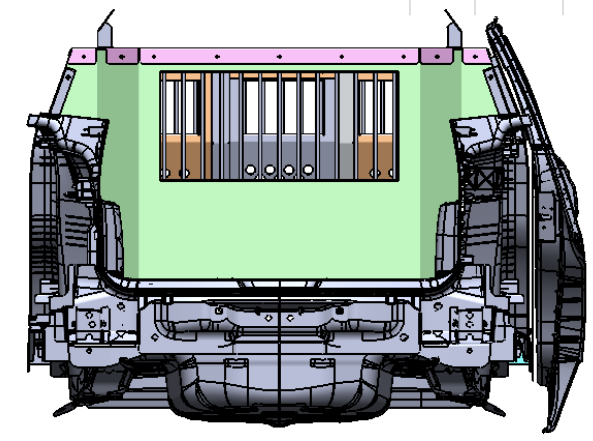
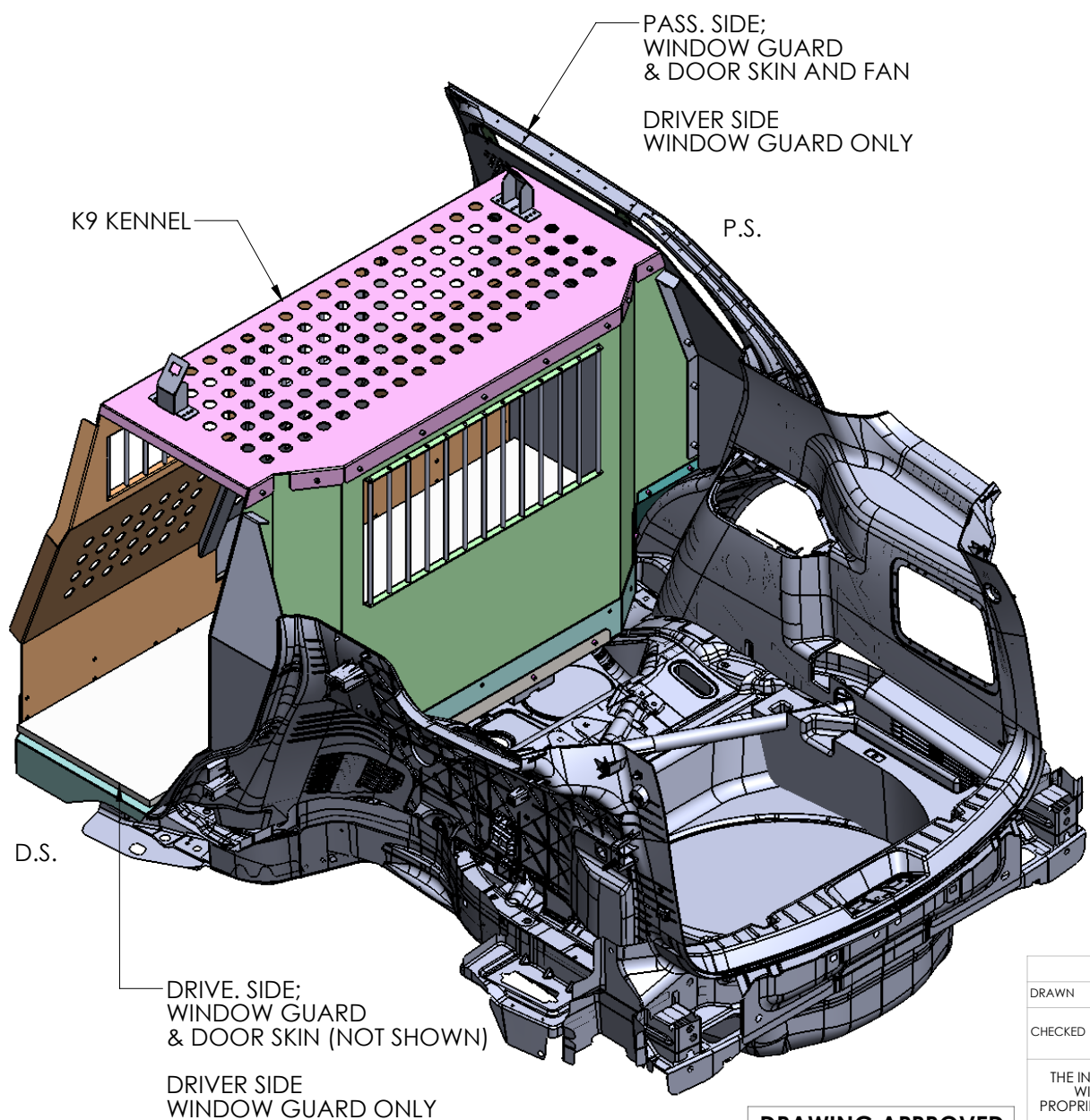


REV.	DESCRIPTION	BY	DATE	APPROVED



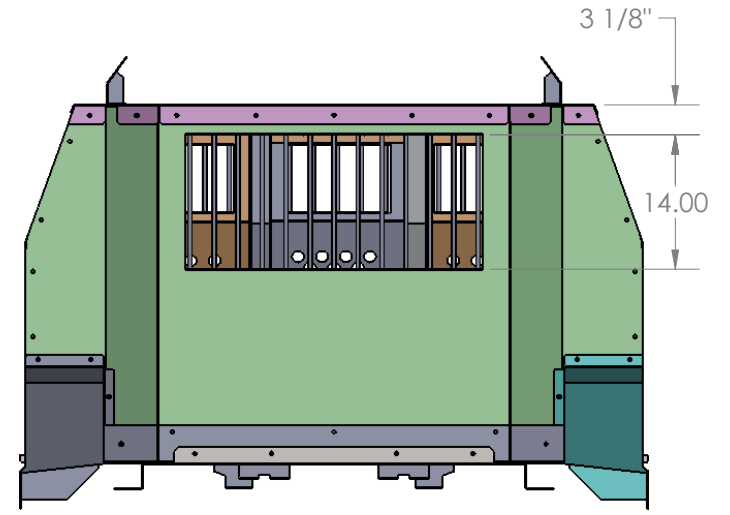
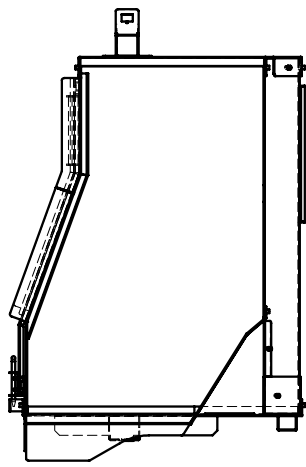
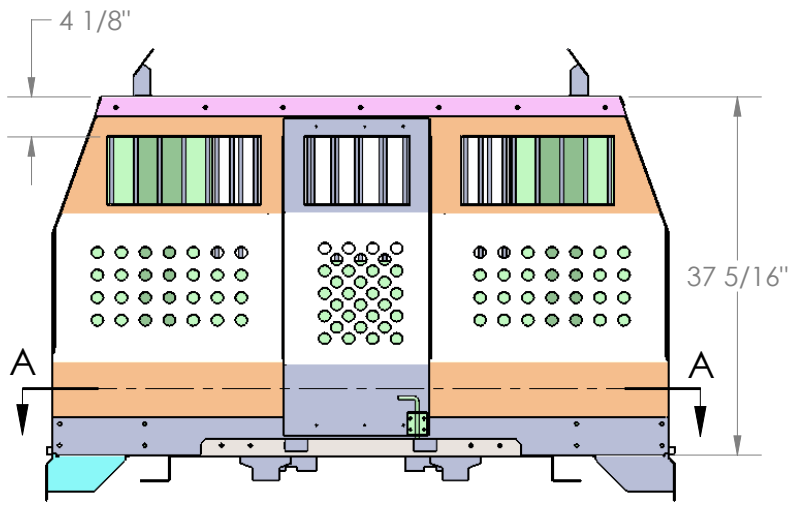
NOTE: 1 pair 14in Light Duty Slides

SEE Sheet 2 for Dimensions

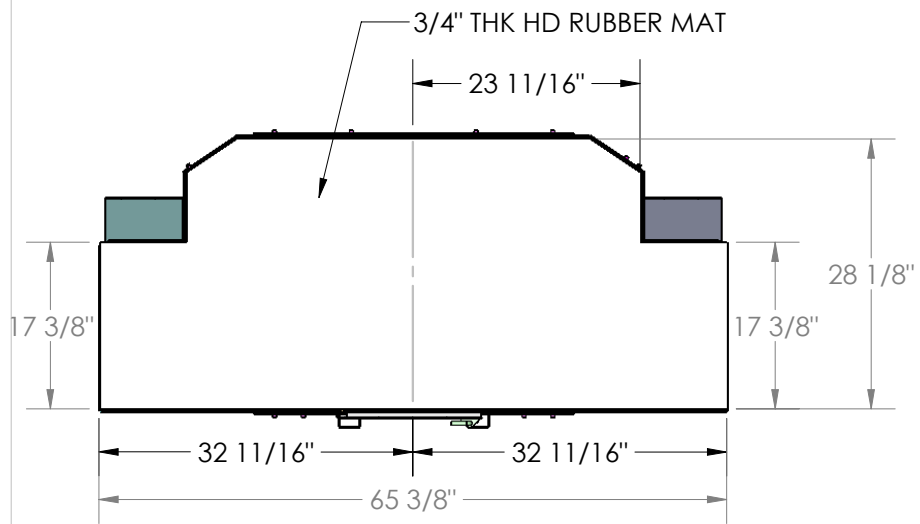
DRAWING APPROVED
NAME: _____
DATE: _____
SIGNATURE: _____

NAME	DATE	ELECTRONICS CO. LTD. DANDR-ANSI-A REV2 APRIL 1, 2009	SIZE
DRAWN	VM		24/05/16
CHECKED	AD	24/05/16	Path: Y:\M\MECH_DATA\934-Files\934-0760A Enforcement K9 Partner Transport Module\ Date: May-25-16 7:40:49 AM File: 934-0760A
THE INFORMATION CONTAINED WITHIN THIS DRAWING IS PROPRIETARY AND CONFIDENTIAL. AND IS THE SOLE PROPERTY OF DandR ELECTRONICS CO. LTD. IT MAY NOT BE REPRODUCED AT WHOLE OR IN PART WITHOUT THE WRITTEN PERMISSION OF DandR ELECTRONICS CO. LTD.		DESCRIPTION: Enforcement K9 Partner Transport Module	
MFG. NO.		934-0760A	CATALOG. NO.
USED ON:		XXX	SHEET 1 OF 2
FINISH	MATERIAL	Alum/ CRS	REV.
			0

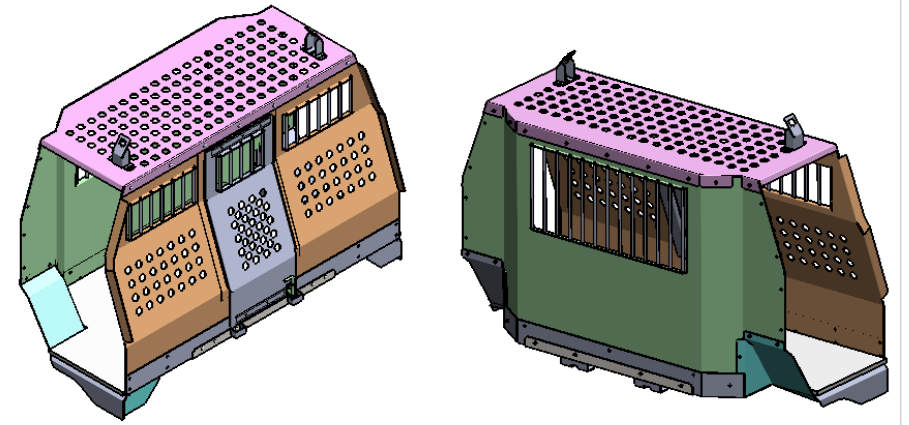
REV.	DESCRIPTION	BY	DATE	APPROVED



K9 Kennel Only



SECTION A-A
SCALE 1 : 20



NAME	DATE	ELECTRONICS CO. LTD.		DANDR-ANSI-A	SIZE
DRAWN	VM	24/05/16		REV2	A
CHECKED	AD	24/05/16	Path: Y:\M\MECH_DATA\934-Files\934-0760A Enforcement K9 Partner Transport Module\ Date: May-25-16 7:40:49 AM File: 934-0760A		
THE INFORMATION CONTAINED WITHIN THIS DRAWING IS PROPRIETARY AND CONFIDENTIAL AND IS THE SOLE PROPERTY OF DANDR ELECTRONICS CO. LTD. IT MAY NOT BE REPRODUCED AT WHOLE OR IN PART WITHOUT THE WRITTEN PERMISSION OF DANDR ELECTRONICS CO. LTD.			DESCRIPTION: Enforcement K9 Partner Transport Module		
MFG. NO.		CATALOG. NO.		REV.	
934-0760A		XXX		0	
FINISH			MATERIAL		SHEET 2 OF 2
White Powder Coated			Alum/ CRS		