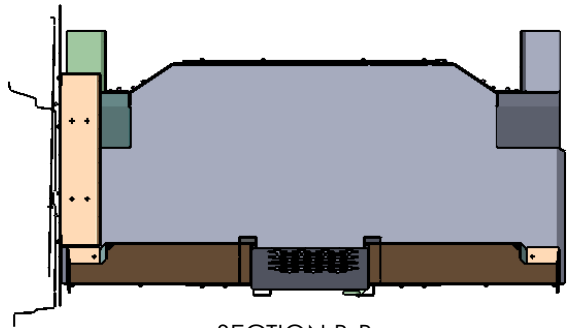
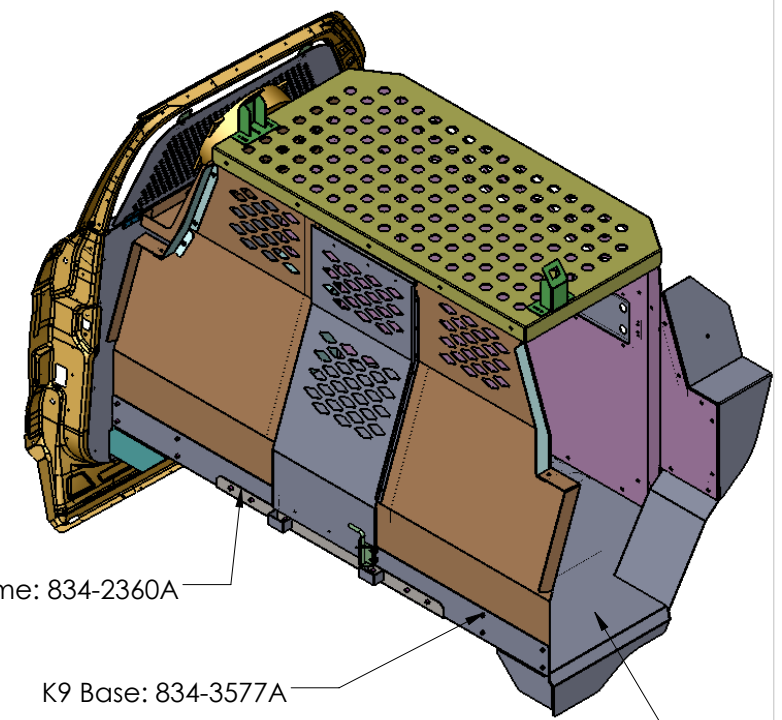
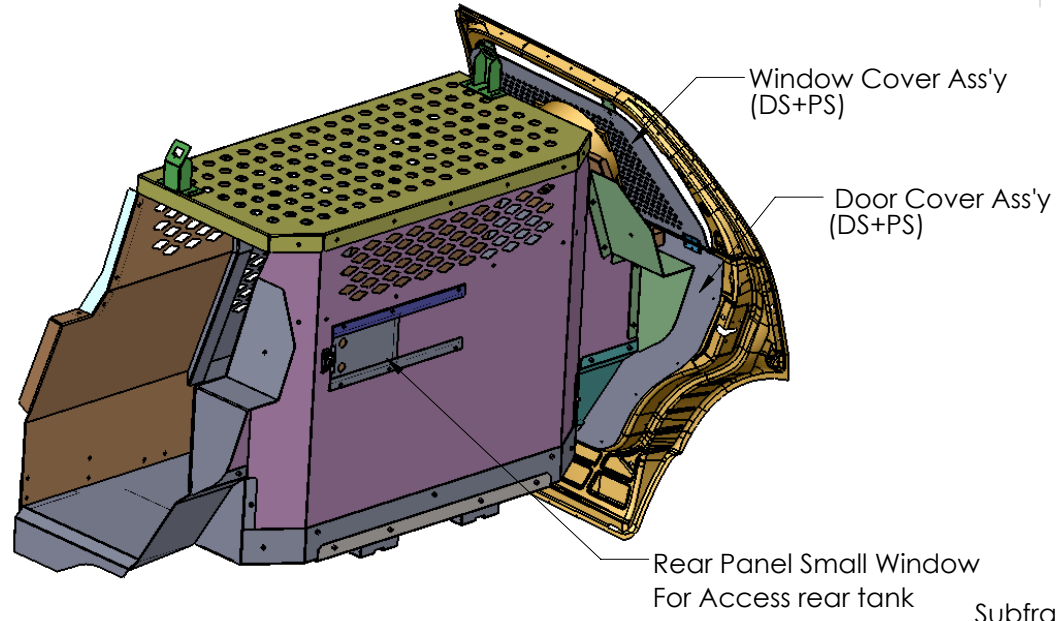


REV.	DESCRIPTION	BY	DATE	APPROVED



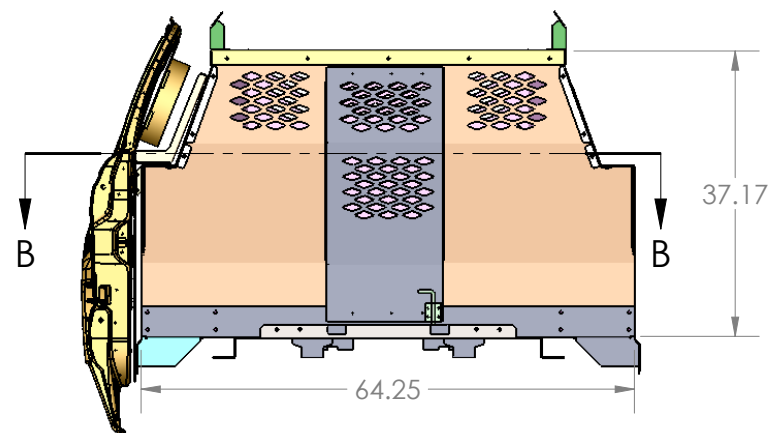
SECTION B-B  
SCALE 1 : 25

- HARDWARE LIST:**
- 91- 1/4-20 X 3/4" ROUND HEAD SCREWS (#401-0000)
  - 107- 1/4-20 LOCK WASHER
  - 107- 1/4-20 FLAT WASHER
  - 14- 1/4-20 ACORN NUTS (#402-0046)  
(6 for sliding door and will pre-installed)
  - 8- 1/4-20 NYLOC NUTS
  - 66 - 3/16" x 3/8" ALUM RIVETS (#406-0027)
  - 6- BUTT HINGES (#400-1022)

3/4" THK RUBBER MAT

One Pair of 14" Light Duty Slide

**NOTE:**  
THE PACKAGE SHOULD INCLUDE:  
1. DS&PS DOOR COVERS.  
2. DS&PS WINDOW GUARDS  
3. EXIT COVER & SUPPORT FOR DS&PS.



NAME	DATE	DandR ELECTRONICS CO., LTD.		DANDR-ANSI-A	SIZE
DRAWN	MQ	30SEPT16	REV2		A
CHECKED	AD	30SEPT16	APRIL 1, 2009		
Path: Y:\M\MECH_DATA\934-Files\K9-934-0766A\ File: 934-0779A Date: Friday, September 30, 2016 10:28:04 AM DESCRIPTION: <b>K9 Kennel Ford Explorer Airbag Complied</b>					
MFG. NO.		934-0779A		CATALOG. NO. XXX	
USED ON:				SHEET 1 OF 2	
FINISH		MATERIAL		REV.	
Black Midnight Wrinkle		0.125" /0.09" ALUM; 12 GA CRS		0	