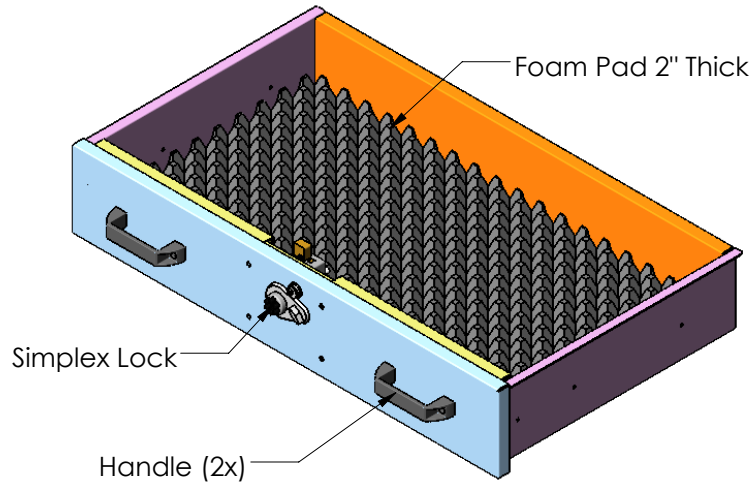
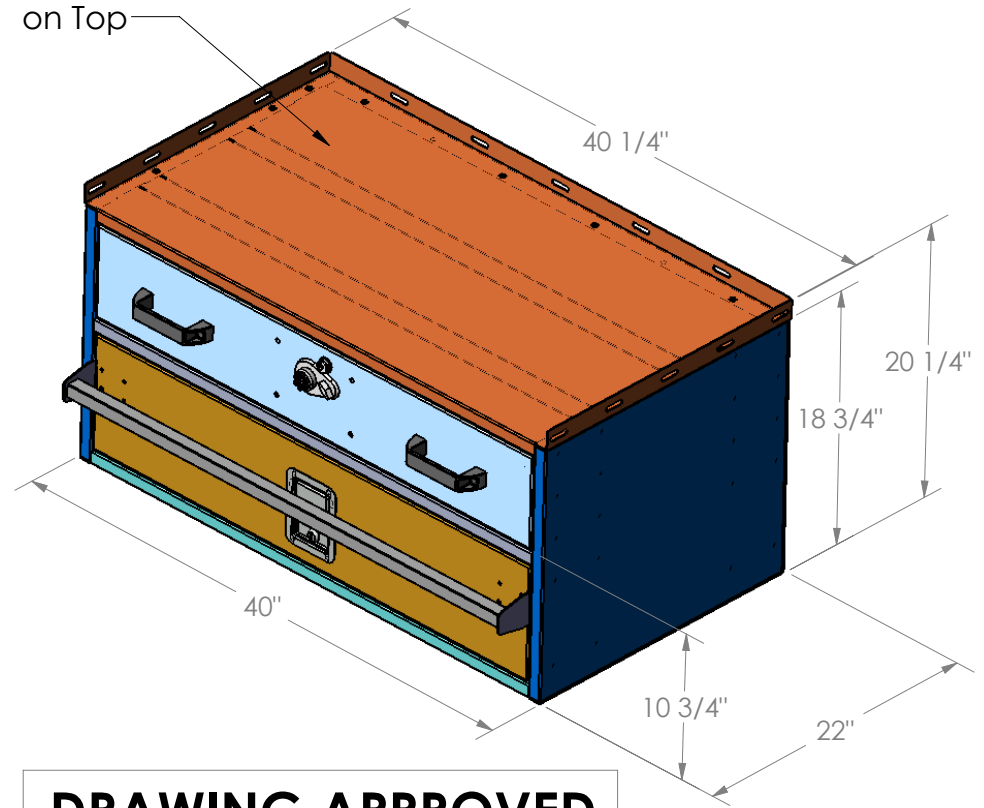


REV.	DESCRIPTION	DATE	APPROVED
------	-------------	------	----------

Place Rubber on Top



Foam Pad 2" Thick

Simplex Lock

Handle (2x)

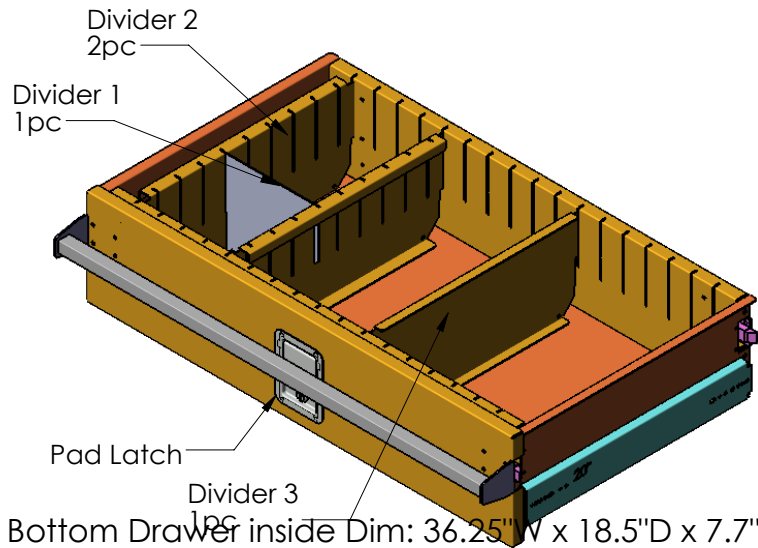
Upper Gun Drawer inside Dim Before Foam:  
36.25"W x 18.5"D x 6.0"H

**DRAWING APPROVED**

**NAME:**

**DATE:**

**SIGNATURE:** \_\_\_\_\_



Divider 2  
2pc

Divider 1  
1pc

Pad Latch

Divider 3  
1pc

Bottom Drawer inside Dim: 36.25"W x 18.5"D x 7.7"H

DIMENSIONS ARE IN INCHES  
TOLERANCES:  
FRACTIONAL ± 1/32  
ANGULAR: ± .10°  
TWO PLACE DECIMAL ± .010  
THREE PLACE DECIMAL ± .005

MATERIAL

FINISH

Midnight Black Wrinkle

	NAME	DATE
DRAWN	MQ	07Nov16
CHECKED	AD	07Nov16
ENG APPR.		
MFG APPR.		
Q.A.		
COMMENTS:		



**Custom Cabinet with Bottom  
drawer plus top gun drawer  
(40"W x 22"D x 18.84"H)**

Path: Y:\M\MECH\_DATA\934-Files\934-0780A PPS Custom Cabinet\  
File: 934-0780A  
Date: Tuesday, November 08, 2016 2:42:31 PM

SIZE	DWG. NO.	REV.
<b>A</b>	934-0780A	<b>0</b>

USED ON:

SHEET 1 OF 1