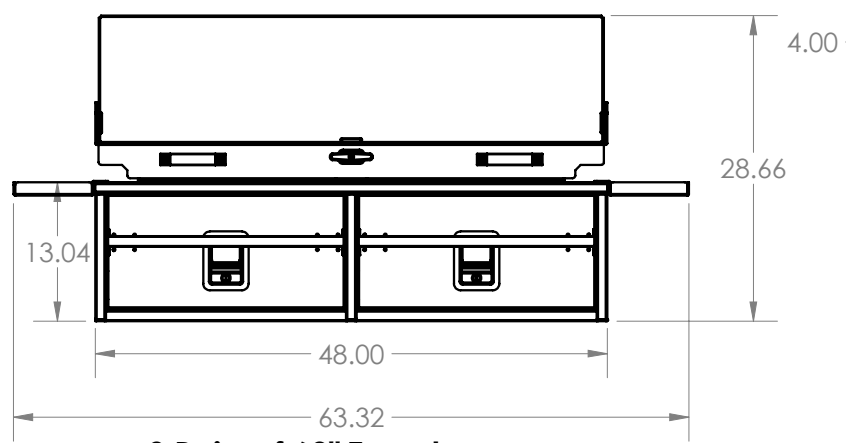
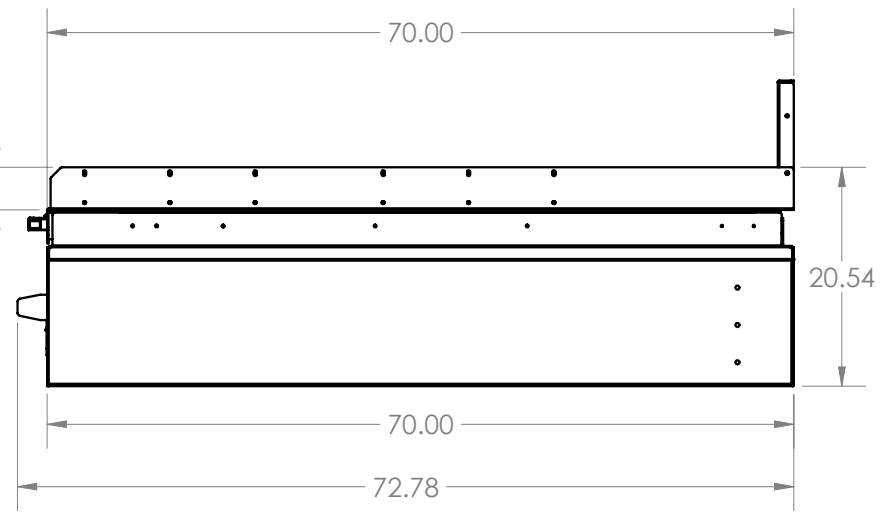


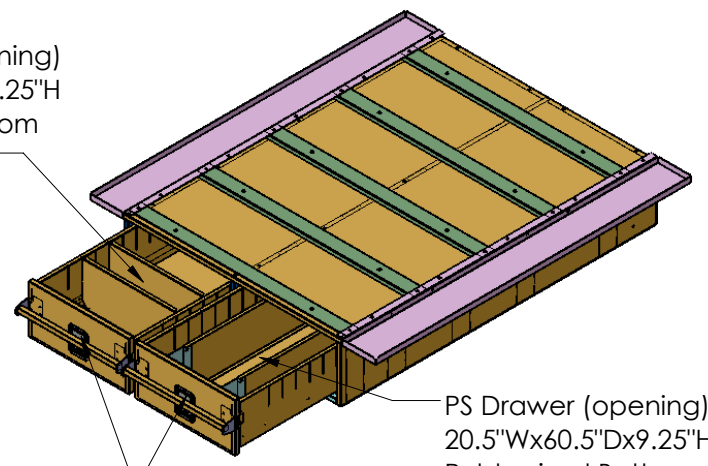
REV.	DESCRIPTION	DCR	BY	DATE	APPROVED
------	-------------	-----	----	------	----------



3 Pairs of 60" Travel Heavy Duty Slide

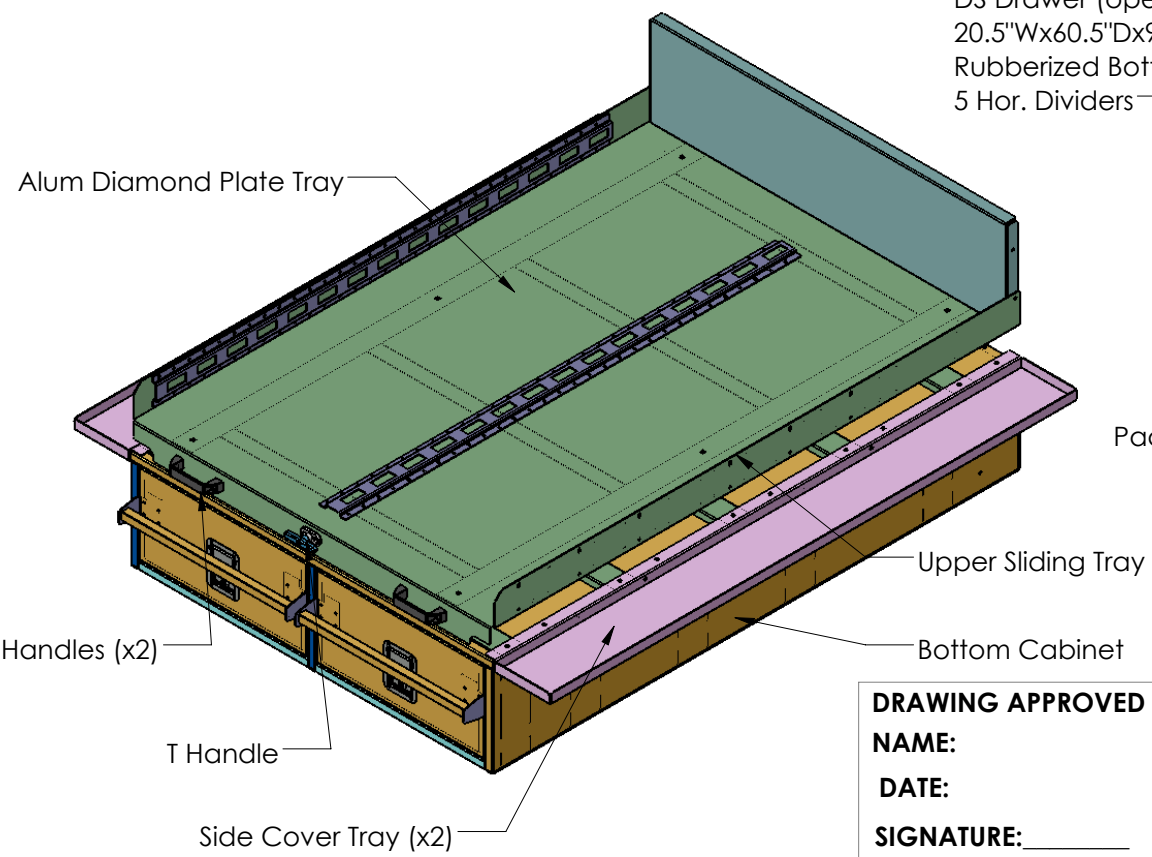


DS Drawer (opening)
20.5"Wx60.5"Dx9.25"H
Rubberized Bottom
5 Hor. Dividers



PS Drawer (opening)
20.5"Wx60.5"Dx9.25"H
Rubberized Bottom
2 Ver. Dividers

Pad Latch



DRAWING APPROVED
NAME: _____
DATE: _____
SIGNATURE: _____

DRAWN	NAME MS	DATE 14/2/17	 DandR ELECTRONICS CO., LTD. Path: C:\Users\mstocco\Desktop\934-0793A\ File: 934-0793A-Approval Date: February-15-17 9:04:11 AM	DANDR-ANSI-A REV2 APRIL 1,2009	SIZE A
CHECKED				DESCRIPTION: Custom Storage System 2 Drawer Cabinet with Top Slide Deck For Ford F150 6.5FT Box	MFG. NO. 934-0793A-Approval
THE INFORMATION CONTAINED WITHIN THIS DRAWING IS PROPRIETARY AND CONFIDENTIAL AND IS THE SOLE PROPERTY OF DandR ELECTRONICS CO. LTD. IT MAY NOT BE REPRODUCED AT WHOLE OR IN PART WITHOUT THE WRITTEN PERMISSION OF DandR ELECTRONICS CO. LTD.			USED ON:		SHEET 1 OF 1
FINISH MIDNIGHT BLACK WRINKLE	MATERIAL Cabinet:0.09" Alum 1/8" Alum Diamond Plate for Slide			REV. 0	