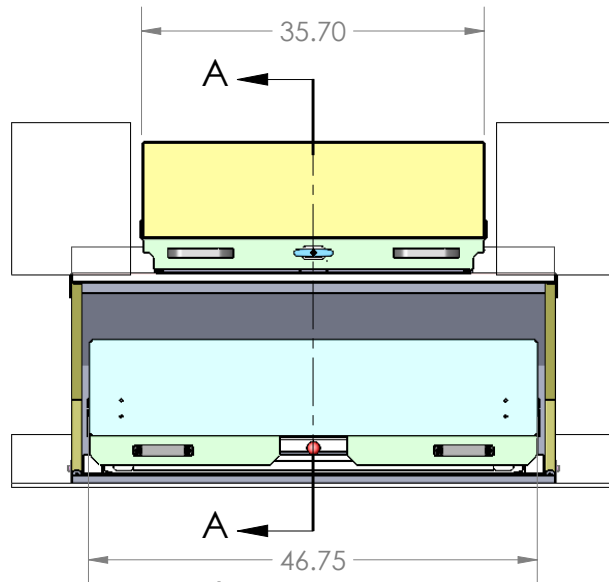


DRAWING APPROVED

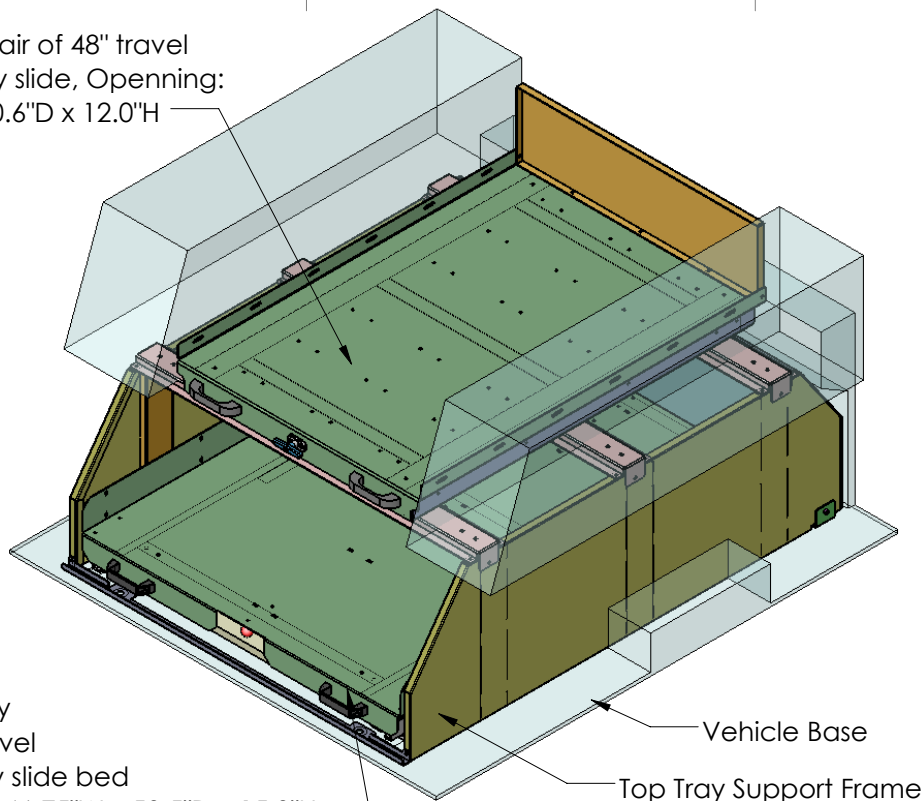
NAME:

DATE:

SIGNATURE: _____

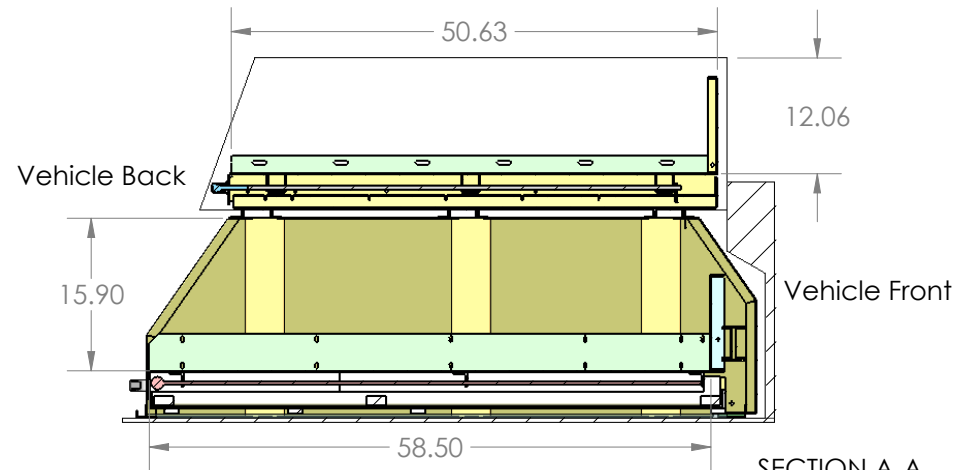


Top Tray
with one pair of 48" travel
heavy duty slide. Opening:
35.7"W x 50.6"D x 12.0"H

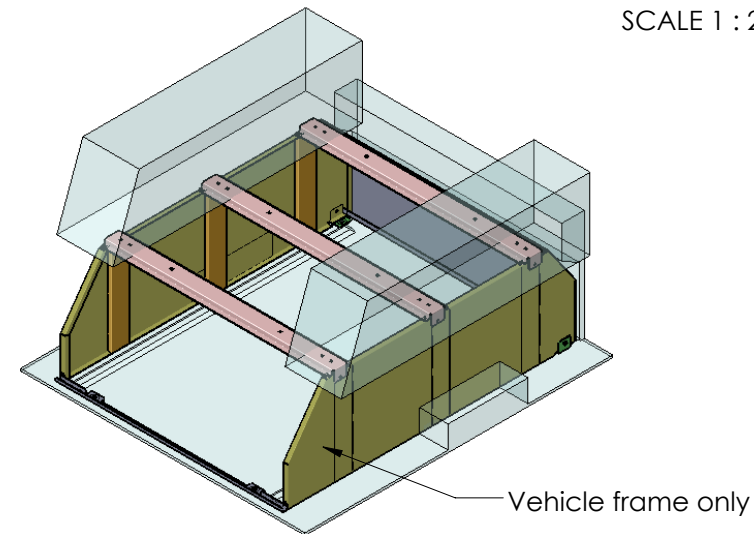


Bottom Tray
with 60" travel
heavy duty slide bed
Opening: 46.75"W x 58.5"D x 15.9"H

REV.	DESCRIPTION	BY	DATE	APPROVED
------	-------------	----	------	----------



SECTION A-A
SCALE 1 : 20



NAME	DATE	DESCRIPTION	SIZE
MQ	21MAR17	DANDR-ANSI-A REV2 APRIL 1, 2009	A
AD	21MAR17	Path: C:\MDesign\Custom Dual Slide out\ File: 934-0799A Date: Tuesday, March 21, 2017 3:00:24 PM	
<p>THE INFORMATION CONTAINED WITHIN THIS DRAWING IS PROPRIETARY AND CONFIDENTIAL. AND IS THE SOLE PROPERTY OF DandR ELECTRONICS CO. LTD. IT MAY NOT BE REPRODUCED AT WHOLE OR IN PART WITHOUT THE WRITTEN PERMISSION OF DandR ELECTRONICS CO. LTD.</p> <p>Dual slide out cargo system for Ford 2017 F-150</p>			
MFG. NO.	934-0799A	CATALOG. NO.	XXX
USED ON:			SHEET 1 OF 2
FINISH	Black Midnight Wrinkle	MATERIAL	0.09" / 1/8" THK ALUM
		REV.	0

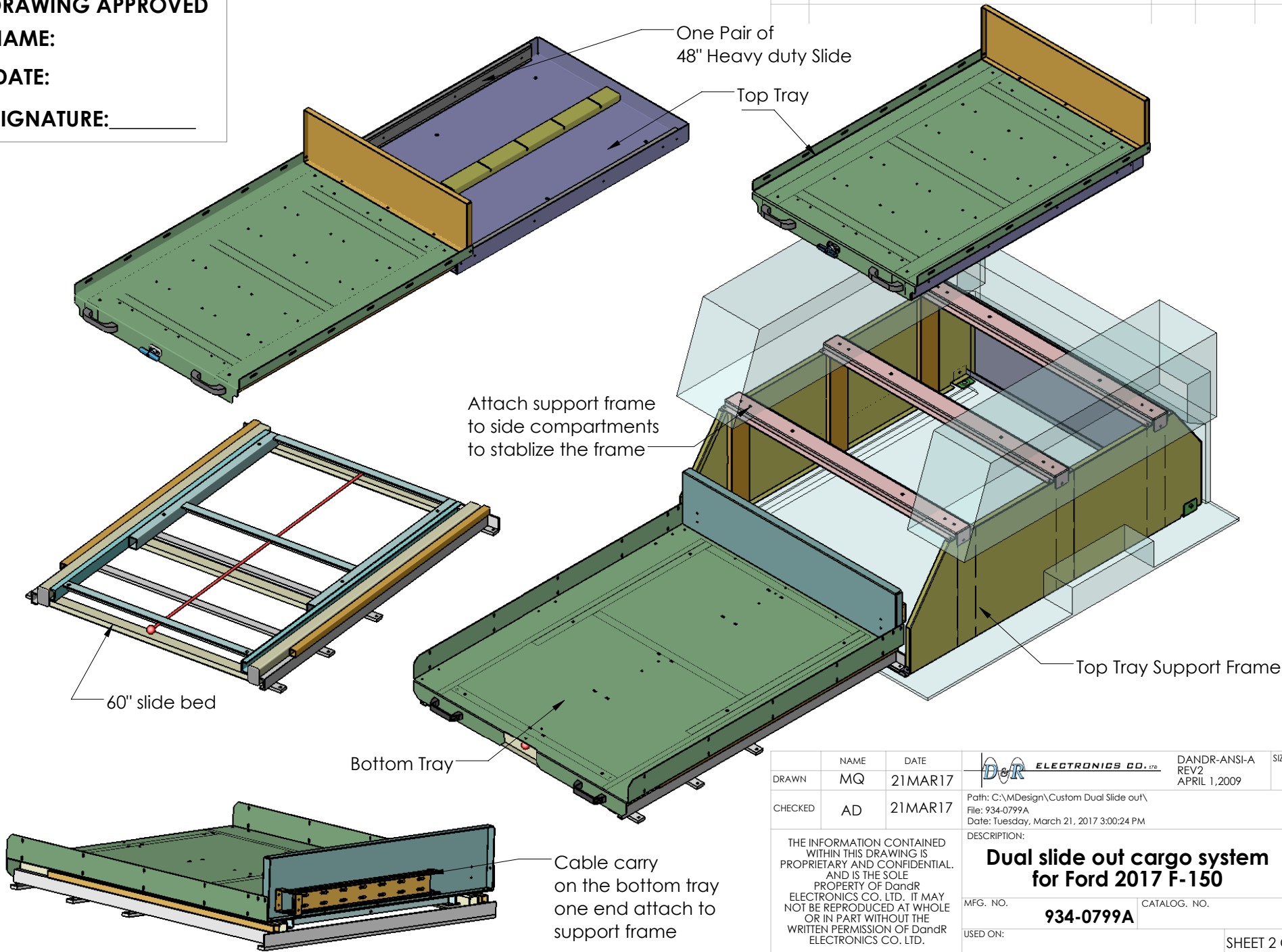
DRAWING APPROVED

NAME:

DATE:

SIGNATURE: _____

REV.	DESCRIPTION	BY	DATE	APPROVED



NAME	DATE	ELECTRONICS CO., LTD. DANDR-ANSI-A REV2 APRIL 1, 2009	SIZE
DRAWN	21MAR17		A
CHECKED	21MAR17	Path: C:\MDesign\Custom Dual Slide out\ File: 934-0799A Date: Tuesday, March 21, 2017 3:00:24 PM	
THE INFORMATION CONTAINED WITHIN THIS DRAWING IS PROPRIETARY AND CONFIDENTIAL AND IS THE SOLE PROPERTY OF DandR ELECTRONICS CO. LTD. IT MAY NOT BE REPRODUCED AT WHOLE OR IN PART WITHOUT THE WRITTEN PERMISSION OF DandR ELECTRONICS CO. LTD.		DESCRIPTION: Dual slide out cargo system for Ford 2017 F-150	
MFG. NO.	934-0799A	CATALOG. NO.	
USED ON:			SHEET 2 OF 2
FINISH	Black Midnight Wrinkle	MATERIAL	REV. 0
		0.09" / 1/8" THK ALUM	