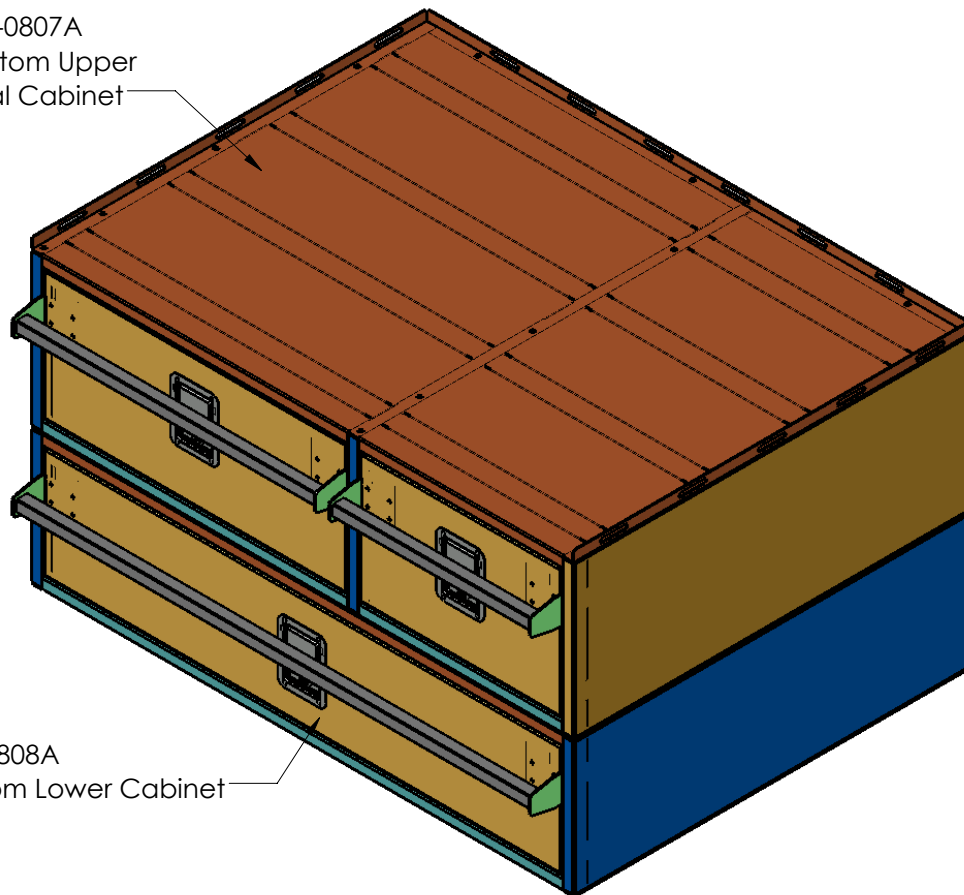


934-0807A  
Custom Upper  
Dual Cabinet



934-0808A  
Custom Lower Cabinet

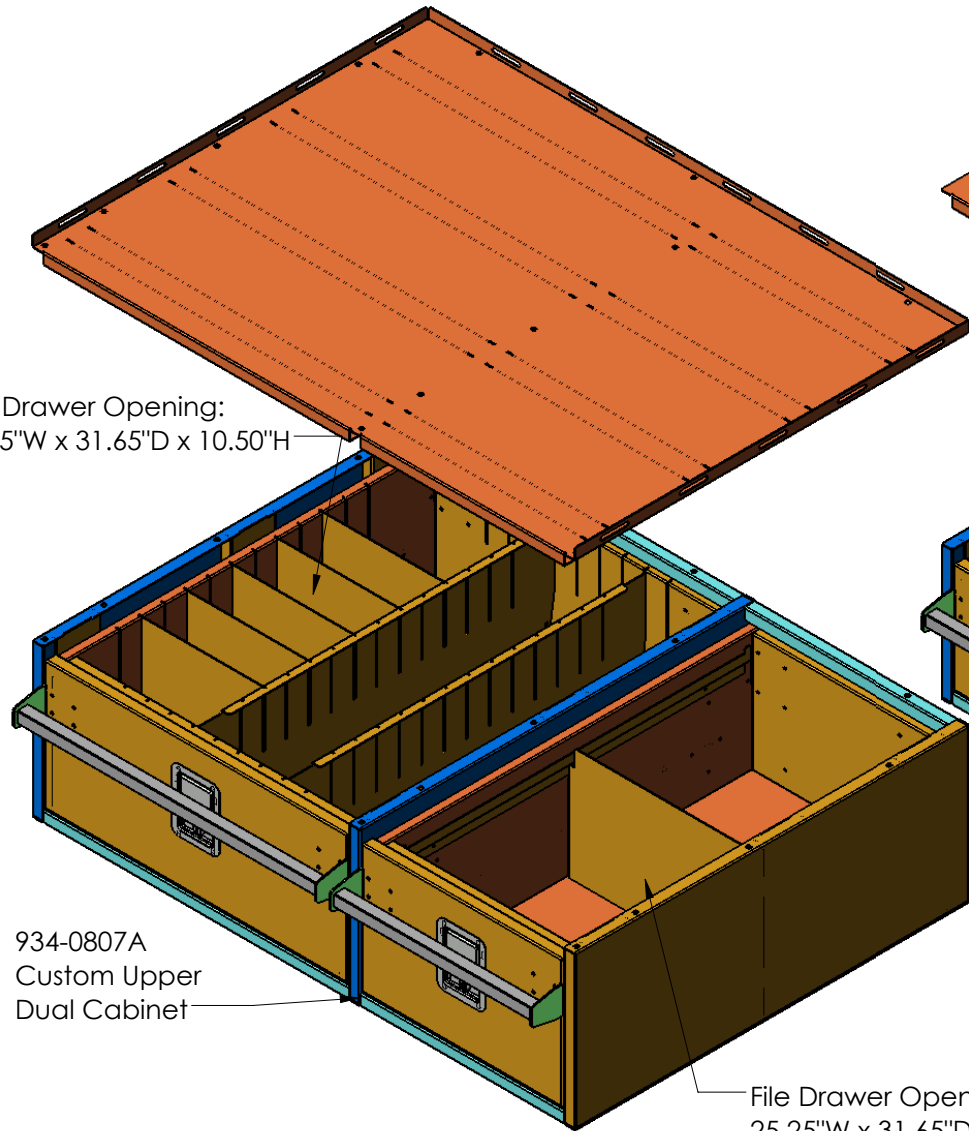
**3 Pair of Heavy Duty 32" Slides  
For both top and bottom cabinets**

**This storage fits with 933-0111A subframe  
(not included)**

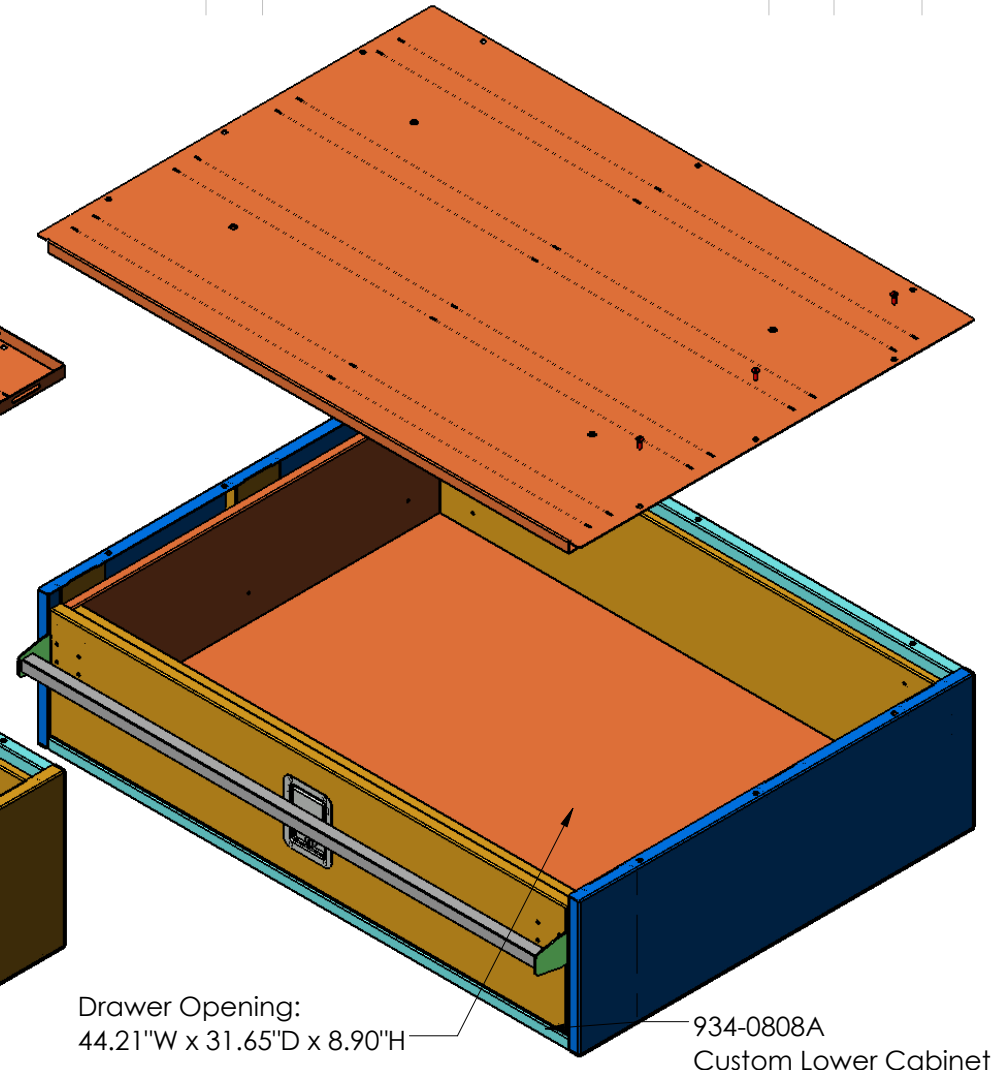
NAME	DATE	DESCRIPTION	BY	DATE	APPROVED	SIZE
DRAWN	MQ	08MAY17				A
CHECKED	AD	08MAY17				
THE INFORMATION CONTAINED WITHIN THIS DRAWING IS PROPRIETARY AND CONFIDENTIAL. AND IS THE SOLE PROPERTY OF DandR ELECTRONICS CO. LTD. IT MAY NOT BE REPRODUCED AT WHOLE OR IN PART WITHOUT THE WRITTEN PERMISSION OF DandR ELECTRONICS CO. LTD.		<b>Custom Storage Solution            For 2017 chevy Tahoe</b>		DANDR-ANSI-A REV2 APRIL 1, 2009		
MFG. NO. <b>934-0806A</b>		CATALOG. NO. <b>XXX</b>		USED ON:		SHEET 1 OF 2
FINISH Midnight Black Wrinkle		MATERIAL 0.090" / 0.125" THK ALUM		REV.		<b>0</b>

REV.	DESCRIPTION	BY	DATE	APPROVED

Left Drawer Opening:  
25.25"W x 31.65"D x 10.50"H



Drawer Opening:  
44.21"W x 31.65"D x 8.90"H



File Drawer Opening:  
25.25"W x 31.65"D x 10.50"H

DRAWN	NAME MQ	DATE 08MAY17	<b>ELECTRONICS CO., LTD.</b> DANDR-ANSI-A REV2 APRIL 1, 2009	SIZE <b>A</b>
CHECKED	AD	08MAY17		Path: Y:\M\MECH_DATA\934-Files\934-0806A Custom Stor 2017 Tahoe\ File: 934-0806A Date: Friday, May 12, 2017 11:11:03 AM
THE INFORMATION CONTAINED WITHIN THIS DRAWING IS PROPRIETARY AND CONFIDENTIAL. AND IS THE SOLE PROPERTY OF DANDR ELECTRONICS CO. LTD. IT MAY NOT BE REPRODUCED AT WHOLE OR IN PART WITHOUT THE WRITTEN PERMISSION OF DANDR ELECTRONICS CO. LTD.			<b>DESCRIPTION:</b> <b>Custom Storage Solution          For 2017 chevy Tahoe</b>	
FINISH Midnight Black Wrinkle			MFG. NO. <b>934-0806A</b>	CATALOG. NO. XXX
MATERIAL 0.090" / 0.125" THK ALUM			USED ON:	SHEET 2 OF 2
			REV. 0	