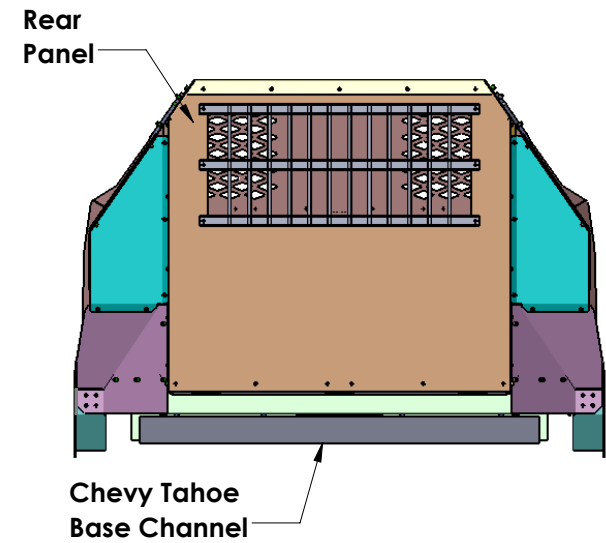
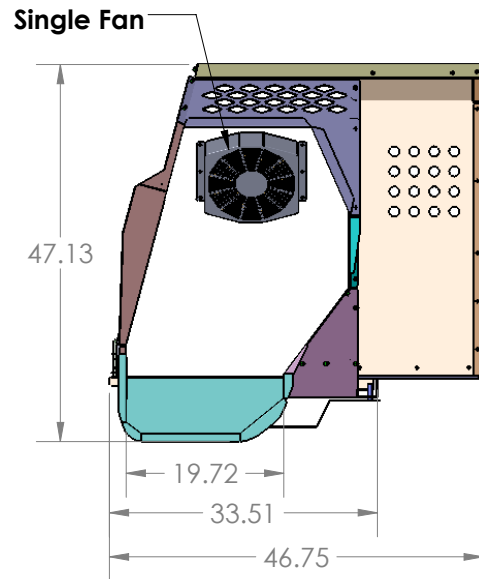
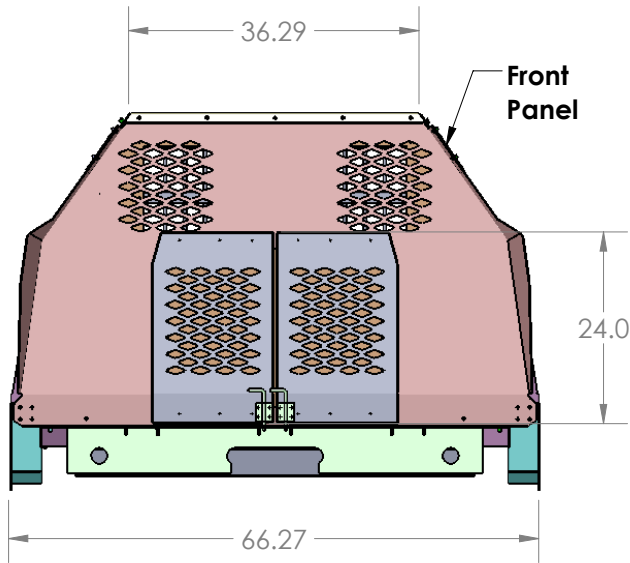
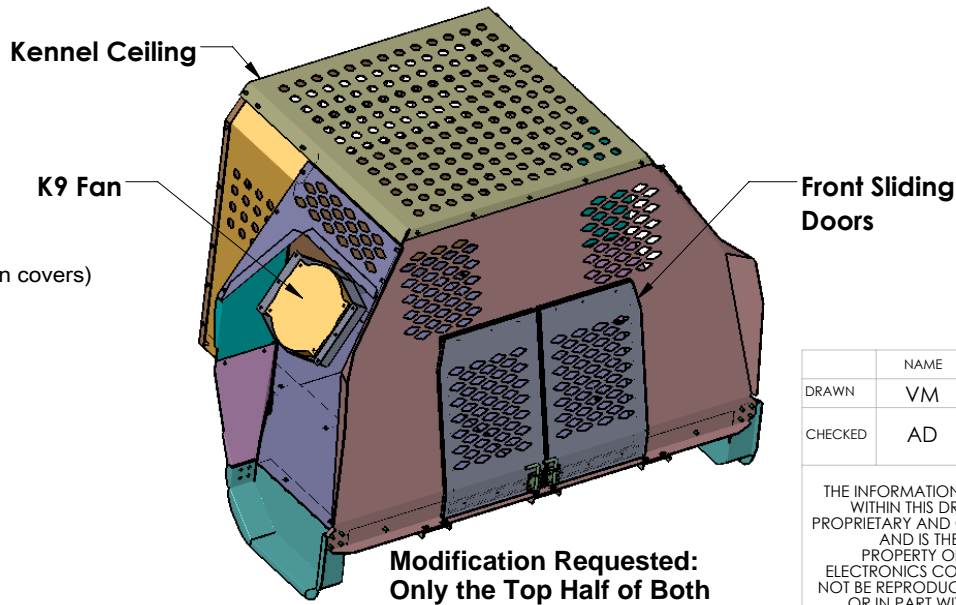


REV.	DESCRIPTION	NCR#	DCR#	BY	DATE	APPROVED

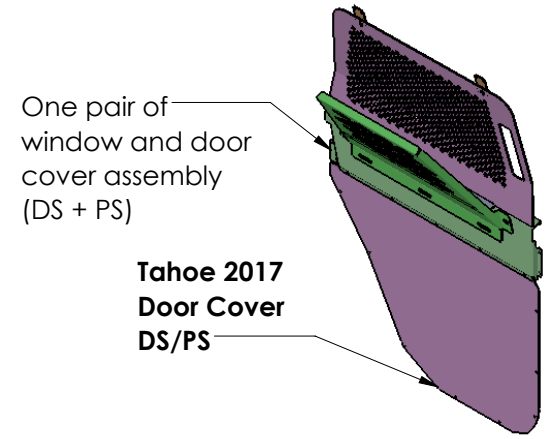


**DRAWING APPROVED**  
**NAME:** \_\_\_\_\_  
**DATE:** \_\_\_\_\_  
**SIGNATURE:** \_\_\_\_\_

- Hardware List:**  
75 Sets of (61 for kennel; 14 for win covers)  
1/4-20 x 3/4" Hex Head Screws  
1/4-20 Lock Washer  
1/4-20 Flat Washer  
6 Sets of (for kennel)  
1/4-20 x 1" Carriage Bolts  
1/4-20 Flat Washers  
1/4-20 Nyloc Nuts  
14 Sets of (for win cover)  
1/4-20 Flat Washers  
1/4-20 Nyloc Nuts  
6 Sets of (for kennel)  
#10-32 x 1/2" Flat Head Screws  
34- 3/16" GP3/8" Alum Rivets (for win cover)  
4-#1/4-20 Fender Washers(for win cover)



**Modification Requested:**  
**Only the Top Half of Both Doors to have the Vent Holes, the Lower Half Solid.**



NAME	DATE	FILE	REV	DATE	DESCRIPTION	SIZE
VM	06/02/17	934-0810A	REV2	APRIL 1, 2009	Tahoe 2017 K9 Double Dogs Kennel	A
AD	06/02/17	934-0810A	REV2	APRIL 1, 2009	Tahoe 2017 K9 Double Dogs Kennel	A

<p>THE INFORMATION CONTAINED WITHIN THIS DRAWING IS PROPRIETARY AND CONFIDENTIAL. AND IS THE SOLE PROPERTY OF DANDR ELECTRONICS CO., LTD. IT MAY NOT BE REPRODUCED AT WHOLE OR IN PART WITHOUT THE WRITTEN PERMISSION OF DANDR ELECTRONICS CO., LTD.</p>		<p><b>Tahoe 2017 K9 Double Dogs Kennel</b></p>
MFG. NO.	934-0810A	CATALOG. NO.
USED ON:	-	SHEET 1 OF 1
FINISH	none	REV. 0
MATERIAL	ALUM/CRS	